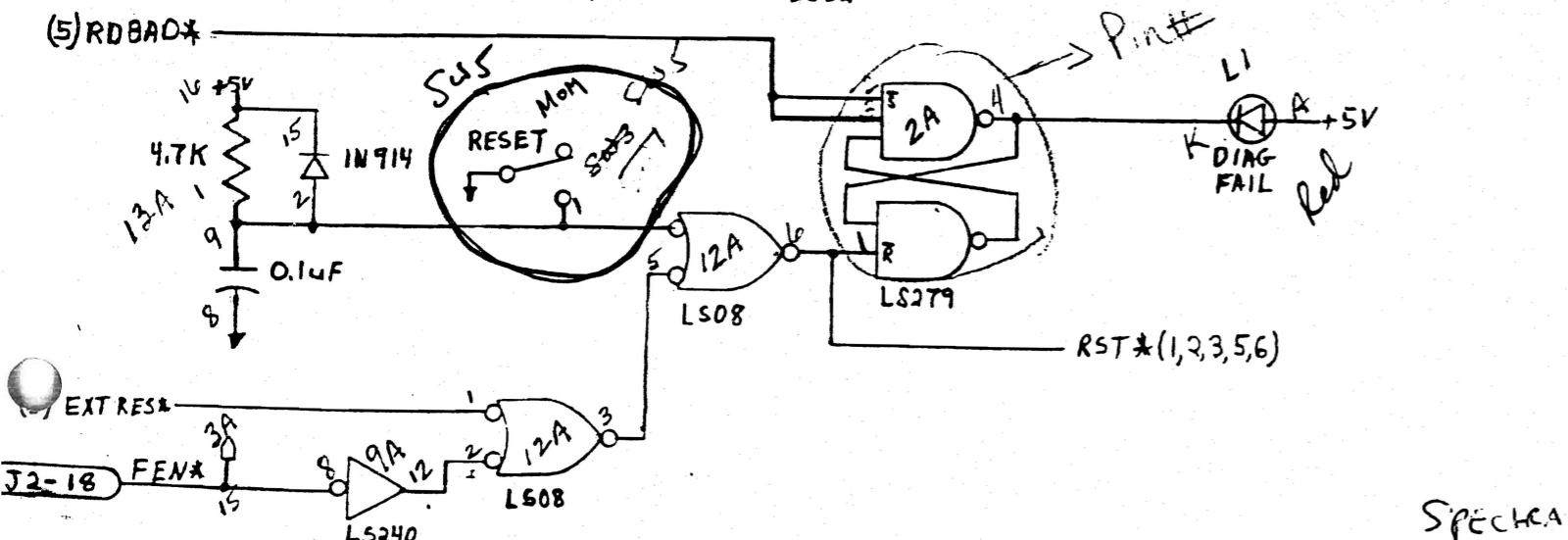
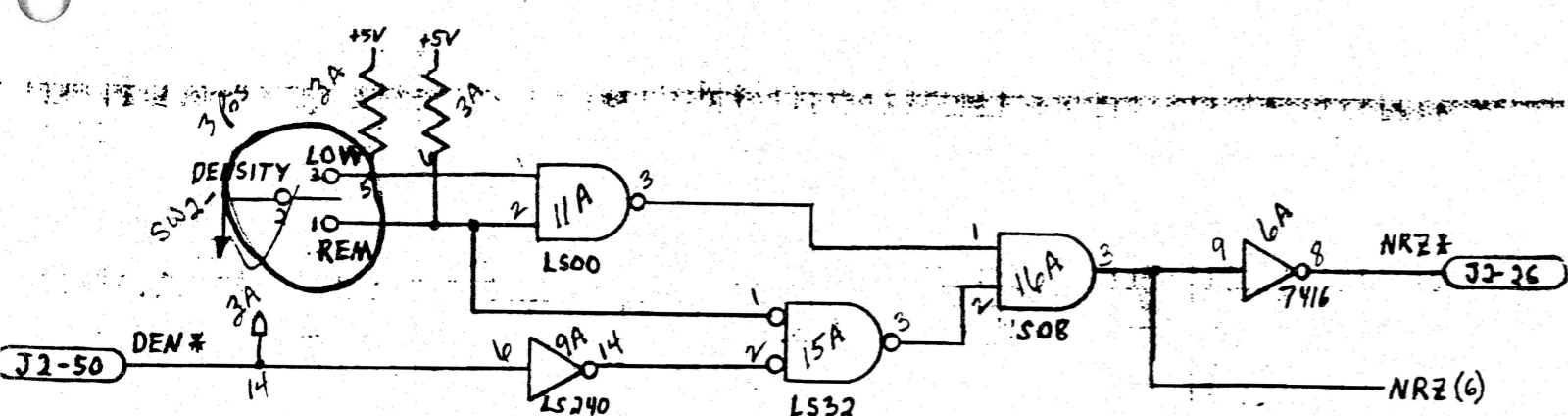
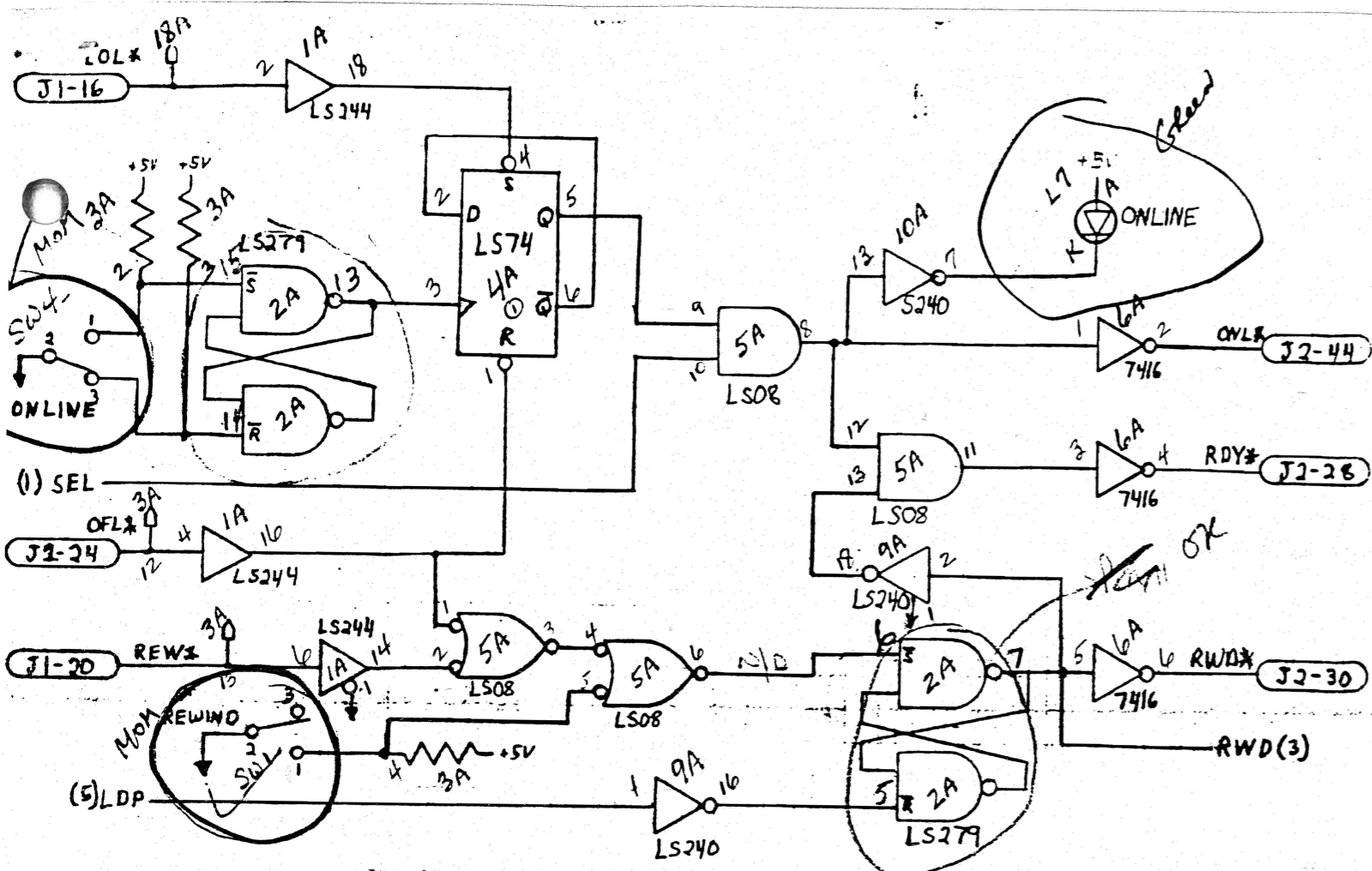
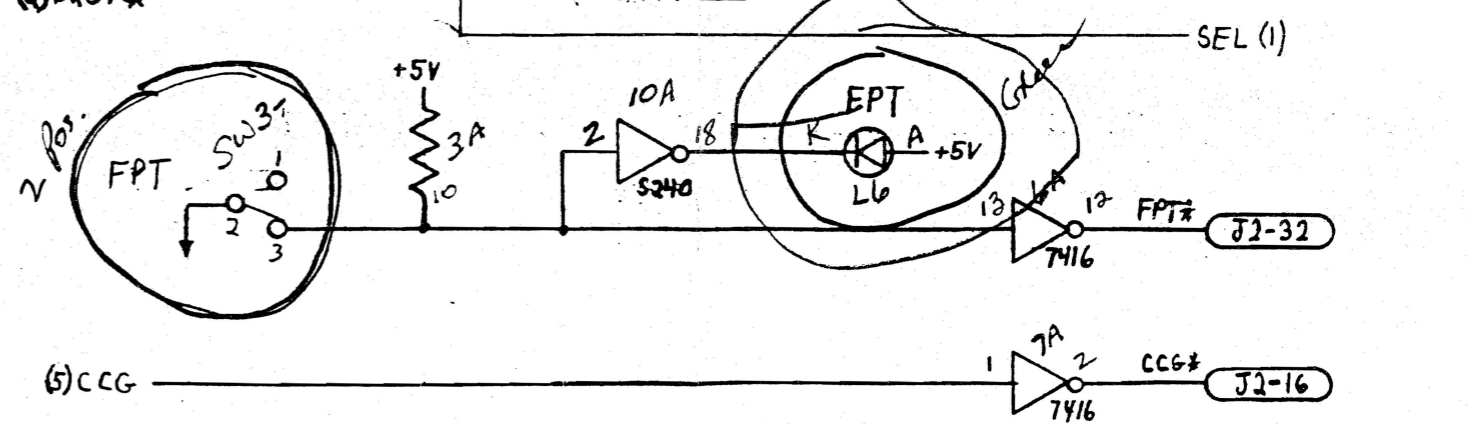
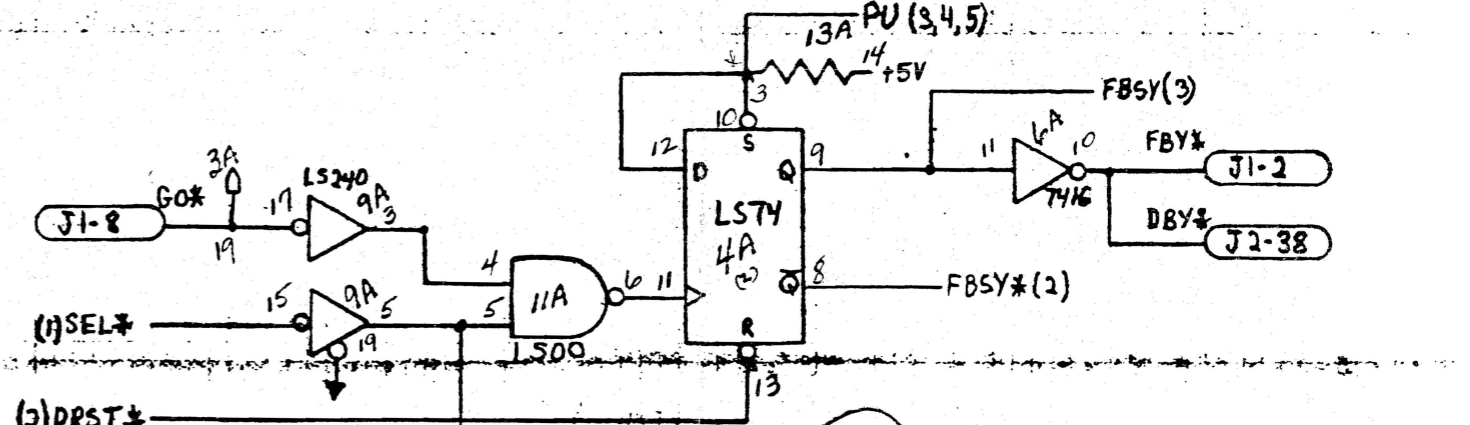
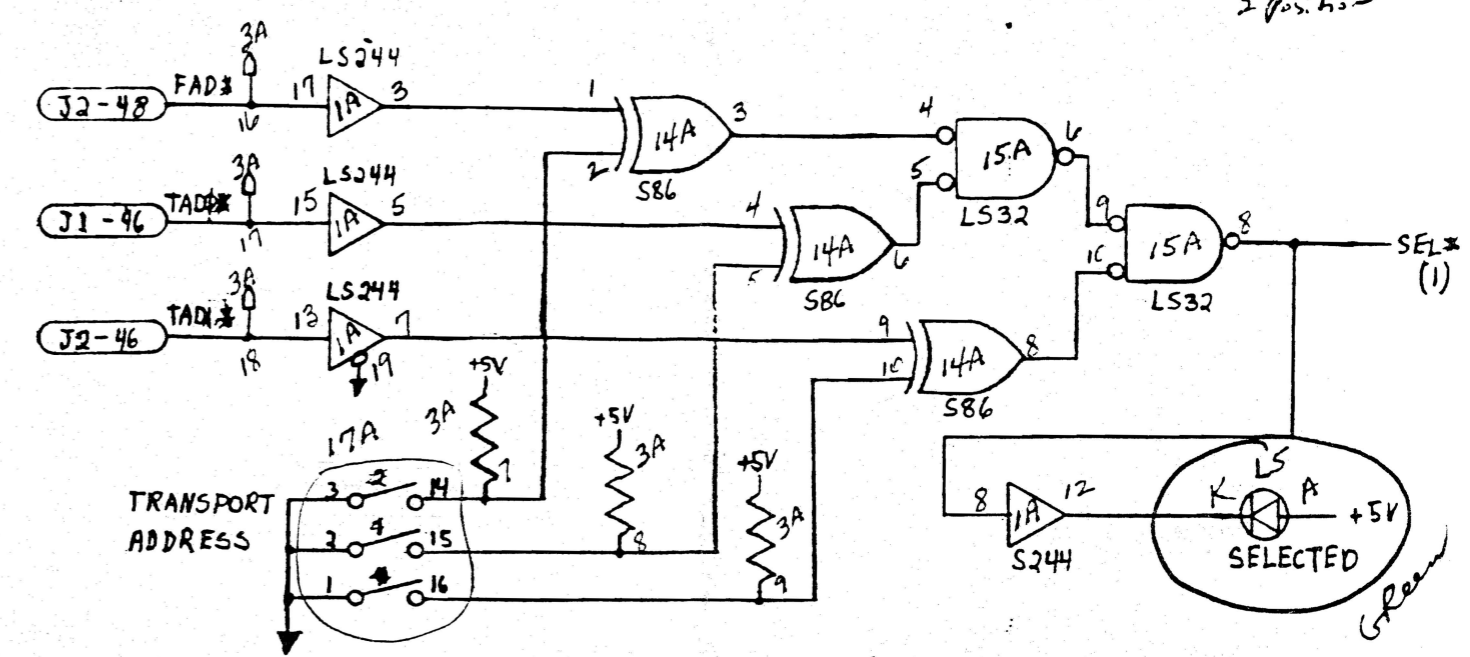


A					B					C					D					E					F									
5	4	3	2	1	5	4	3	2	1	5	4	3	2	1	5	4	3	2	1	5	4	3	2	1	5	4	3	2	1					
LS 08 Full	LS 74 1,2	✓ 1Kx8 220/330 (Full)	LS 279 ✓	LS 244 ✓		(4B) ✓ 1Kx8		(2B) ✓ 1Kx8			(4C) ✓ 1Kx8		LS 273 ✓			(4D) ✓		(2D)		416-15 ✓	416-15 ✓	416-15 ✓	416-15 ✓	416-15 ✓						416-15 458 G-16				
S 240 LS 1,2,3,4	LS 240 Full ✓	7416 1,	7416 Full	7416 Full		(9B) ✓ 1Kx8		(7B) ✓ 1Kx8		LS 32 1,2,11	20 MHz OSC	S 113 S 139 ✓				40 PIN		40 PIN		416-15 ✓	416-15 ✓	416-15 ✓	416-15 ✓	416-15 ✓										
LS 32 4,3 1,2	S 86 4,3 1,2	✓ Header 16 Pin V-16 G-5	LS 08 4,3 1,2	LS 00 3 1,2						LS 174 ✓	LS 273 ✓	LS 174 ✓	LS 273 ✓	11		(14D)		(12D)		14 1-8 ✓		13 403	12 416-15 416-15 416-15	11 416-15 416-15										
LS 240 1,2,3,4	LS 240 Full ✓	220/330 Full ✓	SW 8 Pos 1,11	SC 8 1,2	20 1Kx8 ✓	2911	2911	2911	LS 244 ✓	LS 373 ✓	LS 373 ✓	LS 374 ✓	LS 374 ✓			40 PIN		40 PIN																
LS 373 ✓	LS 374 ✓	LS 374 ✓	S 280 6 200 300	LS 74	S 251 ✓	S 251 ✓	S 86 1,	S 174 ✓	LS 244 ✓	LS 174 ✓	7416	LS 174 ✓	7416		LS 174 ✓	S 280	S 280	LS 374 ✓	LS 374 ✓															

SW1
104
SW2
W103
3 Pos
SW3
104
2 Pos
101
102
103
104
105
106
107
108
109
110
111
112
113
114
115
116
117
118
119
120

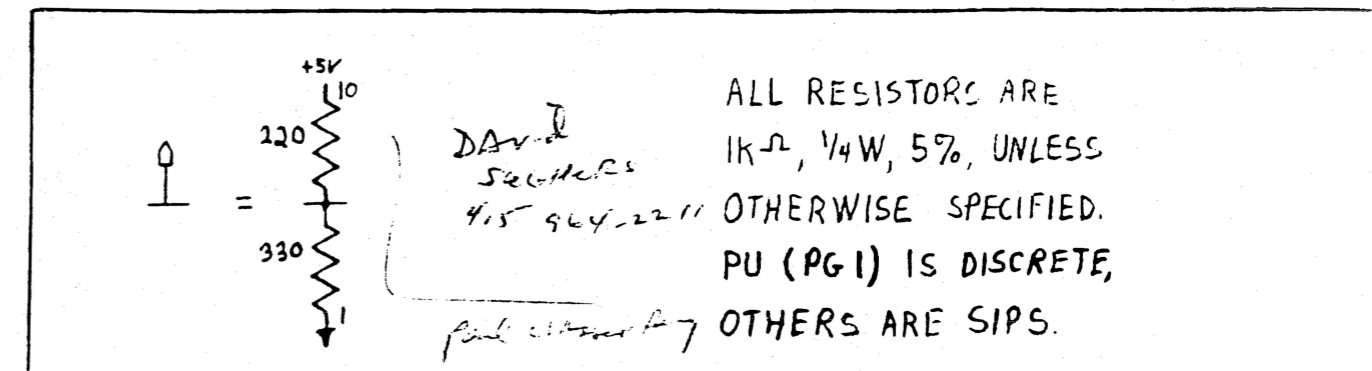


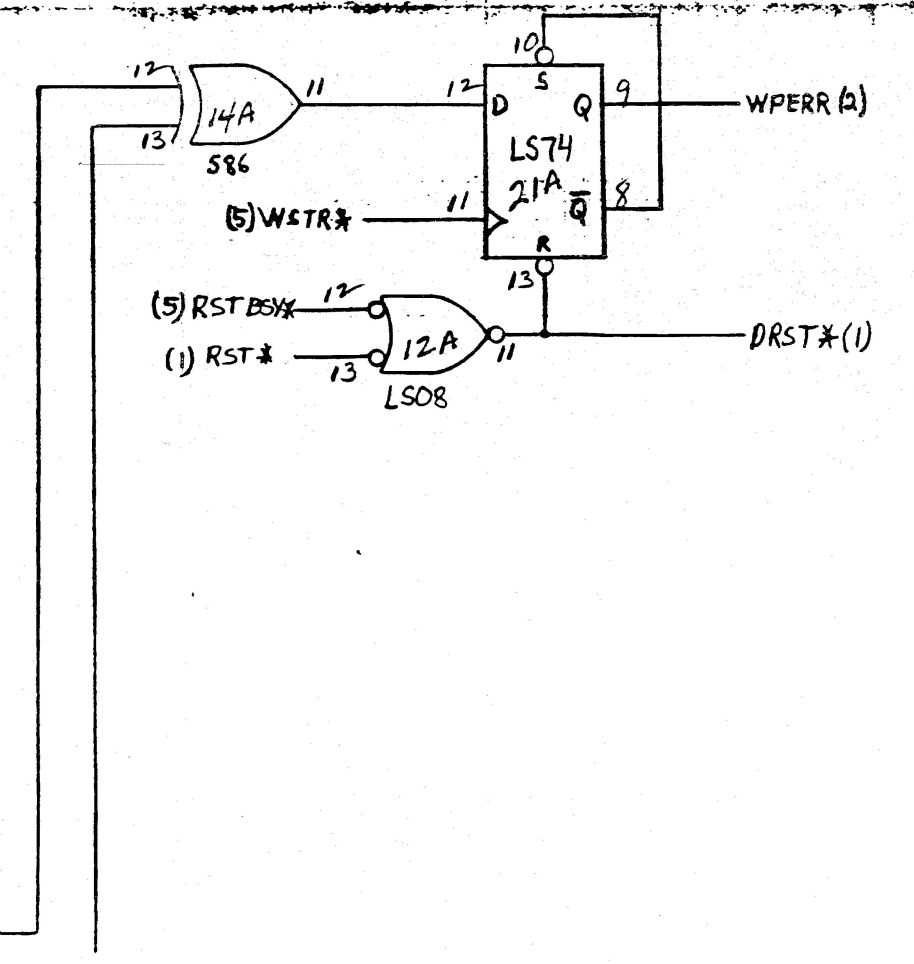
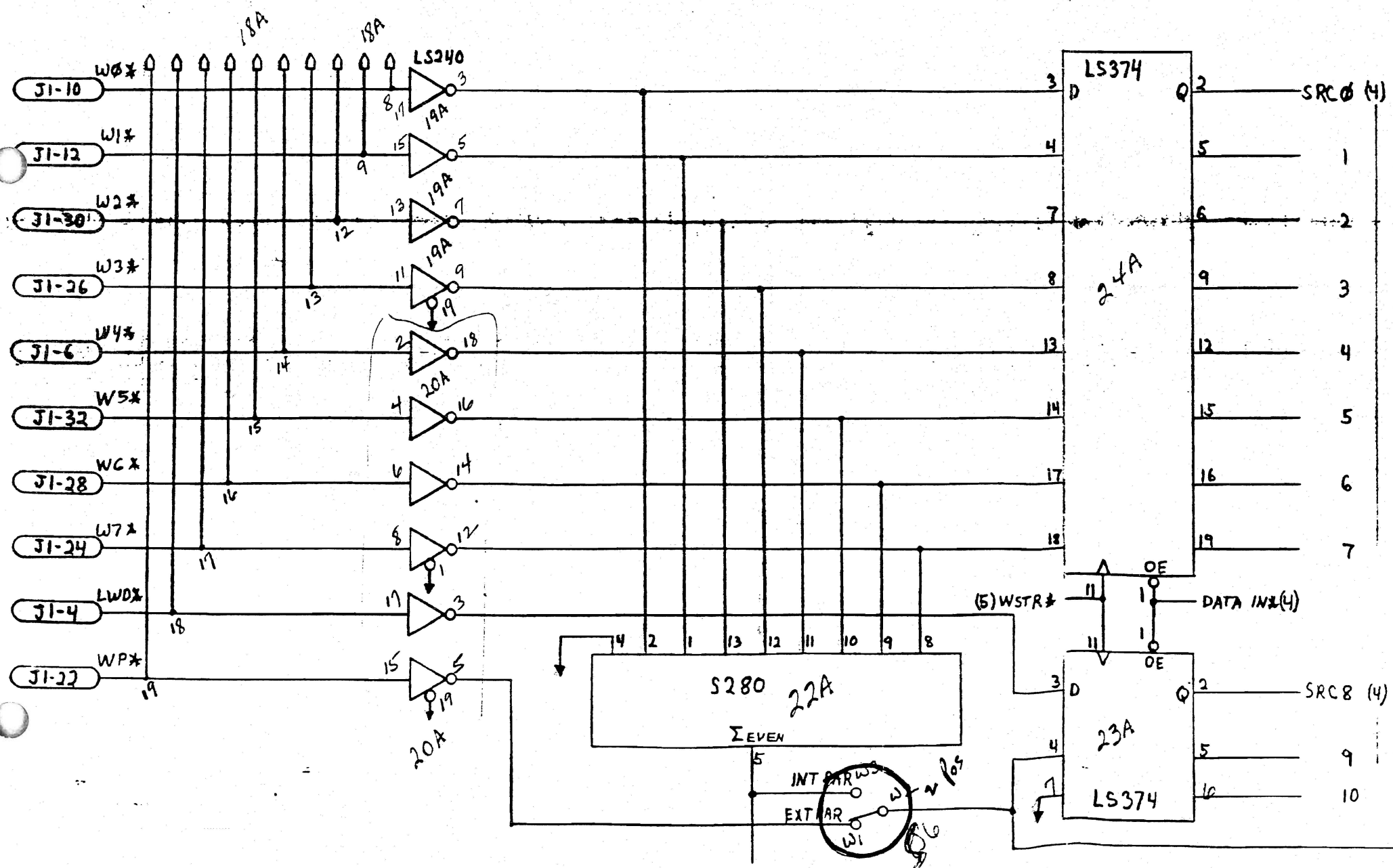
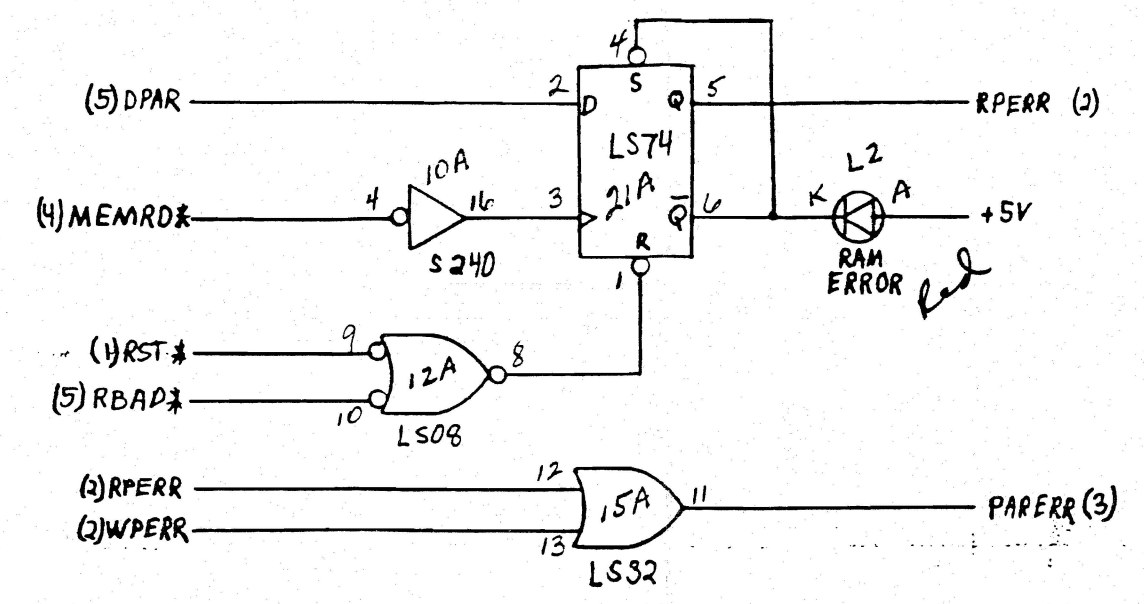
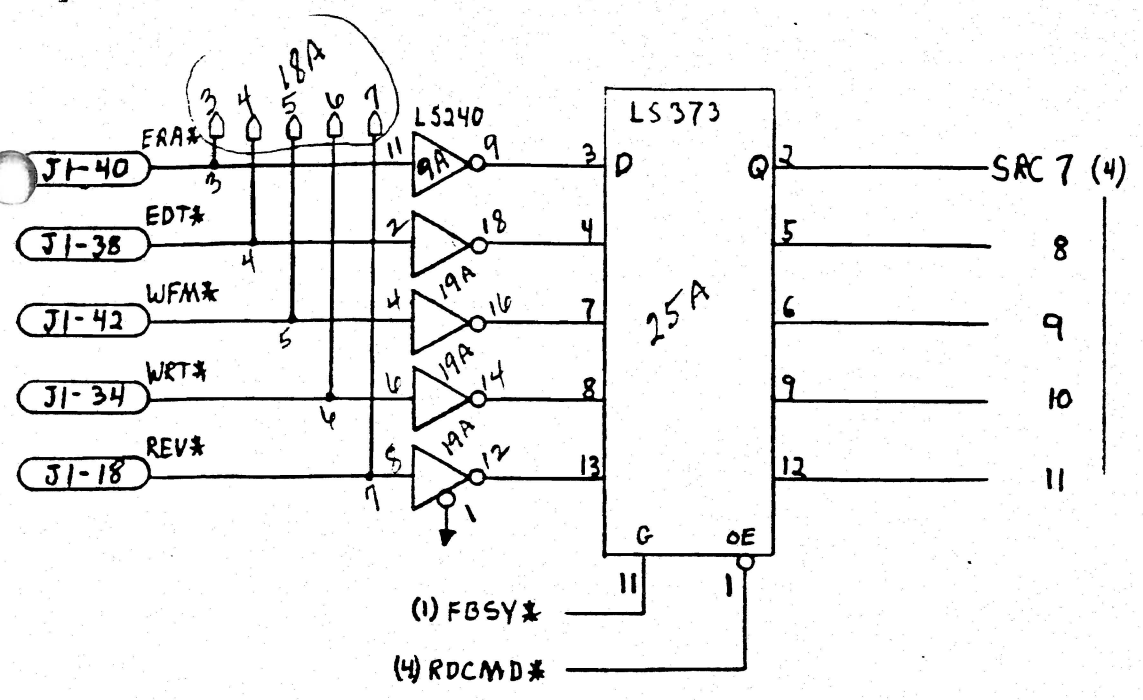
LED = Red or Green
Switch = MoM, 3-Pos (1)
2-Pos

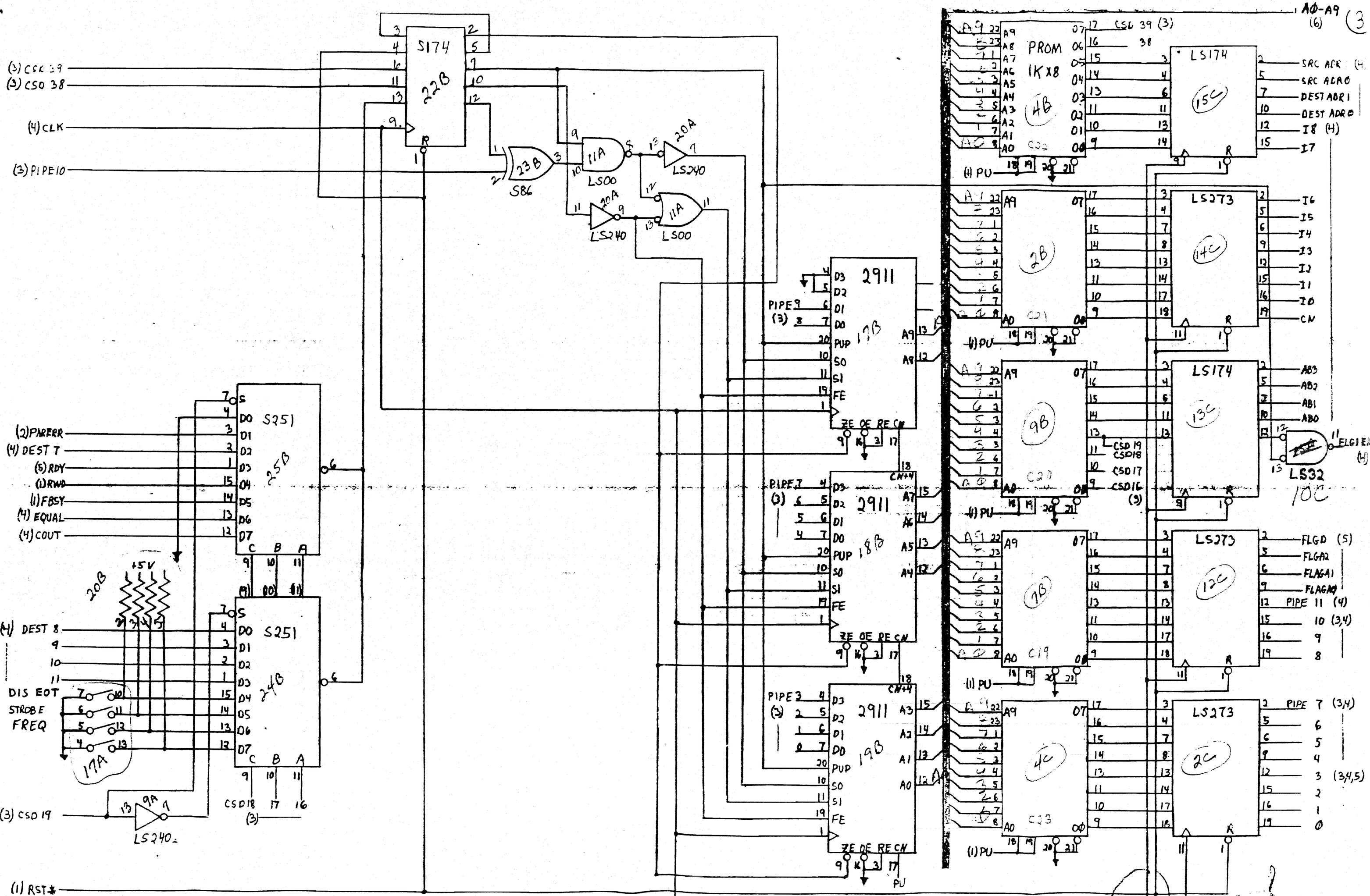


91, 7270
with priors

SPECTRA LOGIC
TAPE WORK







AD-A9 (6) (3)

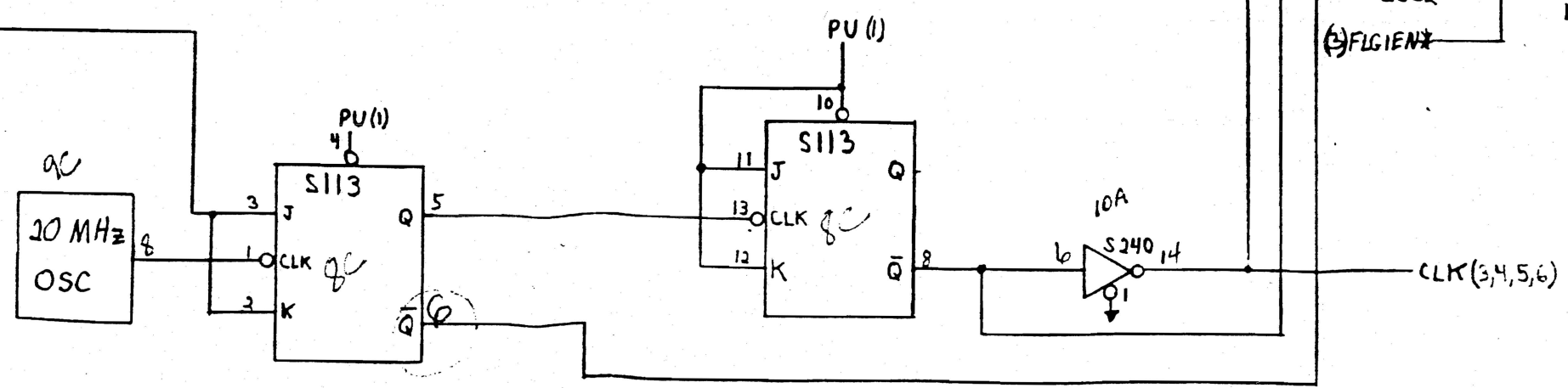
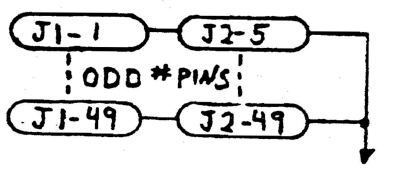
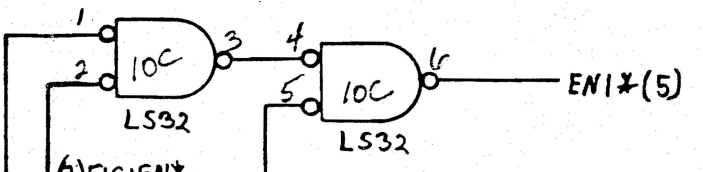
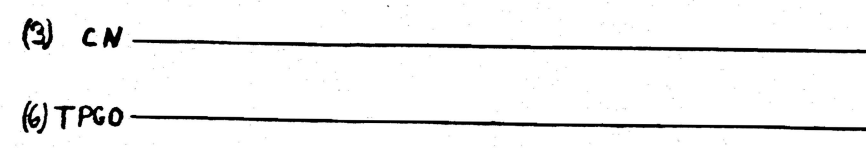
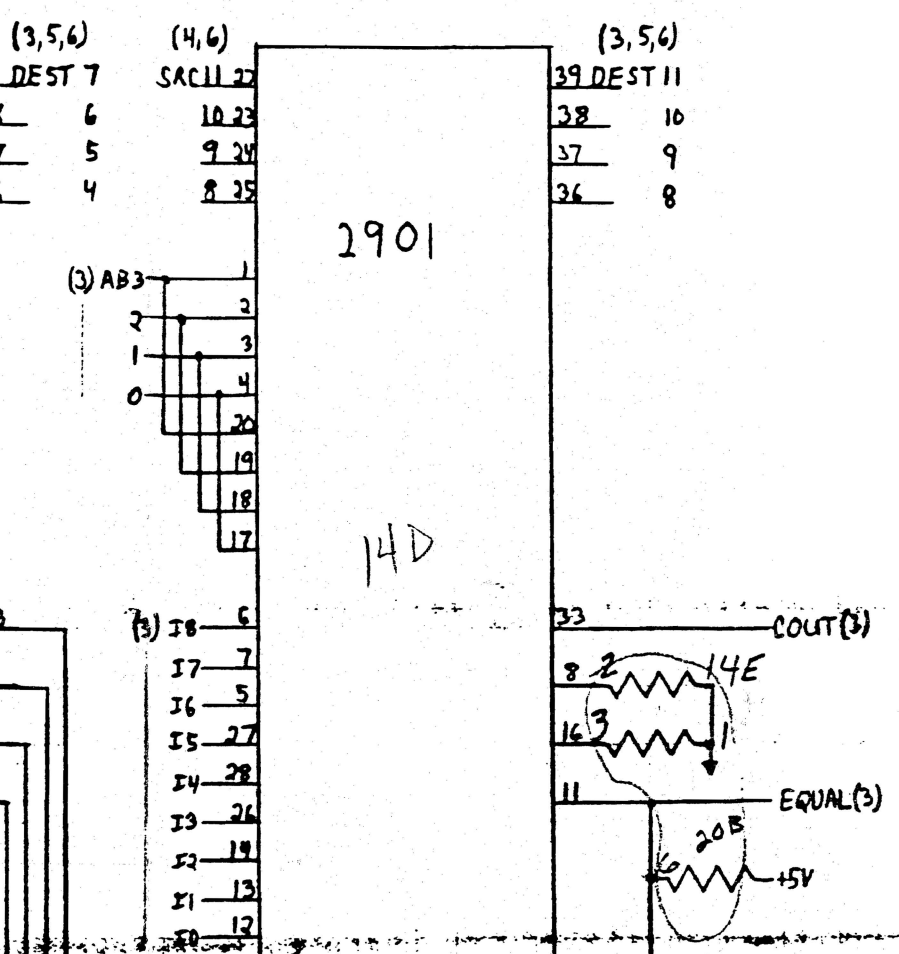
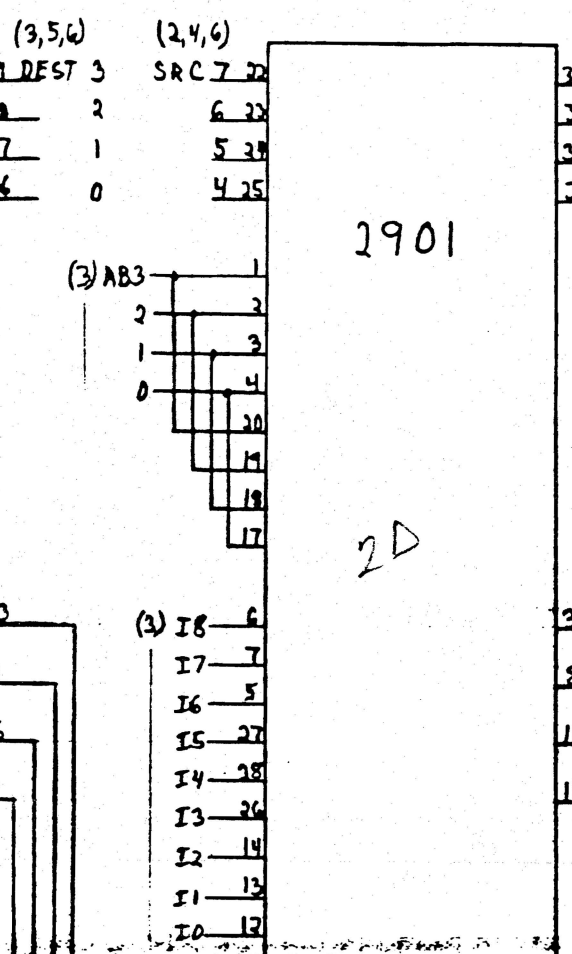
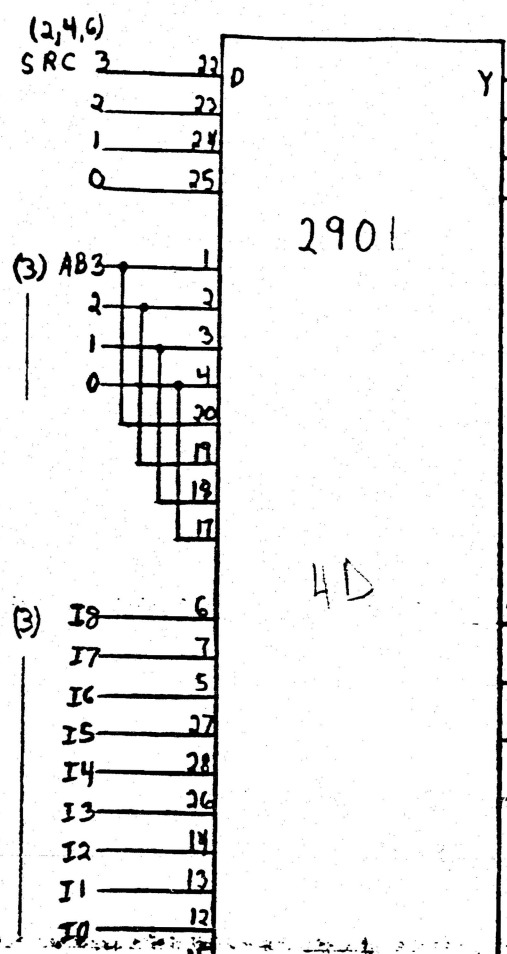
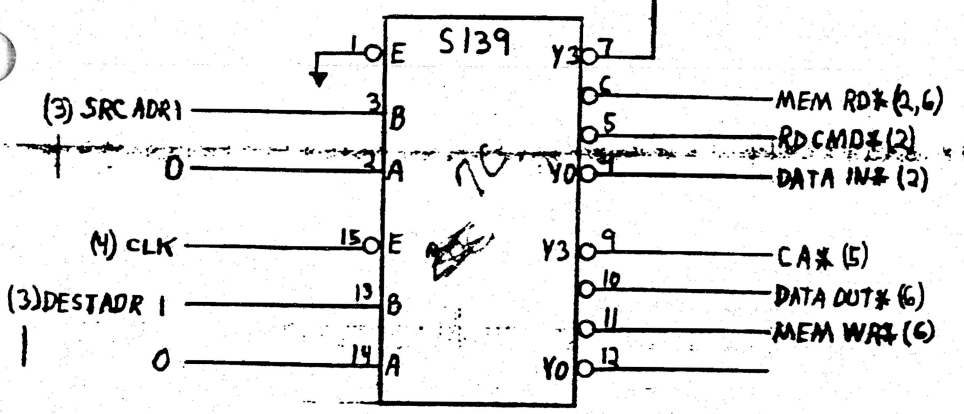
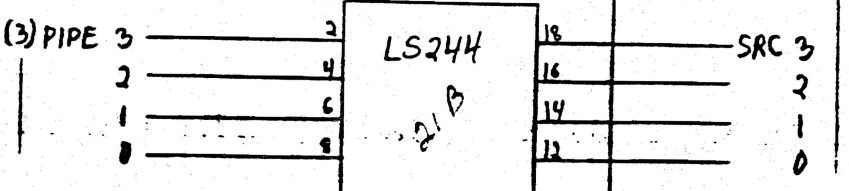
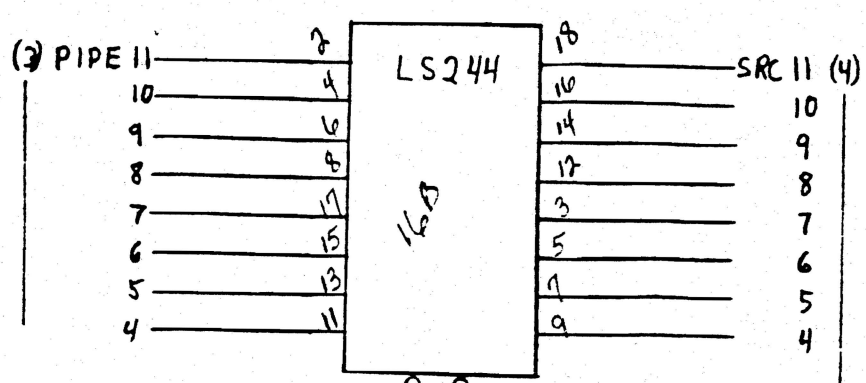
(3) CSK 39
 (3) CSO 38
 (4) CLK
 (3) PIPE10

(2) PARRR
 (4) DEST 7
 (5) RDY
 (1) RWD
 (1) FBSY
 (4) EQUAL
 (4) COUT

(4) DEST 8
 DIS EOT
 STROBE
 FREQ

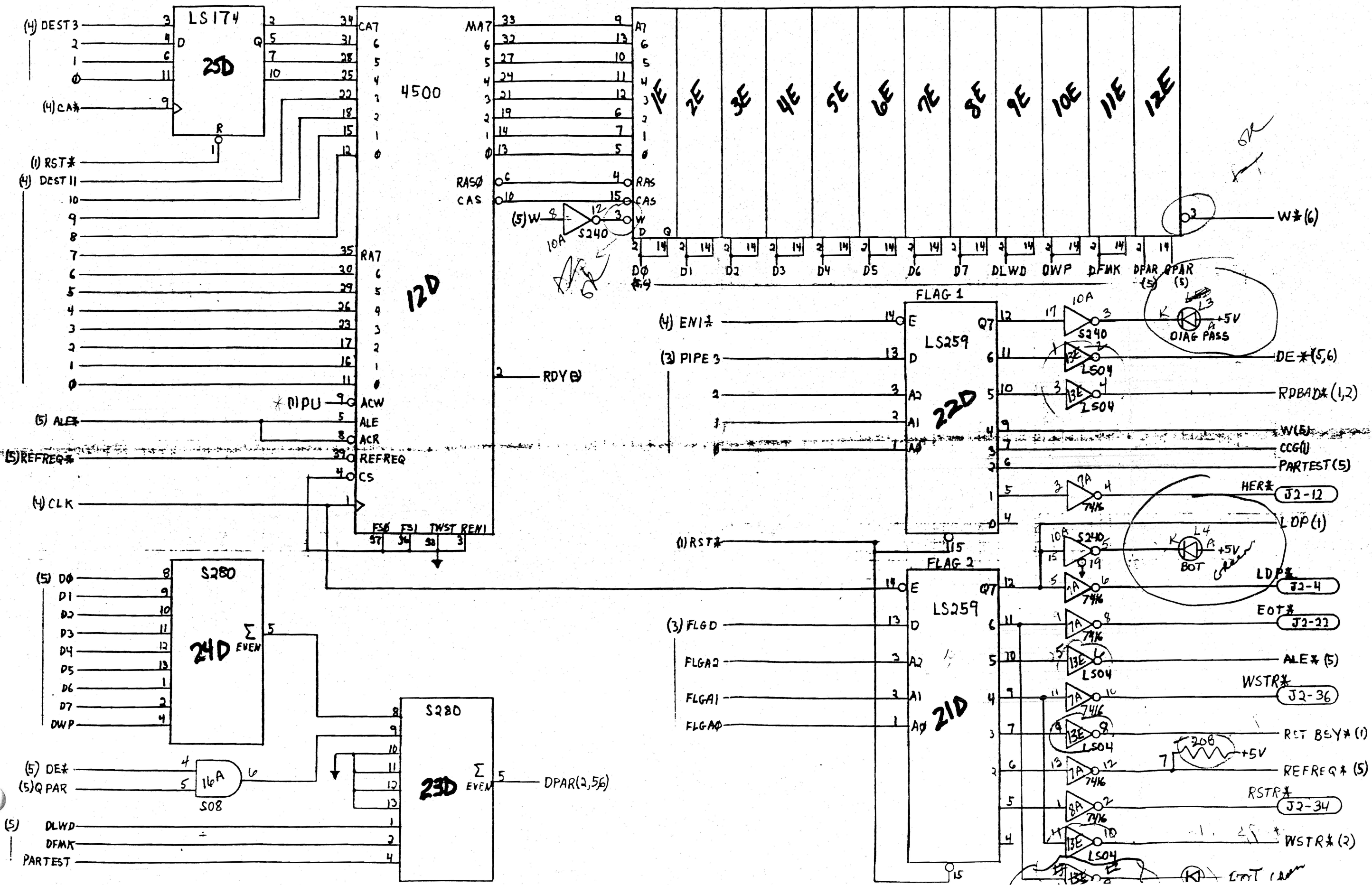
(3) CSO 19
 (1) RST*

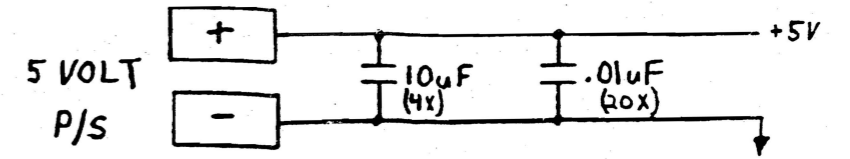
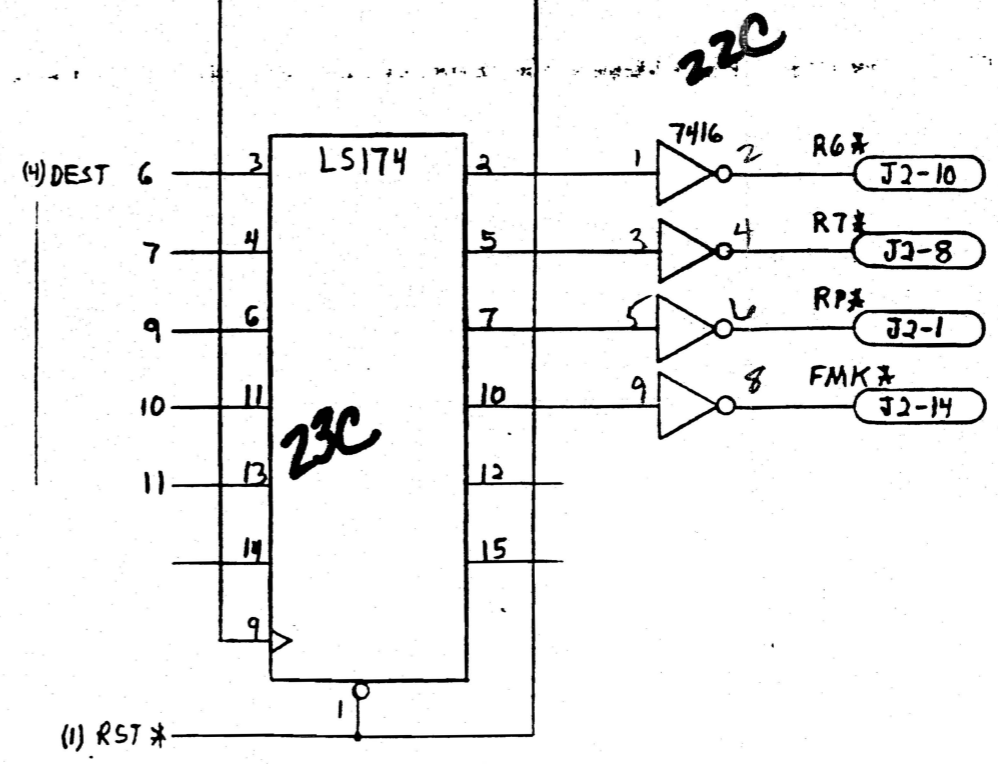
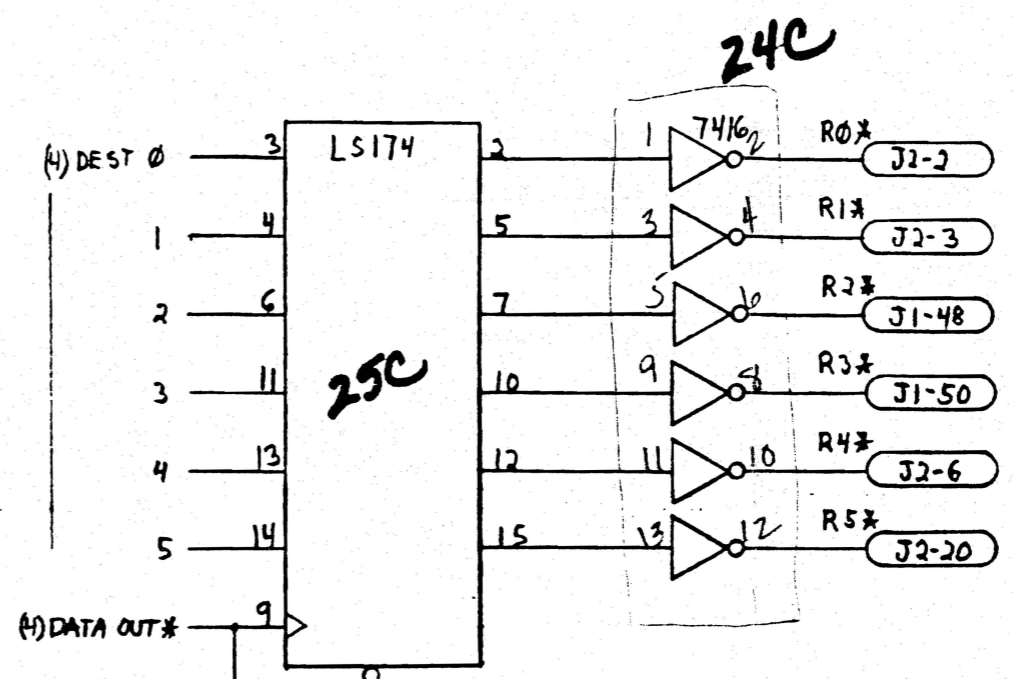
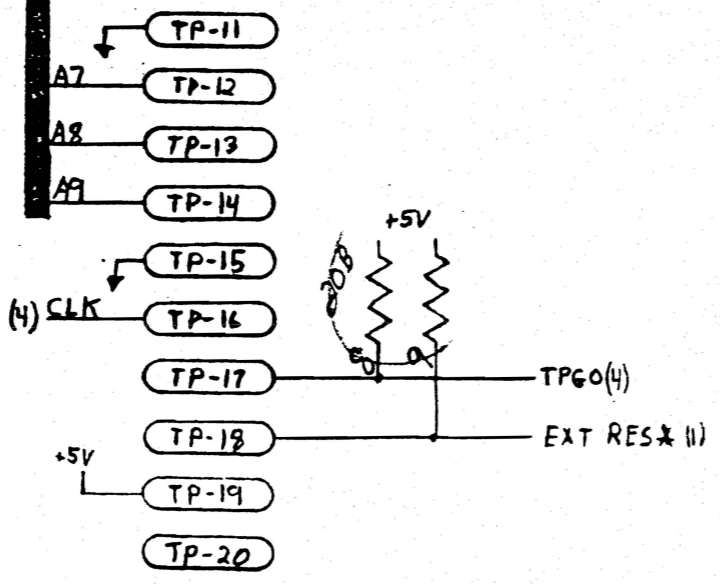
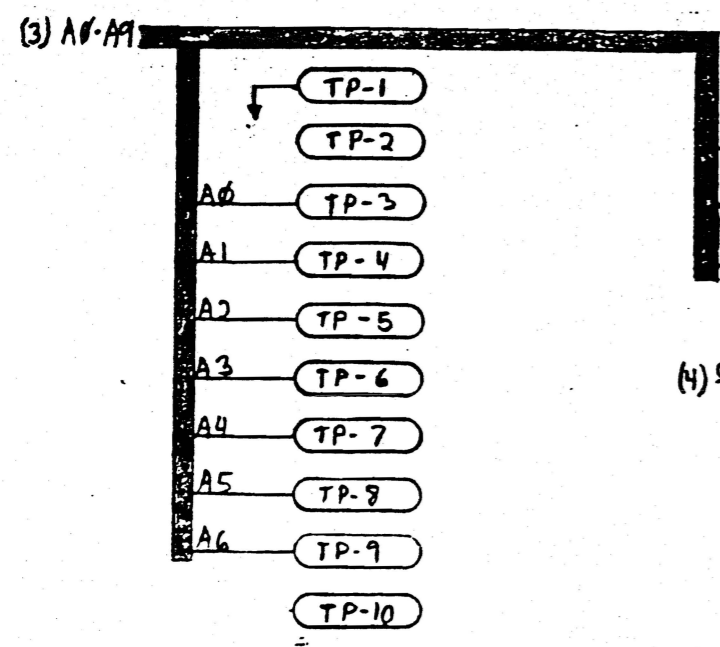
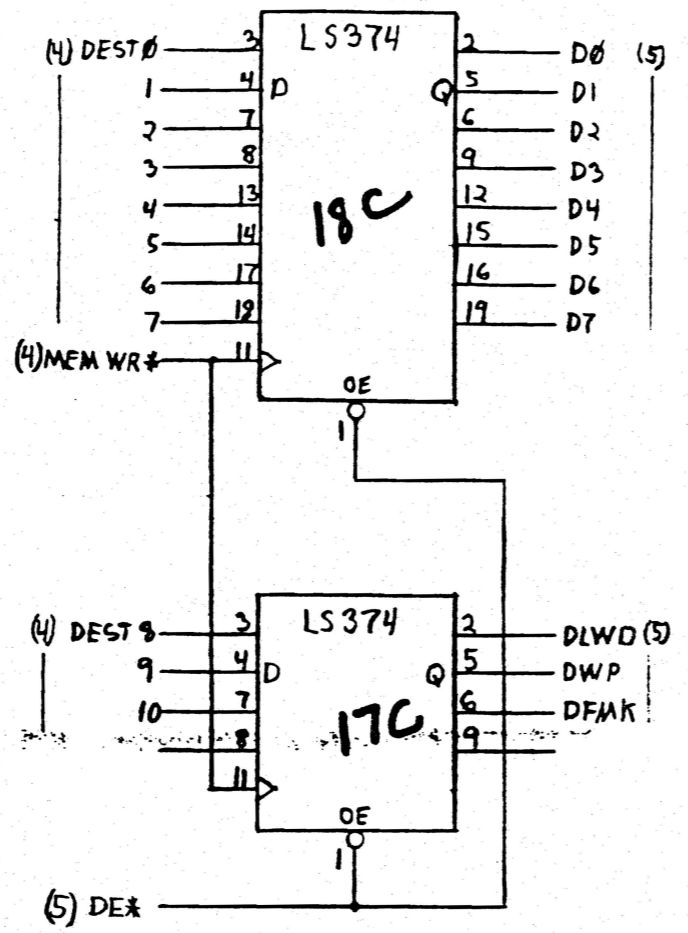
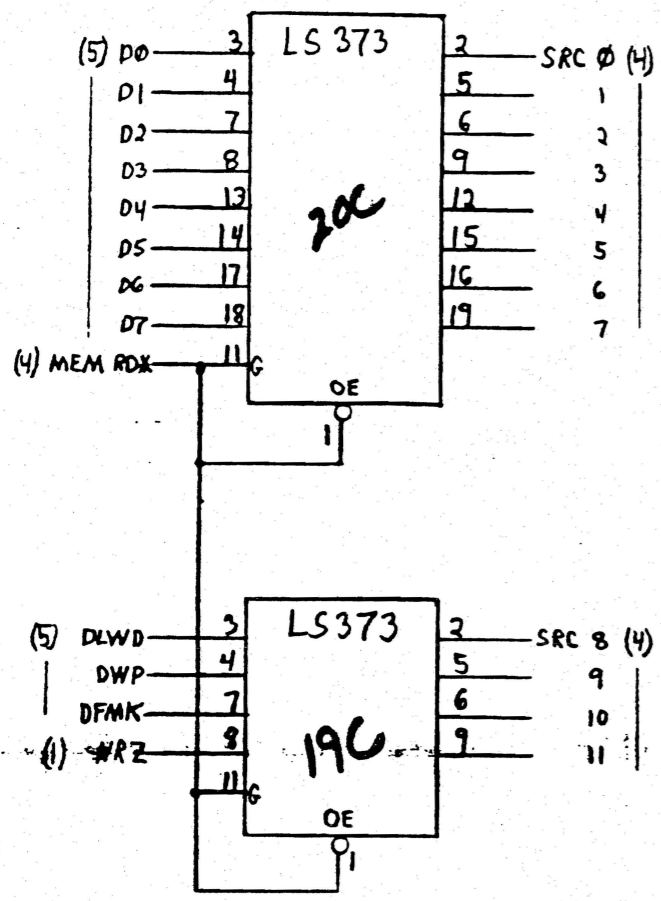
SRC ADR (4)
 SRC ACR0
 DEST ADR1
 DEST ADR0
 I8 (4)
 I7
 I6
 I5
 I4
 I3
 I2
 I1
 I0
 CN
 AB3
 AB2
 AB1
 AB0
 FLG0 (5)
 FLG02
 FLAGA1
 FLAGA0
 PIPE 11 (4)
 10 (3,4)
 9
 8
 PIPE 7 (3,4)
 6
 5
 4
 3 (3,4,5)
 2
 1
 0



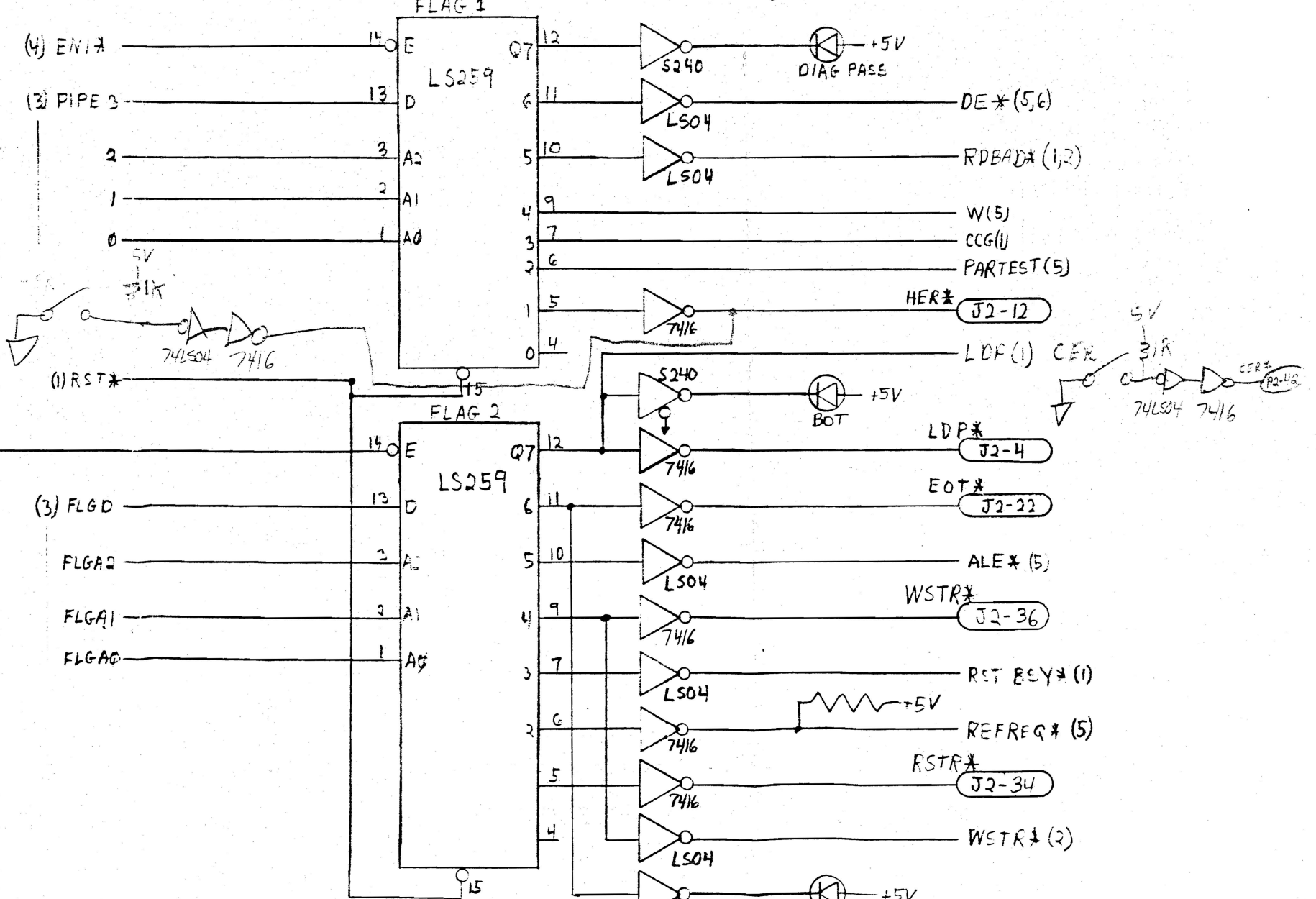
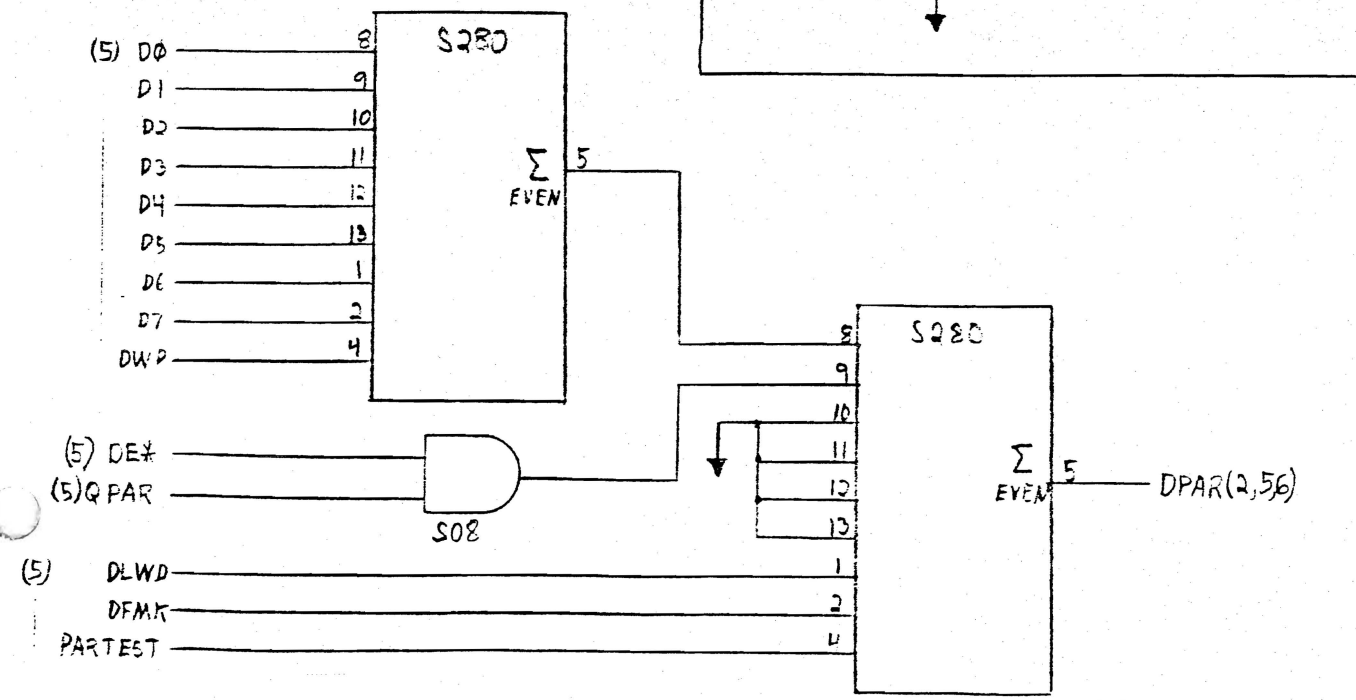
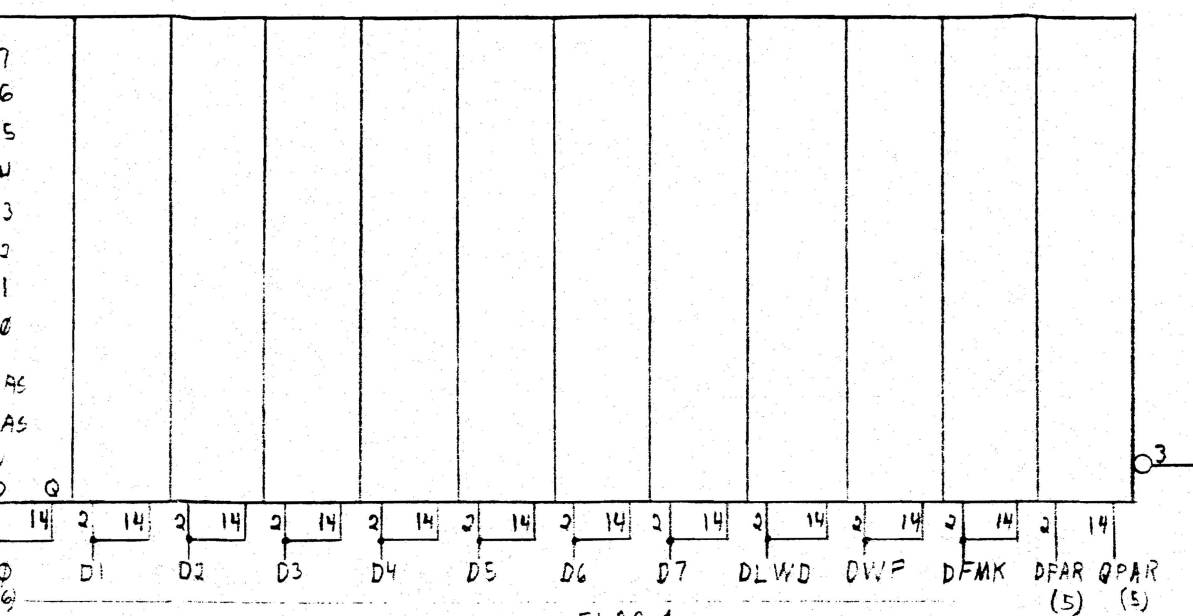
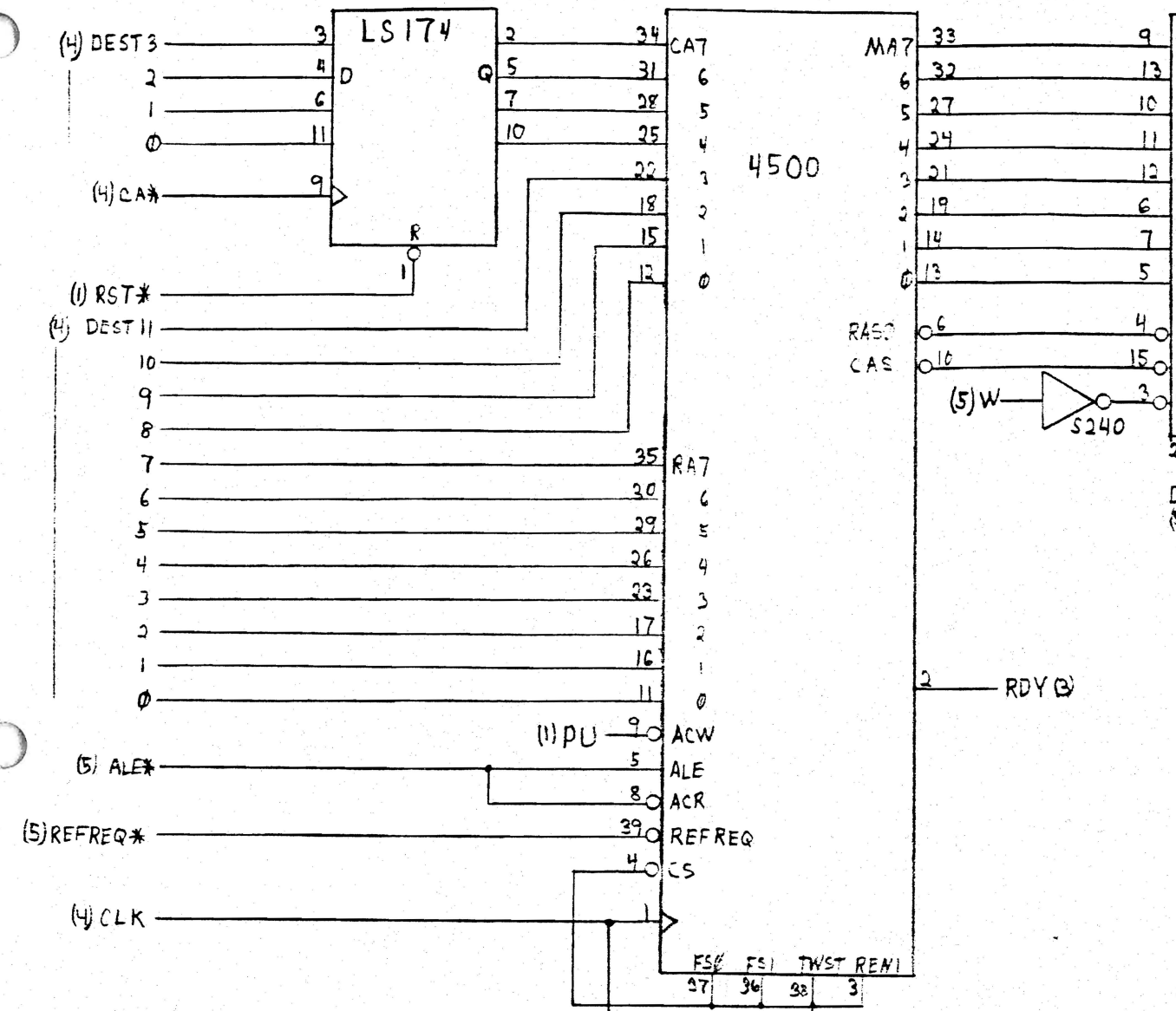
J3 IS CONNECTED PIN-FOR-PIN TO J1, AND J4 TO J2.

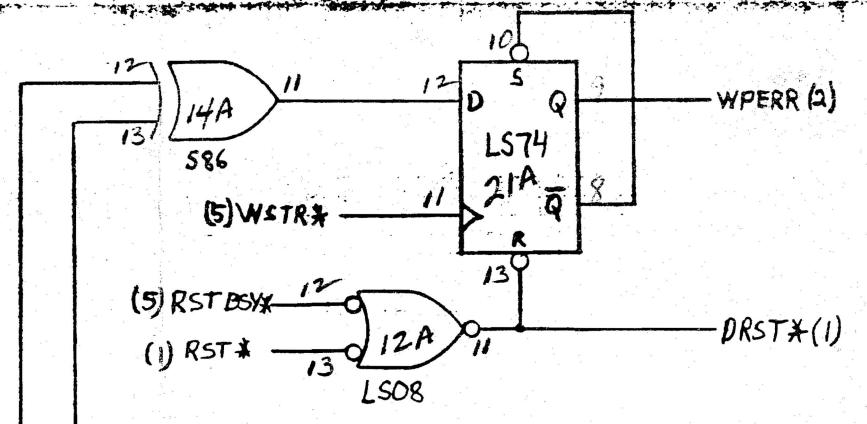
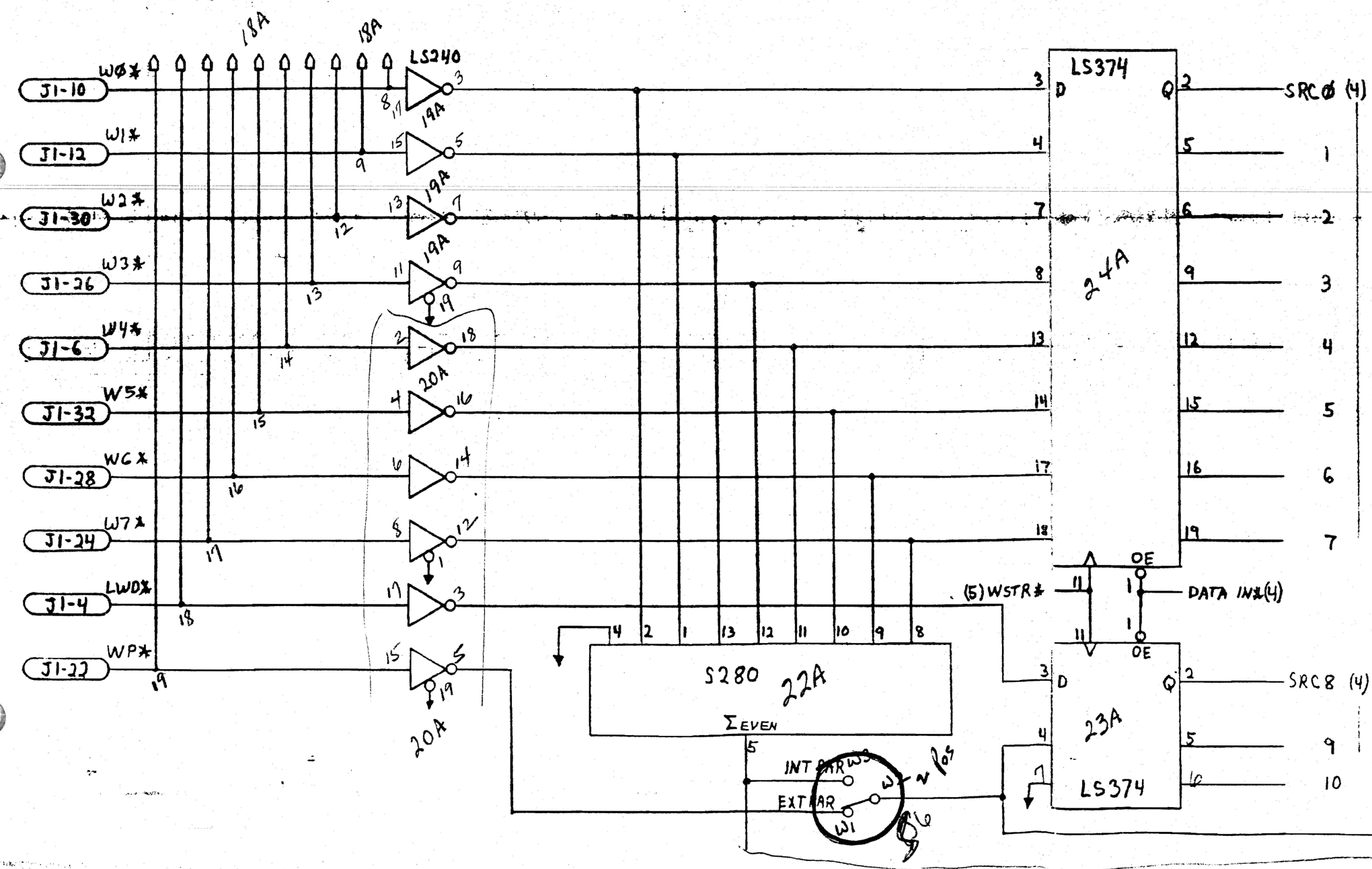
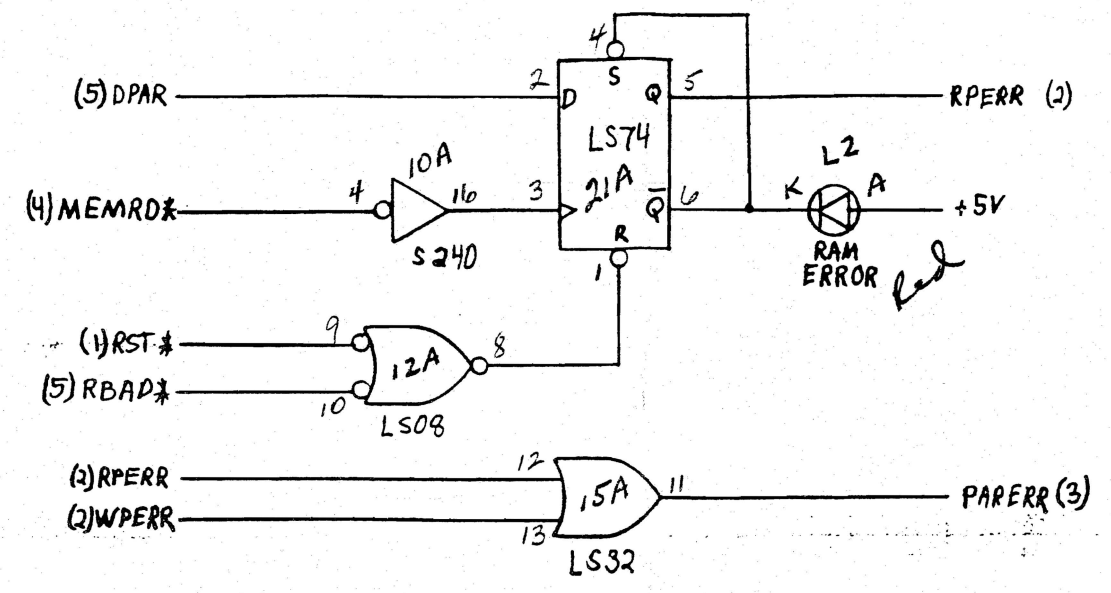
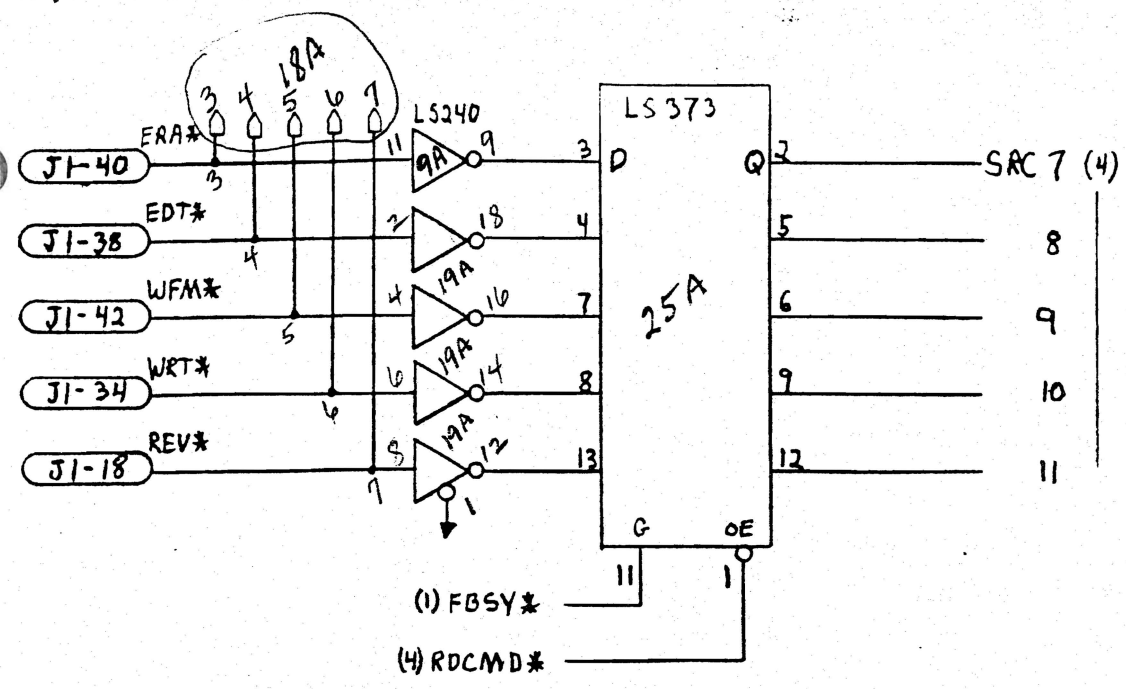
4164-15 (X12)

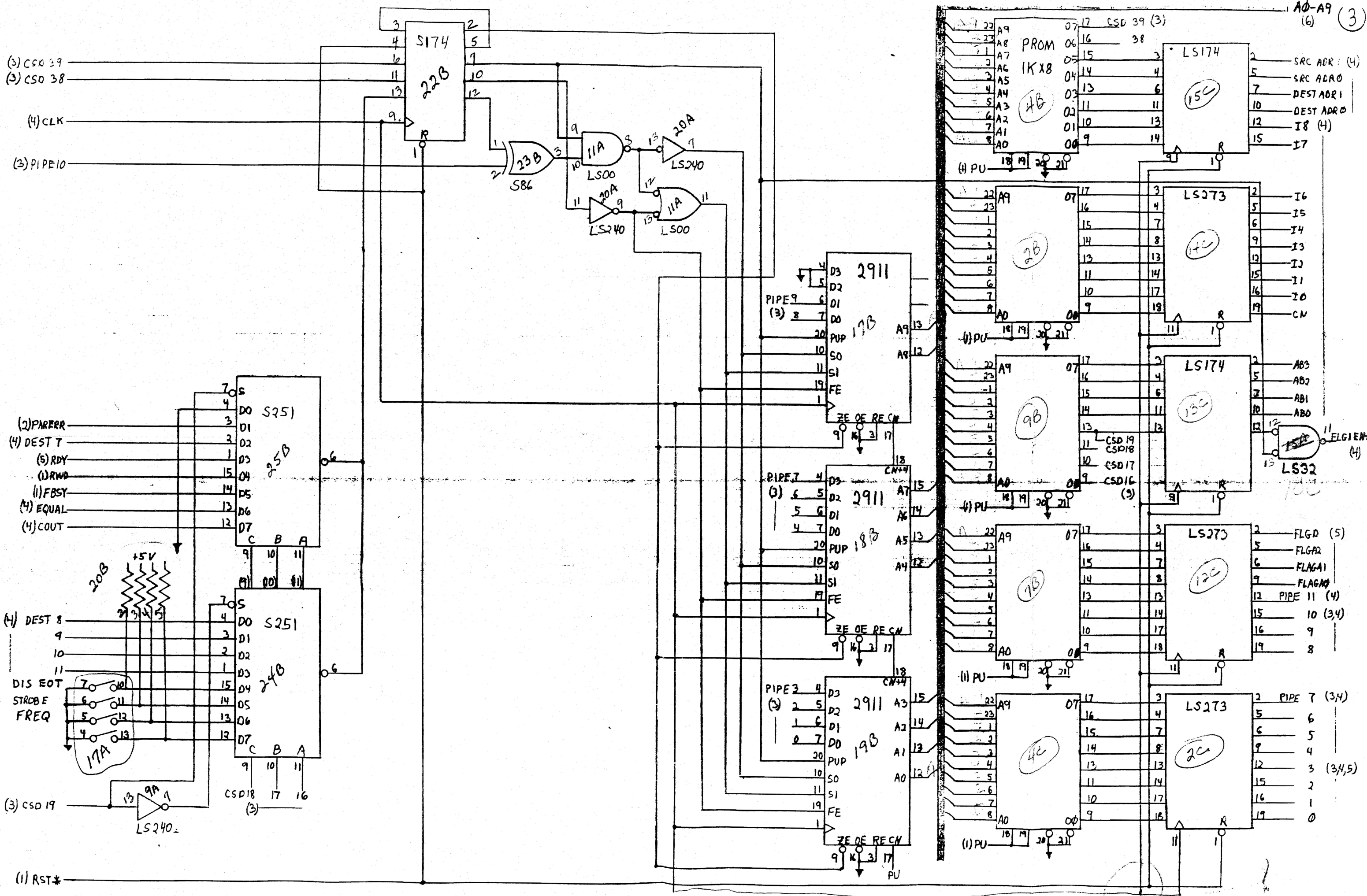




4164-15 (X12)







A0-A9 (3) (6) (3)

(3) CS0 39
 (3) CS0 38
 (4) CLK
 (3) PIPE10

(2) PARERR
 (4) DEST 7
 (5) RDY
 (1) RWD
 (1) FBSY
 (4) EQUAL
 (4) COUT

(4) DEST 8
 DIS EOT
 STROBE
 FREQ

(3) CSD 19
 (1) RST*

SRC ADDR (4)
 SRC ADDR
 DEST ADDR
 DEST ADDR
 I8 (4)
 I7

I6
 I5
 I4
 I3
 I2
 I1
 I0
 CM

AB3
 AB2
 AB1
 AB0
 ELGENT (4)

FLAGD (5)
 FLAG2
 FLAG1
 FLAG0
 PIPE 11 (4)
 10 (3,4)
 9
 8

PIPE 7 (3,4)
 6
 5
 4
 3 (3,4,5)
 2
 1
 0

PROM 1Kx8

A9	07	17	CSD 39 (3)
A8	06	16	38
A7	05	15	3
A6	04	14	4
A5	03	13	6
A4	02	11	11
A3	01	10	13
A2	00	9	14
A1	00	9	14
A0	00	9	14

LS273 (2B)

A9	07	17	3
A8	06	16	4
A7	05	15	7
A6	04	14	8
A5	03	13	13
A4	02	11	14
A3	01	10	17
A2	00	9	18

LS174 (9B)

A9	07	17	3
A8	06	16	4
A7	05	15	6
A6	04	14	11
A5	03	13	13
A4	02	11	13
A3	01	10	17
A2	00	9	18

LS273 (12C)

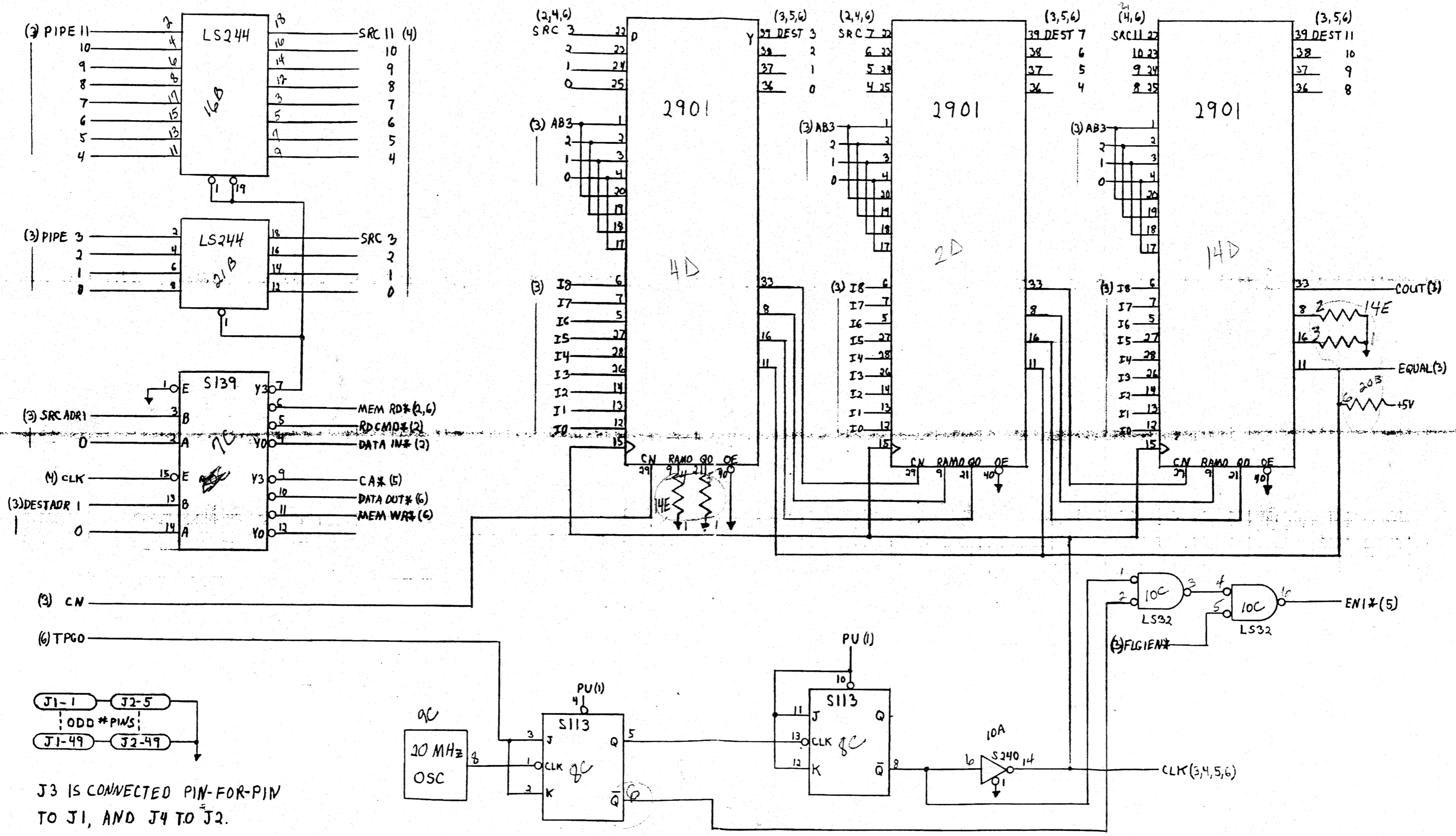
A9	07	17	3
A8	06	16	4
A7	05	15	7
A6	04	14	8
A5	03	13	13
A4	02	11	14
A3	01	10	17
A2	00	9	18

LS273 (15C)

A9	07	17	3
A8	06	16	4
A7	05	15	7
A6	04	14	8
A5	03	13	13
A4	02	11	14
A3	01	10	17
A2	00	9	18

LS273 (2C)

A9	07	17	3
A8	06	16	4
A7	05	15	7
A6	04	14	8
A5	03	13	13
A4	02	11	14
A3	01	10	17
A2	00	9	18



J3 IS CONNECTED PIN-FOR-PIN TO J1, AND J4 TO J2.

