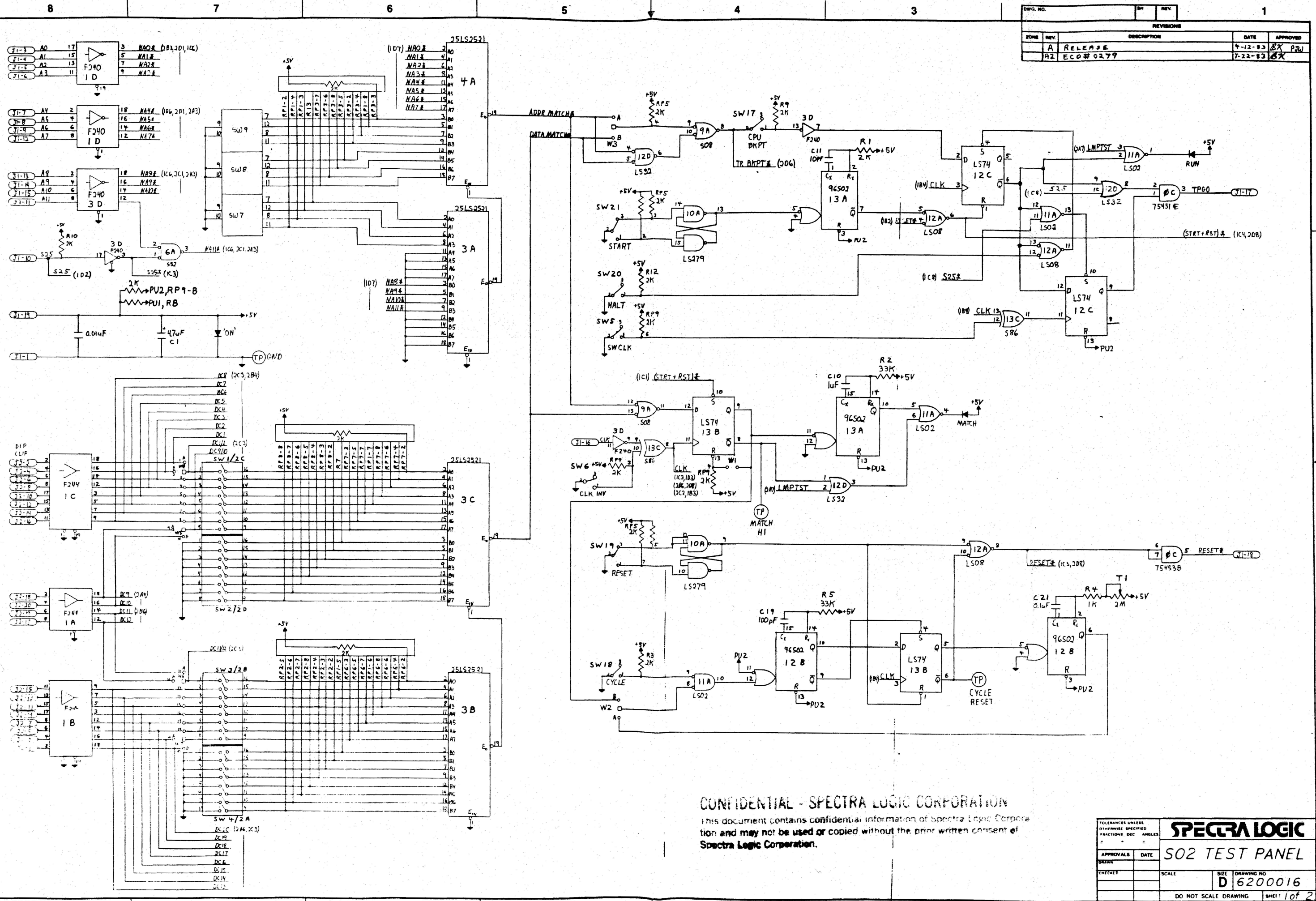


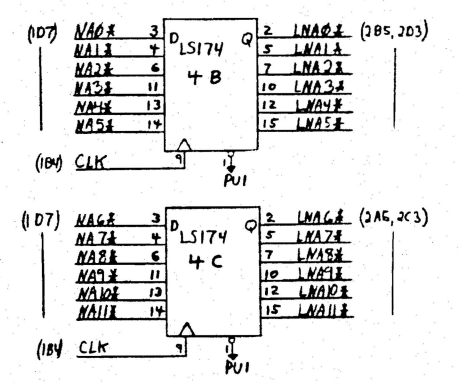
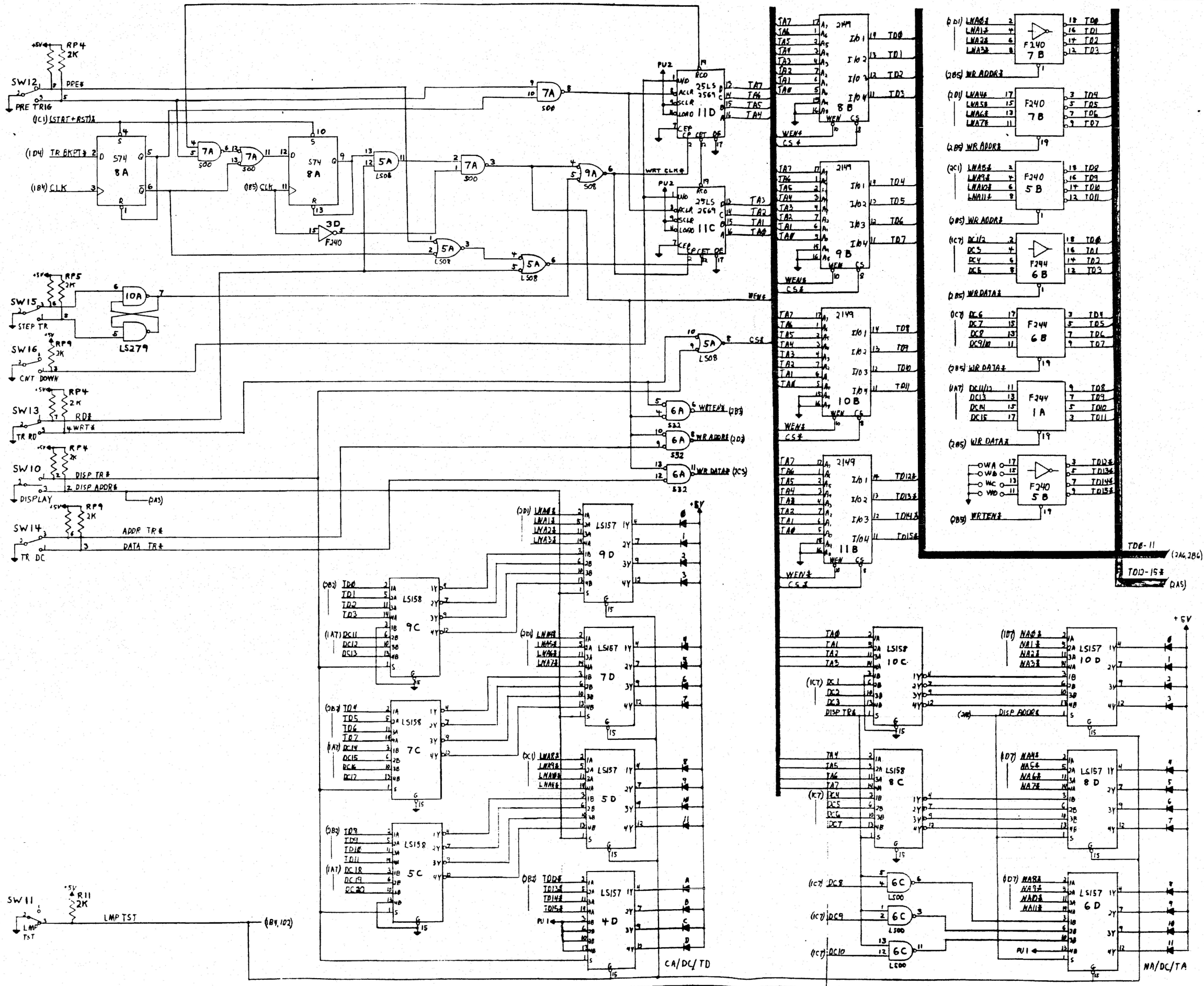
DWG. NO.		REV.	DATE	APPROVED
A		RELEASE	7-12-83	PRJ
A2		ECO# 0279	7-22-83	PRJ



CONFIDENTIAL - SPECTRA LOGIC CORPORATION
 This document contains confidential information of Spectra Logic Corporation and may not be used or copied without the prior written consent of Spectra Logic Corporation.

TOLERANCES UNLESS OTHERWISE SPECIFIED		FRACTIONS DEC ANGLES	
±	°	±	°
APPROVALS	DATE	SPECTRA LOGIC	
DESIGN		S02 TEST PANEL	
CHECKED		SCALE	SIZE DRAWING NO
			D 6200016
		DO NOT SCALE DRAWING SHEET 1 of 2	

DWG. NO.		REV.	DATE	APPROVED
		A		8X P3U



CONFIDENTIAL - SPECTRA LOGIC CORPORATION
 This document contains confidential information of Spectra Logic Corporation and may not be used, copied, or disseminated without the prior written consent of Spectra Logic Corporation.

TOLERANCES UNLESS OTHERWISE SPECIFIED		SPECTRA LOGIC	
FRACTIONS DEC ANGLES		S02 TEST PANEL	
APPROVALS	DATE	SIZE	DRAWING NO.
DRAWN		D	6200016
CHECKED		SCALE	
			DO NOT SCALE DRAWING