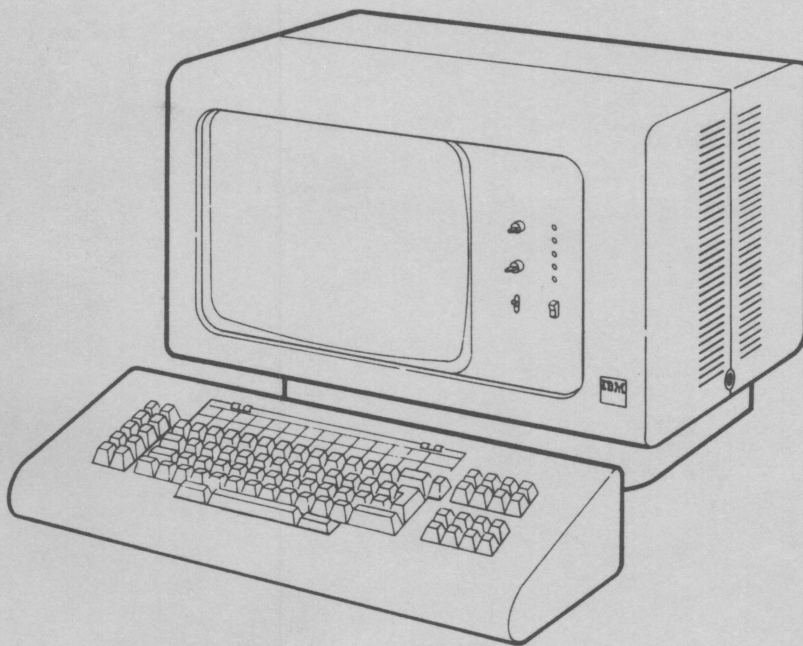


S131-0628-1

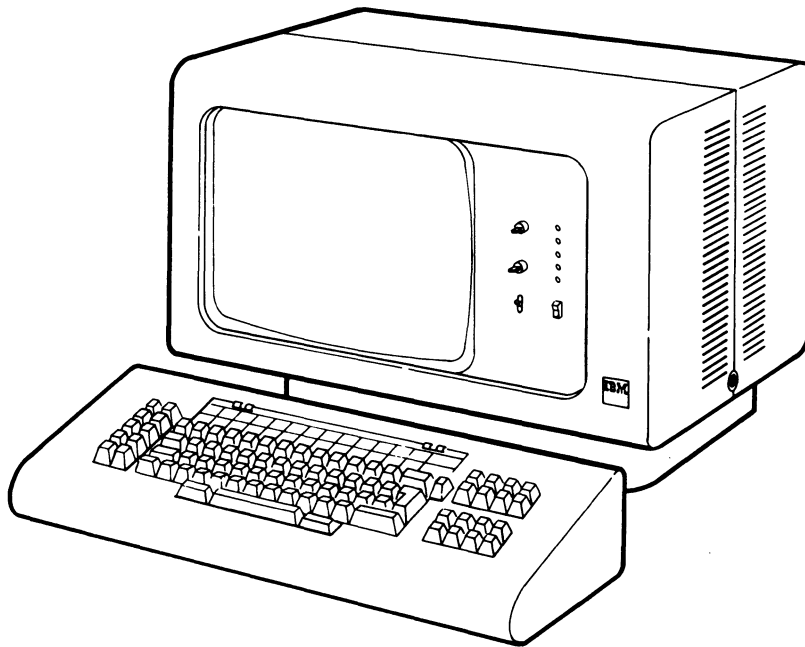
IBM 5253 Display Station Parts Catalog





S131-0628-1

IBM 5253 Display Station Parts Catalog



Preface

The purpose of this publication is to list and to show illustrations of all replaceable assemblies, subassemblies, and detail parts released to Production Control on or before 1 May 1982 of the IBM 5253 Display Station. This publication is for the use of an IBM customer engineer or a service representative.

Second Edition (June 1982)

Changes are periodically made to the information herein; these changes will be reported in new editions of this publication.

Use this publication only for the purposes stated in the *Preface*.

This publication could contain technical inaccuracies or typographical errors. Use the Reader's Comment Form at the back of this publication. If the form has been removed, address your comments to IBM Corporation, Publications, Department 245, Rochester, Minnesota 55901. IBM may use and distribute any of the information you supply in any way it believes appropriate without incurring any obligation whatever. You may of course, continue to use the information you supply.

	Contents
HOW TO USE A PARTS CATALOG	ii
VISUAL INDEX	iv
CATALOG SECTION	1
Figure 1. Planar Stiffener and Cover Asm	2
Figure 2. CRT Assembly	4
Figure 3. Power Supply Assembly	6
Figure 4. E/ME/A Power Supply Assembly	9
Figure 5. Bezel Assembly	10
Figure 6. Line Filter Assembly	12
Figure 6A. Line Cord Chart	15
Figure 7. Keylock Assembly	16
Figure 8. Base and Tray Assembly	18
Figure 9. Keyboard Assembly	20
Figure 10. Keyboard Assembly	22
Figure 11. Cable Components	34
NUMERICAL INDEX	37

HOW TO USE THIS PARTS CATALOG

PART 1

To find parts quickly, a general understanding of the structure of this catalog is necessary. The catalog is divided into three major sections:

- The Visual Index, containing overall views of the machine, with call-outs pointing to detailed figures.
- The Catalog Section, containing a pictorial breakdown of assemblies and subassemblies.
- The Numerical Index, which is a numerical list of all parts used in the machine, with cross-references to the figure on which the part is found.

VISUAL INDEX

The Visual Index, located before the Catalog Section, contains a reduced illustration of every figure in the Catalog Section. The reduced illustrations are tied together with flow arrows to form a natural progression from large assemblies to small assemblies and possibly subassemblies. In effect, a visual table of contents is formed by the Visual Index illustrations.

CATALOG SECTION

The Catalog Section contains the full-sized illustrations previously noted in the Visual Index. Index numbers on figures refer to corresponding entries in the Group Assembly Parts List accompanying each figure. Refer to part II for explanation of terms used in the Group Assembly Parts List.

NUMERICAL INDEX

The Numerical Index is located after the Catalog Section and contains a complete list, in numerical order, of all part numbers used on the machine. Listed with the part number is the index and figure number on which the part is illustrated. The numerical index makes it possible to locate a part when only the part number is known.

STACKED INDEX NUMBERS

Stacked Index numbers are used when showing a part and its attaching hardware. The circled index number indicates the assembly is broken down within the figure.

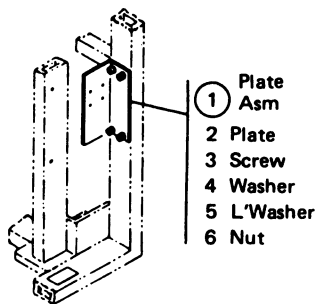


ILLUSTRATION NOTES

Cross-reference notes are directly on the illustration. The illustration's next higher assembly reference, normally located in the upper left corner of the page will read: "For Parts Not Shown See Figure X". If an assembly is referenced to a lower level figure, the note located next to the index number will read: "5 See Figure X."

DOUBLE LINED DETAIL BOX

The double lined box differentiates between parts shown on the basic model and parts related to a level and/or feature difference. An explanation of the level or feature difference is given in the double lined box.

FINDING A PART

The Visual Index is the starting point for locating a part. The illustrations in the Visual Index are reduced versions of all illustrations in the Catalog Section; therefore, the illustrations can be used to find the assembly containing the desired part. Use references to the detailed figure in the Catalog Section, or to another Visual Index illustration, to determine location of part number.

Once the detailed figure in the catalog section is determined, finding the part on the figure and referring to the listing for the part number and description is all that is required in most cases. If the first catalog section figure referenced shows the assembly containing the required part, the index number for the assembly will reference a lower-level figure where the assembly is broken down to its component parts. If the figure referenced by the Visual Index contains neither the part nor an assembly containing the part, it is then necessary to go to the next higher assembly figure. This figure should then contain the part or an assembly containing the part; if not, an even higher level figure must be used. Refer back to the Visual Index for some other figure that could show the desired part.

Note: Many detailed parts are unavailable, because they are part of an inseparable assembly (two or more parts welded or bonded together), or because they are part of an assembly purchased as a unit. If the part is found on a purchased assembly, and the detail parts of this assembly do not have IBM part numbers, in either case, you need to obtain the part number of the assembly, rather than the detailed part.

EXAMPLE FOR ORDERING PARTS

FIGURE- INDEX NUMBER	PART NUMBER	UNITS PER ASM.	DESCRIPTION FOR FIGURE 25			
			1	2	3	4
25	2592881					FAN ASM. 80 HZ
- 1	2172166	1				GUARD
- 2	2591483	AR				SEAL
- 3	2592892	1				BRACKET
- 4	2591431	1				FAN ASM
- 5	334823	1				RING TERMINAL
- 6	1168117	1				CONNECTOR
- 7	1168114	3				TERMINAL
- 8	2591402	1				FAN

If the entire fan is required, part number 2592881 should be ordered (all one dot items will be received). If only the subassembly is required, part number 2591431 should be ordered (all two dot items will be received). Each part may be ordered individually.

Note: If you order a part that requires a label, make sure you order the label in the correct language. For example: A part of a Quebec machine should have a French Canadian language label rather than a French language label.

HOW TO USE THIS PARTS CATALOG

Part II

A AR

As Required (AR) in the units per assembly column denotes that the quantity is used as required.

B INDENTURE

The relationship of a part to its next higher assembly is indicated by indentures. For example:

1 2 3 4

Unit

- Assemblies and Detail Parts of Unit
- Attaching Parts for Assemblies & Detail Parts
- Subassemblies
- Attaching Parts of Subassemblies
- Detail Parts for Subassemblies, etc.

C NR

The NR in the part number column denotes the part is procurable but not recommended for field replacement, and that the next higher assembly should be ordered.

D NP

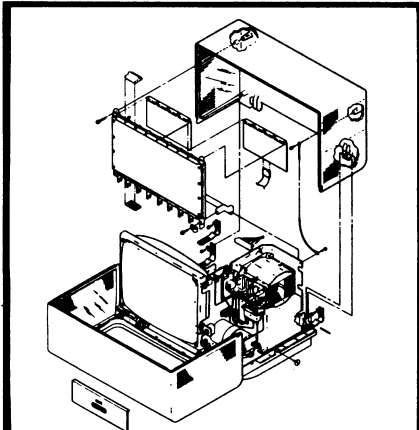
The entry NP in the part number column denotes the assembly is non-procurable and the detail parts should be ordered separately.

E NO NO.

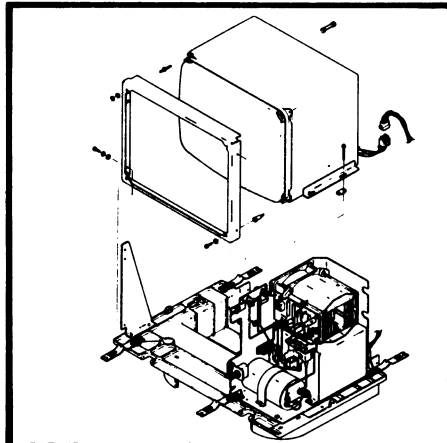
When this indication appears in the part number column, it denotes a group of parts for which no assembly part number has been assigned, and the detail parts should be ordered separately.

EXAMPLE OF PARTS LIST

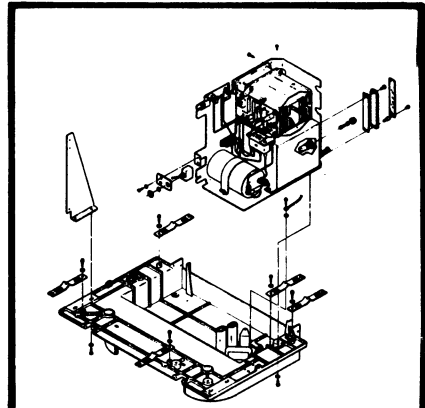
FIGURE- INDEX NUMBER	PART NUMBER	UNITS PER ASM.	DESCRIPTION FOR FIGURE 5			
			1	2	3	4
5	NO NO.		BEZEL AND OPERATOR PANEL ASSEMBLY			
- 1	2767400	1	• Bracket, LED and Switch			
- 2	7362104 NR	1	• Potentiometer			
- 3	7363983	1	• Potentiometer			
- 4	7362299	2	• Knob Asm			
- 5	8330754	5	• LED, Light			
- 6	5552875	1	• Block, LED			
- 7	1621811	AR	• Clip			
- 8	1940	5	• Screw, Thd Form-hex Wshr Hd 6-19 x 1/2 Lg			
- 9	5552875	1	• Cable Asm, CE Diag Ind and Switch			
- 10	7362322	1	• Cable Asm, AC Distribution			
- 11	7362939	1	• Switch			
- 12	2767401 NP	1	• Bezel, English			
- 12	7364967 NP	1	• Bezel, French			
- 12	7362142 NP	1	• Bezel, Japanese			
- 12	2767391 NP	1	• Bezel, Spanish			
- 12	8330738 NP	1	• Bezel, German			
- 12	515661 NP	1	• Bezel, Italian			



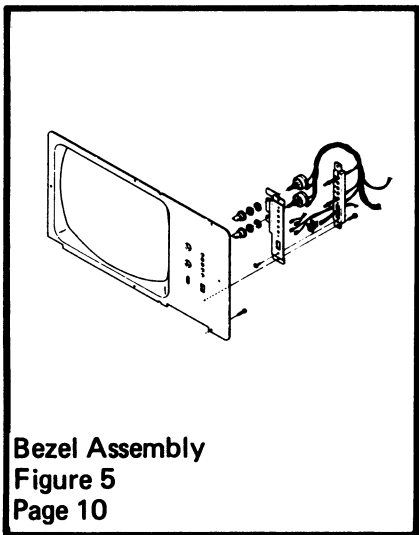
Planar Stiffener and Cover Asm.
Figure 1
Page 2



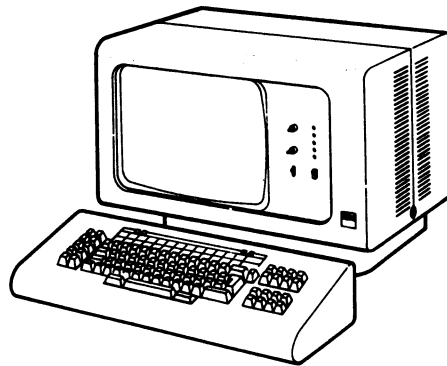
CRT Assembly
Figure 2
Page 4



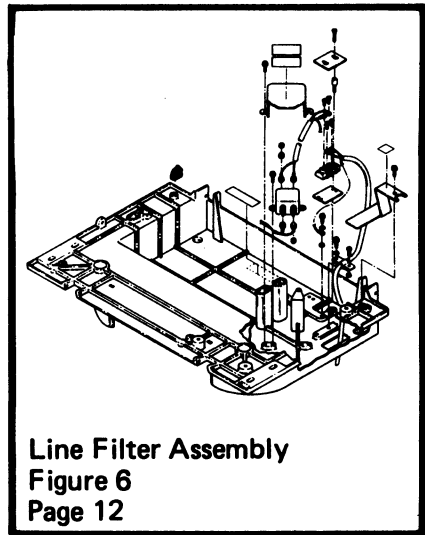
Power Supply Assembly
Figures 3 and 4
Pages 6 and 9



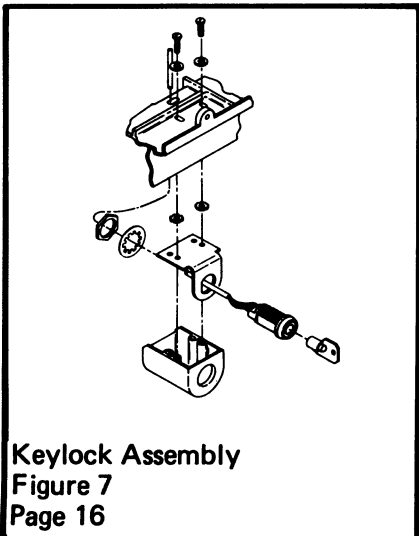
Bezel Assembly
Figure 5
Page 10



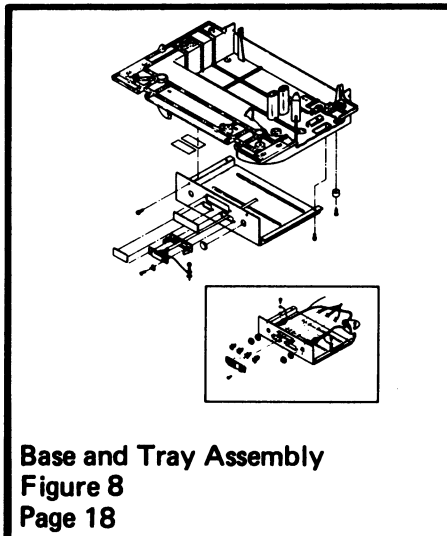
IBM 5253 Display Station



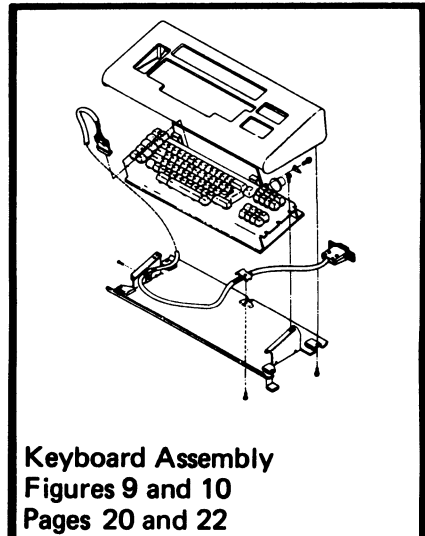
Line Filter Assembly
Figure 6
Page 12



Keylock Assembly
Figure 7
Page 16



Base and Tray Assembly
Figure 8
Page 18



Keyboard Assembly
Figures 9 and 10
Pages 20 and 22

VISUAL INDEX

CATALOG SECTION

5253

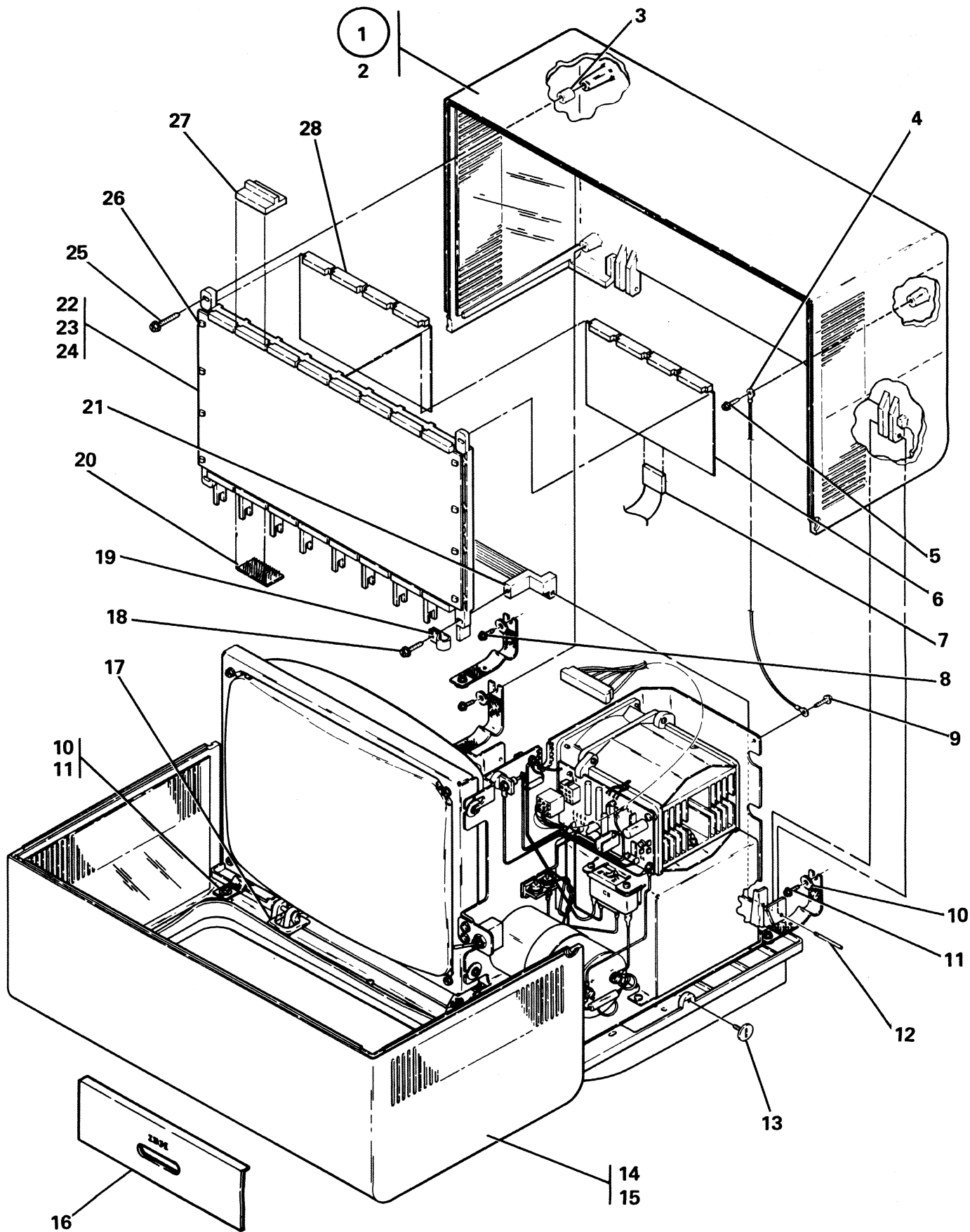


Figure 1. Planar Stiffener and Cover Asm.

FIGURE- INDEX NUMBER	PART NUMBER	UNITS PER ASM.	DESCRIPTION FOR FIGURE 1			
			1	2	3	4
1	NO NO.		PLANAR STIFFENER AND COVER ASSEMBLY			
- 1	2767400	1	• Cover Asm,Rear			
- 2	7363983	1	• • Label			
- 3	7362299	2	• On-Sert			
- 4	8330754	1	• Strain Relief			
- 5	5552875	1	• Screw,Hex Hd Thd-form 8-16 x 9/16 Lg			
- 6	NO NO.	1	• Card Assembly, Function Extension Feature			
- 7	7396233	1	• Cable Assembly, Function Extension Feature			
- 7			Card To Planar			
- 8	1608277	1	• Screw,Thd-Form Hex-Wshr Hd 6-19 x 3/8 Lg			
- 9	1621811	1	• Screw,Thd-Form Hex-Wshr Hd M4 x .7 x 10 Lg			
- 10	1940	5	• Washer,Flat-no. 10 x 9/16 OD x 3/64 Thk			
- 11	5552875	5	• Screw,Thd Form-Hex Wshr Hd 8-16 x 9/16 Lg			
- 12	7362322	2	• Pin, Hinge			
- 13	7362939	2	• Screw,Cover			
- 14	2767401	1	• Cover,Front			
- 15	7364967	1	• Logo			
- 16	7362142	1	• Plate,Front			
- 17	2767391	2	• Hinge Pin			
- 18	8330738	2	• Screw,Thd Form-Hex Wshr Hd 6-19 x 9/16 Lg			
- 19	515661	1	• Clamp, Cable			
- 20	2731011	4	• Interposer			
- 21	7363928	1	• Hinge Planar			
- 22	NO NO.	1	• Planar Assembly			
- 23	2731007	1	• Stiffener			
- 24	8330757	1	• Bumper			
- 25	5552875	2	• Screw,Hex Hd Thd-Form 8-16 x 9/16 Lg			
- 26	2632773	20	• Canoe Clip			
- 27	2731026	5	• Cross-Connector			
- 28	NO NO.	1	• Card Assembly, Memory			

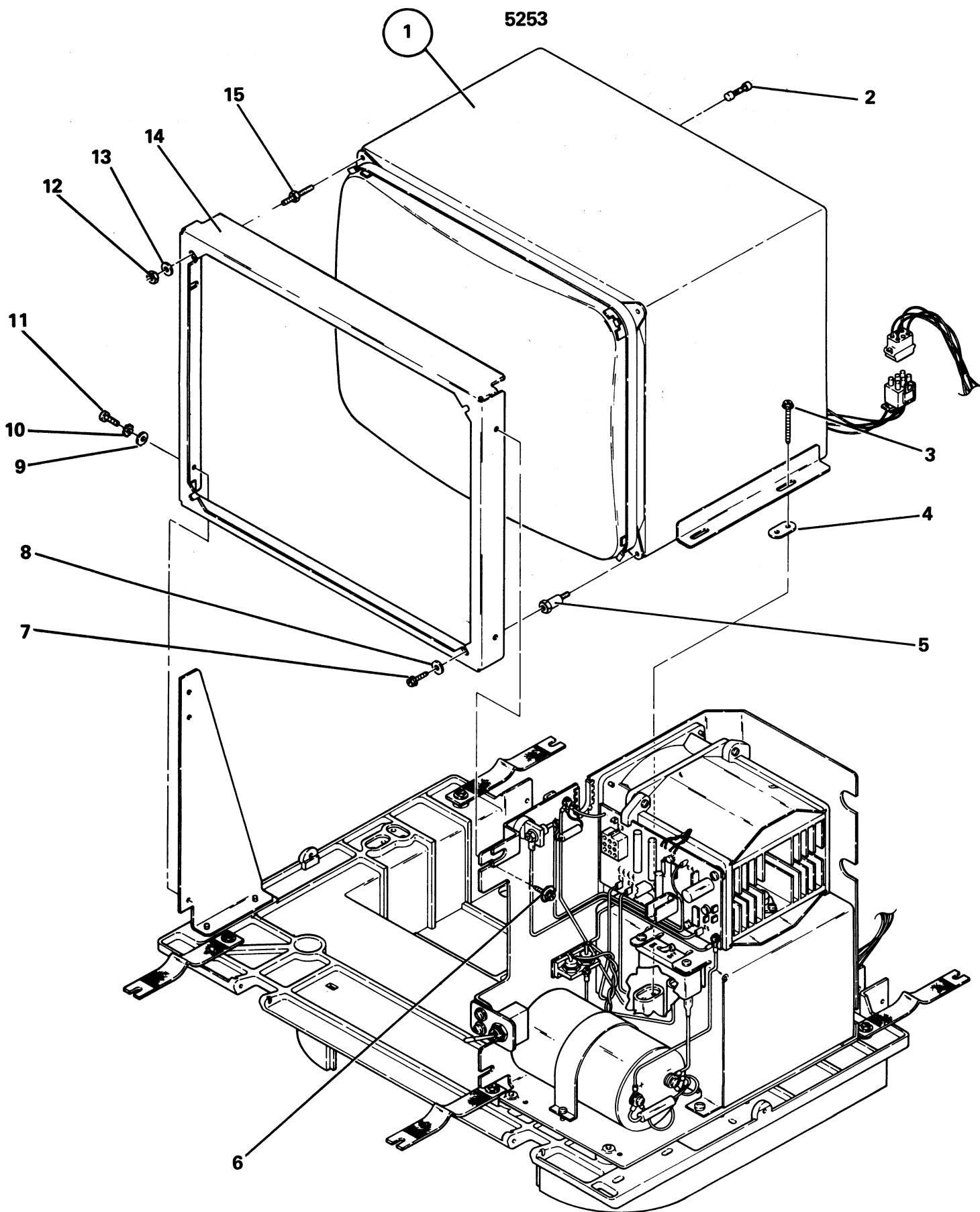


Figure 2. CRT Assembly

FIGURE- INDEX NUMBER	PART NUMBER	UNITS PER ASM.	DESCRIPTION FOR FIGURE 2			
			1	2	3	4
2	NO NO.		CRT ASSEMBLY			
- 1	7362374	1	• Display Unit, Type B, E, & M, English Labels			
- 1	7362475	1	• Display Unit, Type V, WT E/ME/A			
- 2	111264	1	• • Fuse, SB .75 Amp-Type E			
- 2	2420202	1	• • Fuse, .63 Amp-Type V, -WT E/ME/A			
- 2	78952	1	• • Fuse, SB .8 Amp-Type B			
- 2	303549	1	• • Fuse, SB 1 Amp-Type M			
- 2	8330854	1	• • Fuse, SB 1.25 Amp-Type B			
- 3	2767558	2	• Screw, M4 x .7 x 16 Lg			
- 4	7362357	2	• Shock Pad			
- 5	7362821	4	• Stud, -Type M			
- 6	7362545	2	• Screw, Thd Form Sems M4 x 10 mm Lg			
- 7	1621190	4	• Screw, Mach-Slot Pan Hd M4 x .7 x 8 Lg, -Type M			
- 8	1940	4	• Washer, Flat-No. 10 x 9/16 OD x 3/64 Thk- Type B, M, & E			
- 8						
- 9	45690	3	• Washer, Flat No. 10 x 7/16 OD x 1/32 Thk			
- 10	55901	3	• Washer, Lock-Ext Teeth 11/64 ID x 3/8 OD			
- 11	1621197	3	• Screw, Mach-Slot Pan Hd M4 x .7 x 6 Lg			
- 12	257189	4	• Nut, Hex 8-32 Unc Thd, Type B & E			
- 12	1622404	4	• • Nut, Hex Double Chamfer M5 x 8 Fl W x 4 Thk- WT E/ME/A			
- 12						
- 13	1622305	4	• • Washer, Flat 5.5 ID x 10 OD x 1 Thk, -WT E/ME/A			
- 14	8330741	1	• Mounting Bracket, 15 inch			
- 15	7362346	4	• Screw, CRT-Type B & E			

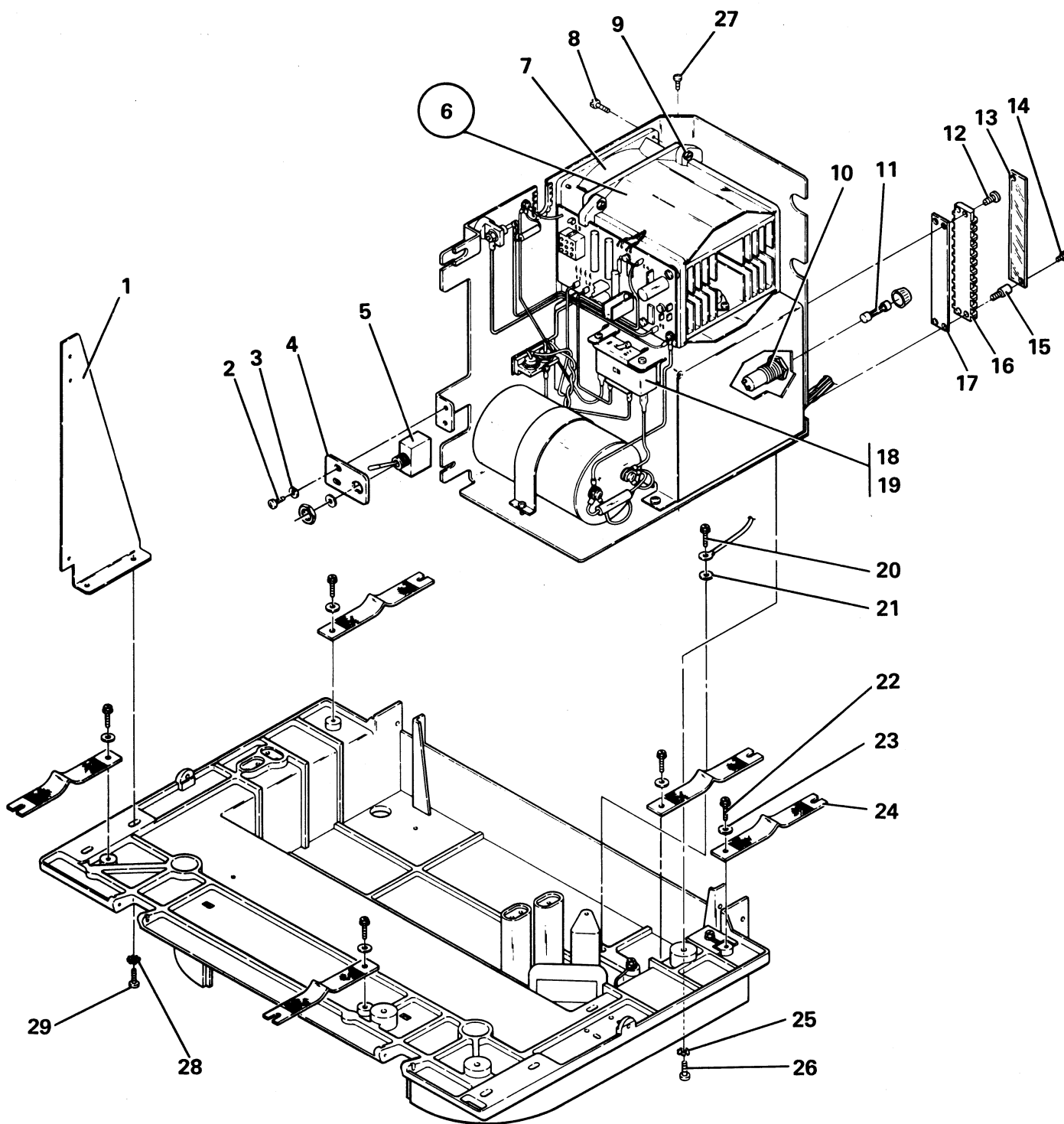


Figure 3. Power Supply Asm.

FIGURE- INDEX NUMBER	PART NUMBER	UNITS PER ASM.	DESCRIPTION FOR FIGURE 3			
			1	2	3	4
3	NO NO.		POWER SUPPLY ASSEMBLY			
- 1	7362009	1	• Brace			
- 2	1621210	2	• Screw, Mach-Slot Pan Hd M5 x .8 x 10 Lg			
- 3	1622347	2	• Washer, Lock-Ext Star 5.3 ID x 10 OD x .6 Thk			
- 4	2767336	1	• Bracket, Switch Mounting			
- 5	7362253	1	• Switch, Power-on			
- 6	7363901	1	• Power Supply Asm (115V 60 Hz)			
- 6			(See Fig. 4 for E/ME/A Power Supply)			
- 6	7363902	1	• Power Supply Asm (100V/200V 50/60Hz)			
- 7	7363483	1	• • Fan			
- 8	2461889	4	• • Screw, Slot Hex Wshr Hd 8-16 x 19.05 Lg			
- 9	5552875	3	• • Screw, Thd-Form Hex Hd 8-16 x 9/16 Lg			
- 10	179946	1	• • Fuseholder			
- 11	1143492	1	• • Fuse-SB-4A (115V 60 Hz)			
- 11	1143492	1	• • Fuse-SB-4A (100V 50/60 Hz)			
- 11	615683	1	• • Fuse-SB-2A (200V 50/60 Hz)			
- 12	322550	2	• • Screw, Mach-Bind Hd 6-32 x 1/2 Lg (100/200V 50/60 Hz Only)			
- 13	533359	1	• • Shield, (100/200V 50/60 Hz Only)			
- 14	10170	2	• • Screw, Mach-Bind Hd No. 6-32 x 1/4 Lg (100/200V 50/60 Hz Only)			
- 15	5762407	2	• • Stud, Terminal Block-tapped (100/200V 50/60 Hz Only)			
- 16	2100194	1	• • Terminal Block (100/200V 50/60 Hz Only)			
- 17	472662	1	• • Marker Strip, (100/200V 50/60 Hz Only)			
- 18	5214551	1	• • Circuit Breaker			
- 19	38235	2	• • Screw, Mach-Bd Hd 6-32 x 5/16 Lg			
- 20	1621811	1	• Screw, Thd-Form Hex-Wshr Hd M4 x .7 x 10 Lg			
- 21	1622346	1	• Washer, Lock-Ext Star 4.3 ID x 8 OD x .5 Thk			
- 22	1621811	4	• Screw, Thd Form-Hex Wshr Hd M4 x .7 x 10 Lg			
- 23	1940	4	• Washer, Flat-No. 10 x 9/16 OD x 3/64 Thk			
- 24	7362368	4	• Ground Strap			
- 25	1622347	3	• Washer, Lock-Ext Star 5.3 ID x 10 OD x .6 Thk			
- 26	7362553	3	• Screw, Thd Form-Hex Wshr Hd M4 x 8mm Lg			
- 27	1621215	1	• Screw, Mach-Slot Pan Hd M5 x .8 x 30 Lg			
- 28	1622347	2	• Washer, Lock-Ext Star 5.3 ID x 10 OD x .6 Thk			
- 29	7362553	2	• Screw, Thd Form-Hex Wshr Hd M4 x 8mm Lg			

THIS PAGE INTENTIONALLY LEFT BLANK

FOR PARTS
NOT SHOWN
SEE FIG. 3

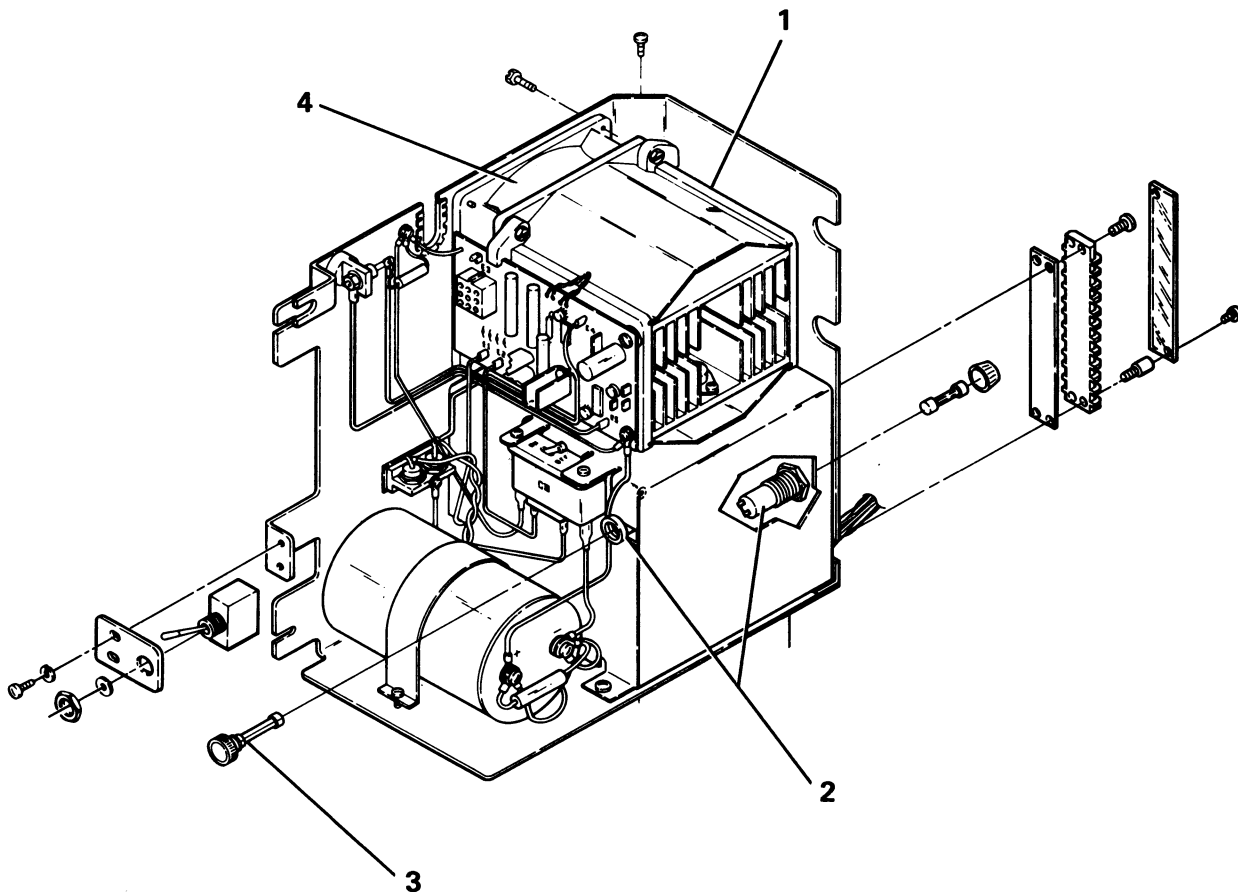


FIGURE- INDEX NUMBER	PART NUMBER	UNITS PER ASM.	DESCRIPTION FOR FIGURE 4				
			1	2	3	4	
4	NO NO.		E/ME/A POWER SUPPLY ASSEMBLY				
-	1	7363909	1	• Power Supply (100/200V 50/60 Hz) E/ME/A			
-	2	4201819	2	• • Fuse Holder			
-	3	615683	1	• • Fuse			
-	4	4176642	1	• • Fan			

Figure 4. E/ME/A Power Supply Asm.

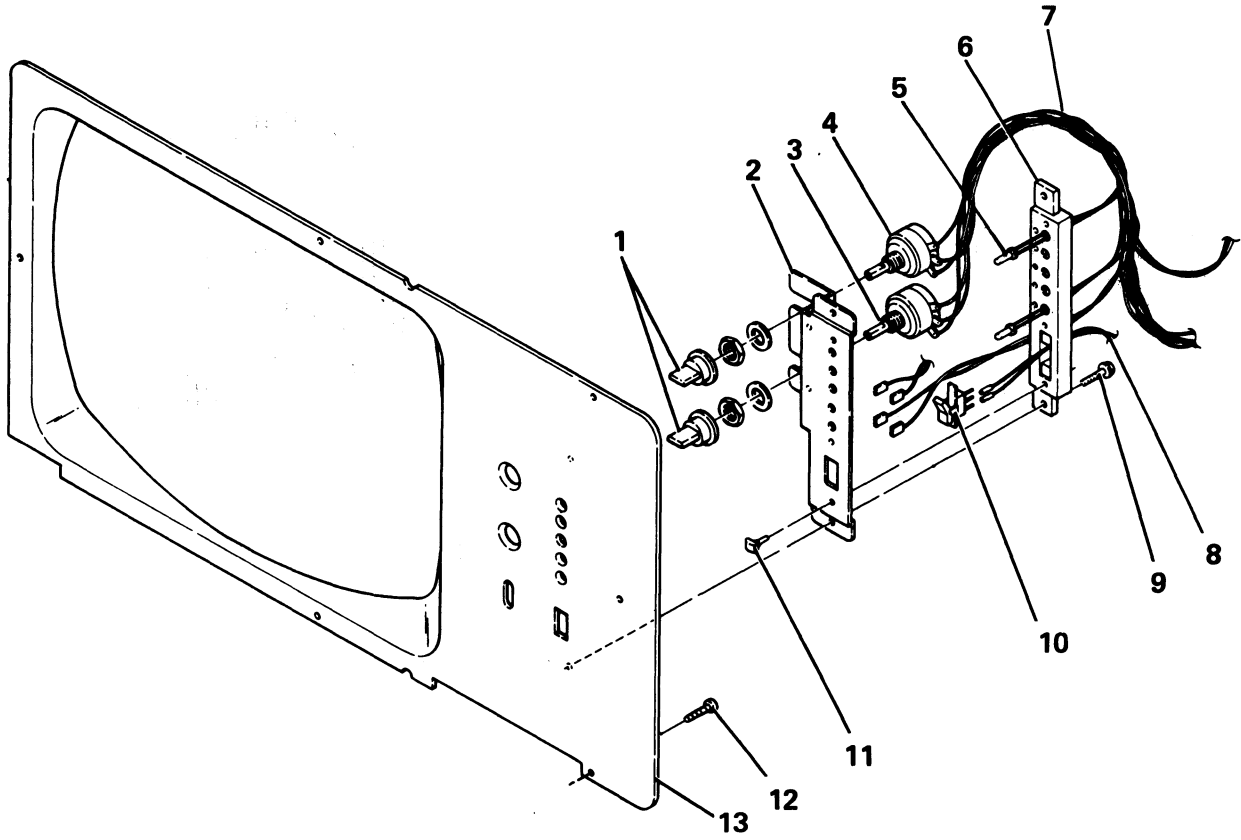


Figure 5. Bezel Asm.

FIGURE- INDEX NUMBER	PART NUMBER	UNITS PER ASM.	DESCRIPTION FOR FIGURE 5			
			1	2	3	4
5	NO NO.		BEZEL ASSEMBLY			
- 1	7362263	2	• Knob Asm			
- 2	7362008	1	• Bracket,LED And Switch			
- 3	2767289	1	• Potentiometer			
- 4	7362248	1	• Potentiometer			
- 5	8279268	5	• LED,Light			
- 6	7362200	1	• Block,LED			
- 7	7362158	1	• Cable Asm,CE Diag Ind And SW			
- 8	7363935	1	• Cable Asm,AC Distribution			
- 9	1608427	2	• Screw,Thd Form-Hex Wshr Hd 6-19 x 1/2 Lg			
- 10	1608571	1	• Switch			
- 11	2632773	3	• Clip			
- 12	1608277	6	• Screw,Thd Form-Hex Wshr Hd 6-19 x 3/8 Lg			
- 13	7363819	1	• Bezel, English/U.S./A/FE			
- 13	7363946	1	• Bezel, French Canadian			
- 13	7363805	1	• Bezel, English - E/ME/A			
- 13	7363827	1	• Bezel, French - E/ME/A			
- 13	7363828	1	• Bezel, Dutch - E/ME/A			
- 13	7363816	1	• Bezel, German - E/ME/A			
- 13	7363817	1	• Bezel, Italian - E/ME/A			
- 13	7363818	1	• Bezel, Swedish - E/ME/A			
- 13	7363916	1	• Bezel, Norwegian - E/ME/A			

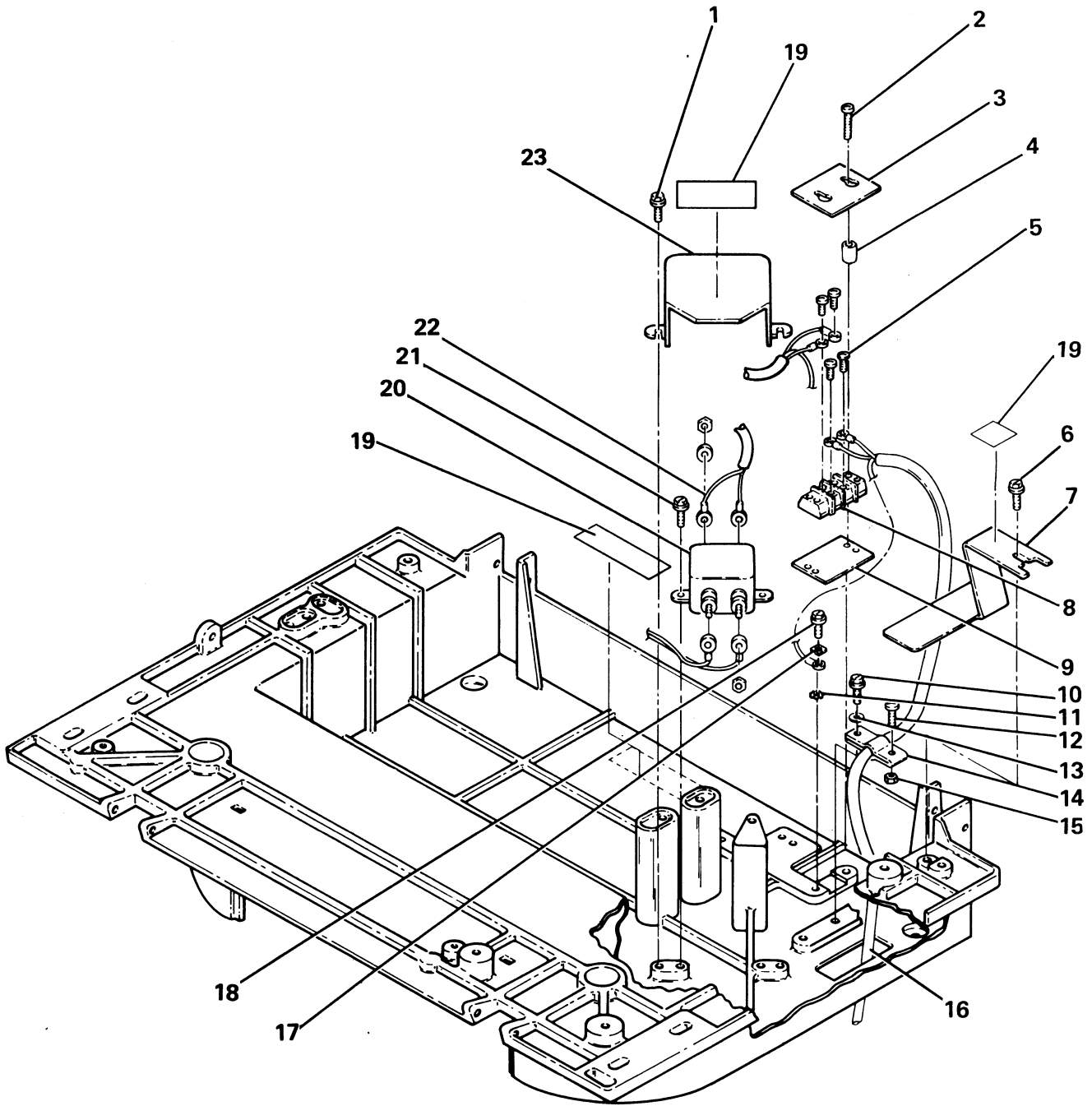


Figure 6. Line Filter Asm.

FIGURE-INDEX NUMBER	PART NUMBER	UNITS PER ASM.	DESCRIPTION FOR FIGURE 6			
			1	2	3	4
6	NO NO.		LINE FILTER ASSEMBLY			
- 1	1621811	2	• Screw,Thd-Form Hex-wshr Hd M4 x .7 x 10 Lg			
- 2	8330860	2	• Screw,Thd-Form Wshr Hd M4 x .7 x 8 Lg			
- 3	5319909	1	• Cover Term Block			
- 4	8330861	2	• Spacer			
- 5	323836	4	• Screw Term Block			
- 6	1621811	1	• Screw,Thd-Form Hex-Wshr Hd M4 x .7 x 10 Lg			
- 7	8330740	1	• Cable Entry Cover			
- 8	323836	1	• Terminal Block			
- 9	5318920	1	• Insulator Strip			
- 10	1621813	1	• Screw,Thd-Form Hex-Wshr Hd M4 x .7 x 16 Lg			
- 11	1622346	1	• Washer,Lock-Ext Star 4.3 ID x 8 OD x .5 Thk			
- 12	1621193	1	• Screw,Mach-Slot Pan Hd M4 x .7 x 16 Lg			
- 13	22478	1	• Washer,Flat 11/64 ID x 3/8 OD x 1/32 Thk			
- 14	7362434	1	• Clamp Line Cord			
- 15	1622403	1	• Nut,Hex-Double Chamfer M4x7 Fl Wx 3.2 Thk			
- 16	NO NO.	1	• See Line Cord Chart, Figure 6A			
- 17	2420051	2	• Washer Clamp			
- 18	7362385	1	• Screw,Thd-Form Wshr Hd M4 x .7 x 8 Lg			
- 19	8330736	1	• Label			
- 20	7362406	1	• Line Filter			
- 21	7362385	2	• Screw,Thd-Form Wshr Hd M4 x .7 x 8 Lg			
- 22	7363935	1	• AC Dist. Cable, To On/Off Switch			
- 23	7362363	1	• Filter Cover			

THIS PAGE INTENTIONALLY LEFT BLANK

Line Cord Chart










Plug	P/N	Country
 Lock	7362285	1.8 M Lg., U.S.
	7362286	2.5 M Lg., U.S.
 Non-Lock	7362187	1.8 M Lg., U.S.
	7362284	2.5 M Lg., U.S., Bahamas, Barbados, Bermuda, Bolivia, Costa Rica, Brazil, Dominican Republic, Ecuador, Hong Kong, El Salvador, Guatemala, Honduras, Jamaica, Mexico, Trinidad, Netherland Antilles, Nicaragua, Panama, Peru, Philippines, Taiwan, Thailand
No Plug	7362214	WTC, 60 Hz
No Plug	7362215	WTC, 50 Hz
	7362332	Australia, Hong Kong, Argentina, Brazil, Chile, Columbia, New Zealand, Paraguay, Uruguay, Venezuela, Trinidad
	7362333	Finland, Germany, Norway, Netherlands, Sweden, Austria, Spain, Indonesia, Iran, Bulgaria, Portugal, Iceland, Poland, Rumania, and Turkey
	7362334	United Kingdom, Ireland, Malaysia
	7362335	France, Belgium, Algeria, Hungary, Yugoslavia, and Greece
	7362336	Switzerland
	2767646	Denmark
	2767647	Italy

Figure 6A. Line Cord Chart

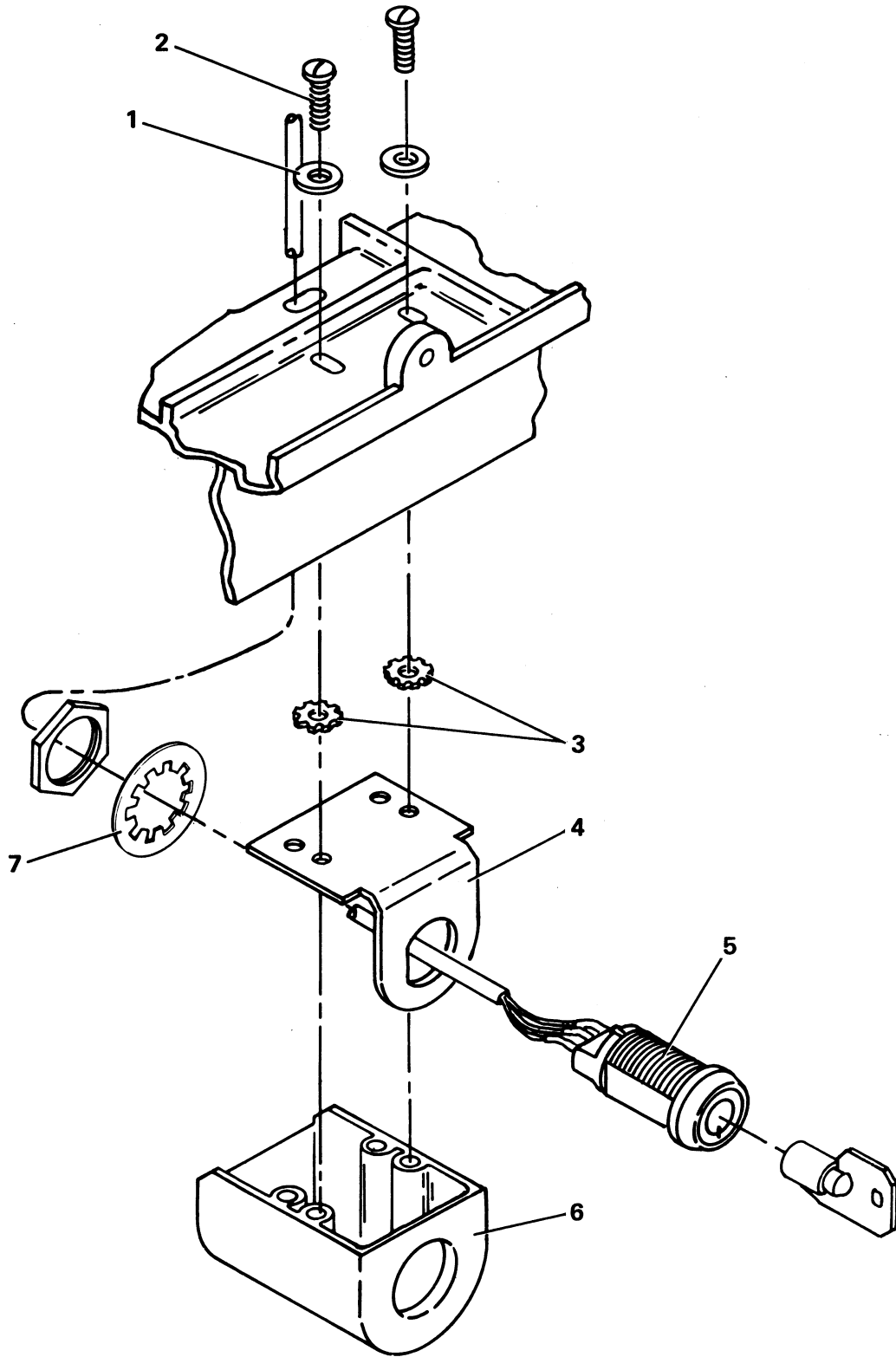


Figure 7. Keylock Asm.

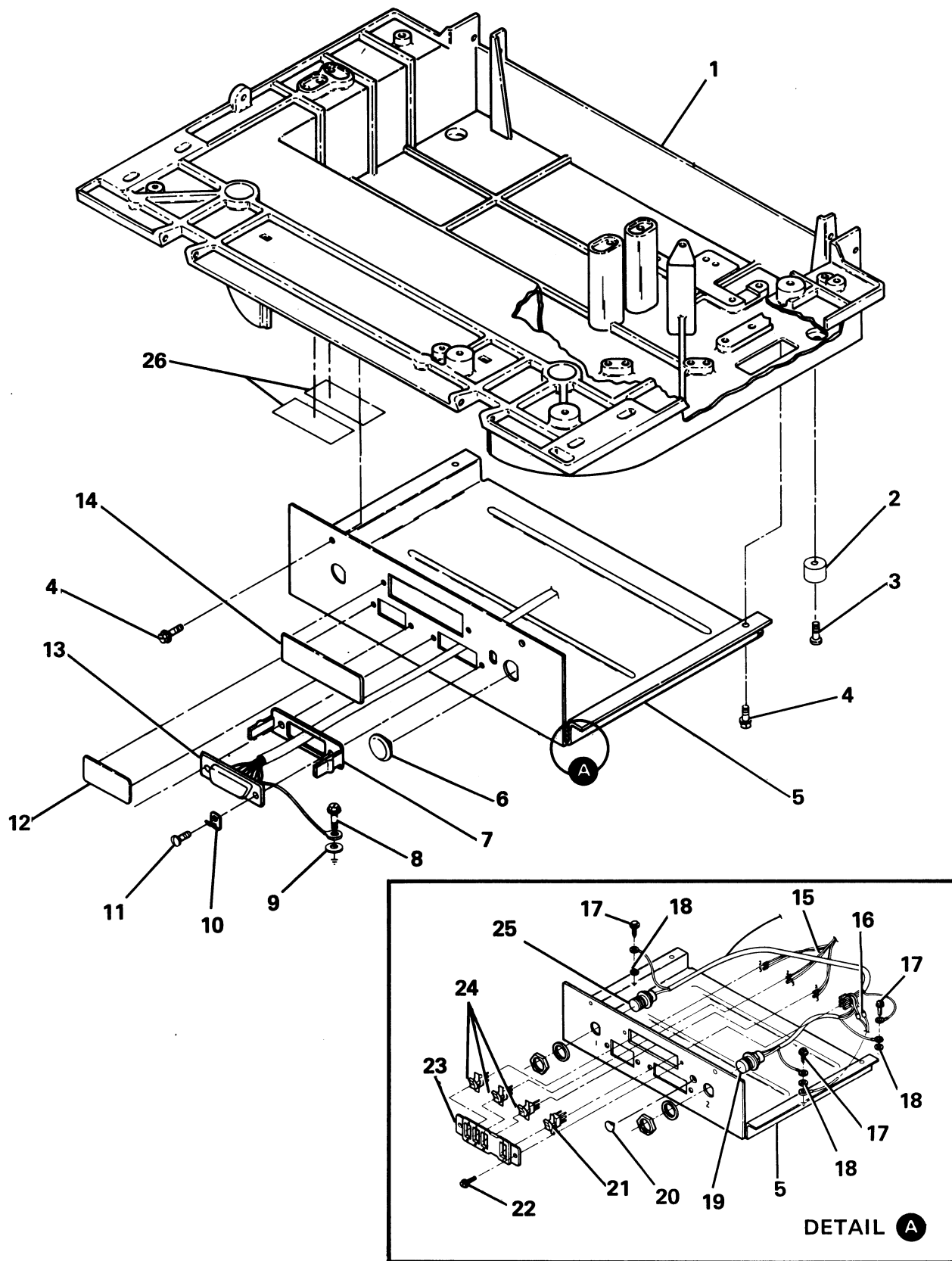


Figure 8. Base and Tray Asm.

FIGURE-INDEX NUMBER	PART NUMBER	UNITS PER ASM.	DESCRIPTION FOR FIGURE 8			
			1	2	3	4
8	NO NO.		BASE AND TRAY ASSEMBLY			
- 1	7362105	1	• Base Casting			
- 2	7362021	4	• Foot Pad			
- 3	7362508	4	• Screw,Thd Form-Hex Wshr Hd M4 x 16mm Lg			
- 4	1621811	4	• Screw,Thd-Form Hex-Wshr Hd M4 x .7 x 10 Lg			
- 5	7362141	1	• Tray			
- 6	7362351	1	• Plug			
- 7	7362471	1	• Retainer			
- 8	1621811	1	• Screw,Thd-Form Hex-Wshr Hd M4 x .7 x 10 Lg			
- 9	1622346	1	• Washer,Lock-Ext Star 4.3 ID x 8 OD x .5 Thk			
- 10	7362199	1	• Clip			
- 11	7362432	2	• Screw,Pan Hd M2.5 x .45 x 10 Lg			
- 12	7362500	1	• Plug			
- 13	7362169	1	• Cable Asm,Keyboard Disconnect To Planar			
- 14	7362324	1	• Plug			
- 15	7362158	1	• Cable Asm. CE Diag Ind And SW			
- 16	7362344	1	• Resistor Asm			
- 17	1621811	3	• Screw,Thd-Form Hex-Wshr Hd M4 x .7 x 10 Lg			
- 18	1622346	3	• Washer,Lock-Ext Star 4.3 ID x 8 OD x .5 Thk			
- 19	7362181	1	• Cable Asm,Twinax Conn To Cft Dist			
- 20	7362352	1	• Plug Coax			
- 21	7362328	1	• Switch,Terminator			
- 22	7362338	2	• Screw,Thd-Form Hex Hd 3.5 x .6 x 10 Lg			
- 23	7362148	1	• Plate			
- 24	1608571	3	• Switch,Address			
- 25	7362180	1	• Cable Asm,Twinax Conn To Planar And Cft			
- 26	7362020	1	• Label - Ref Dwg			

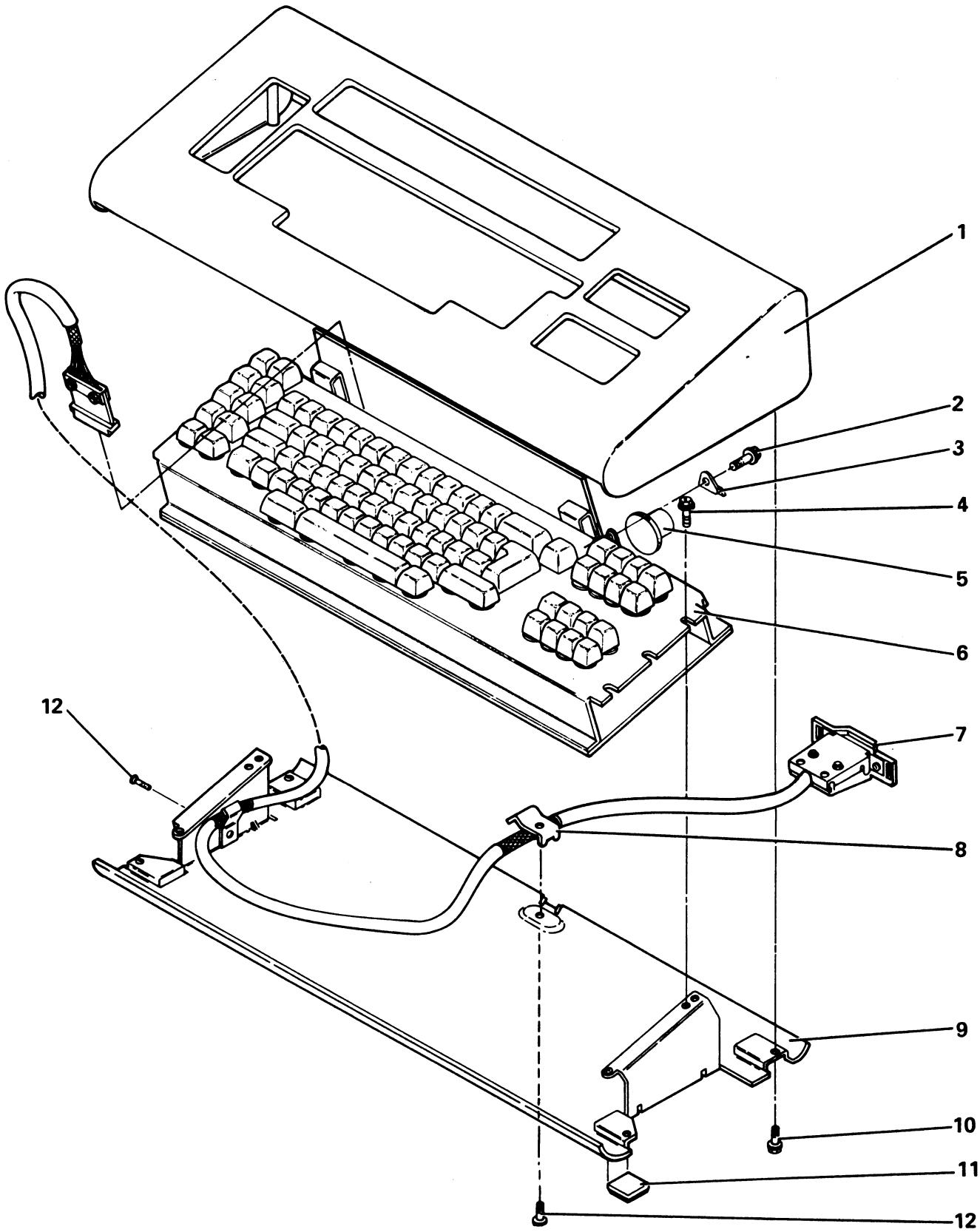


Figure 9. Keyboard Asm.

FIGURE- INDEX NUMBER	PART NUMBER	UNITS PER ASM.	DESCRIPTION FOR FIGURE 9			
			1	2	3	4
9	NO NO.		KEYBOARD ASSEMBLY			
- 1	7363871	1	• Cover			
- 1	7362184	1	• Cover, WT			
- 2	2181005	1	• Screw,Thd Form-hex Wshr Hd 6-32 x 3/8 Lg			
- 3	7363921	1	• Clamp			
- 4	7362338	4	• Screw,Hex Wshr Hd M4 x .7 x 12 Lg			
- 5	7363808	1	• Speaker Asm			
- 6	8542462	1	• CSA Key Unit Asm - U.S.- 82 Key			
- 6	8542463	1	• CSA Key Unit Asm - U.S.- 84 Key			
- 6	8542595	1	• CSA Key Unit Asm - Canada-Bilingual			
- 6	8542596	1	• CSA Key Unit Asm - Canada French			
- 6	4496246	1	• CSA Key Unit Asm - Denmark			
- 6	4496247	1	• CSA Key Unit Asm - France/Belgium (Dutch)			
- 6	4496248	1	• CSA Key Unit Asm - France/Belgium (French)			
- 6	4496249	1	• CSA Key Unit Asm - German/Austria (German)			
- 6	4496250	1	• CSA Key Unit Asm - Italy			
- 6	4496251	1	• CSA Key Unit Asm - Netherlands			
- 6	4496252	1	• CSA Key Unit Asm - Norway			
- 6	4496254	1	• CSA Key Unit Asm - Sweden			
- 6	4496255	1	• CSA Key Unit Asm - Switzerland (French)			
- 6	4496256	1	• CSA Key Unit Asm - Switzerland (German)			
- 6	4496257	1	• CSA Key Unit Asm - U.K.			
- 7	7363809	1	• Cable Asm			
- 8	7362506	2	• Clamp			
- 9	7363870	1	• Base			
- 10	7362507	4	• Screw,Hex Wshr Hd M4 x .7 x 12 Lg			
- 11	5554146	4	• Bumper			
- 12	1621191	2	• Screw,Mach-Slot Pan Hd M4 x .7 x 10 Lg			

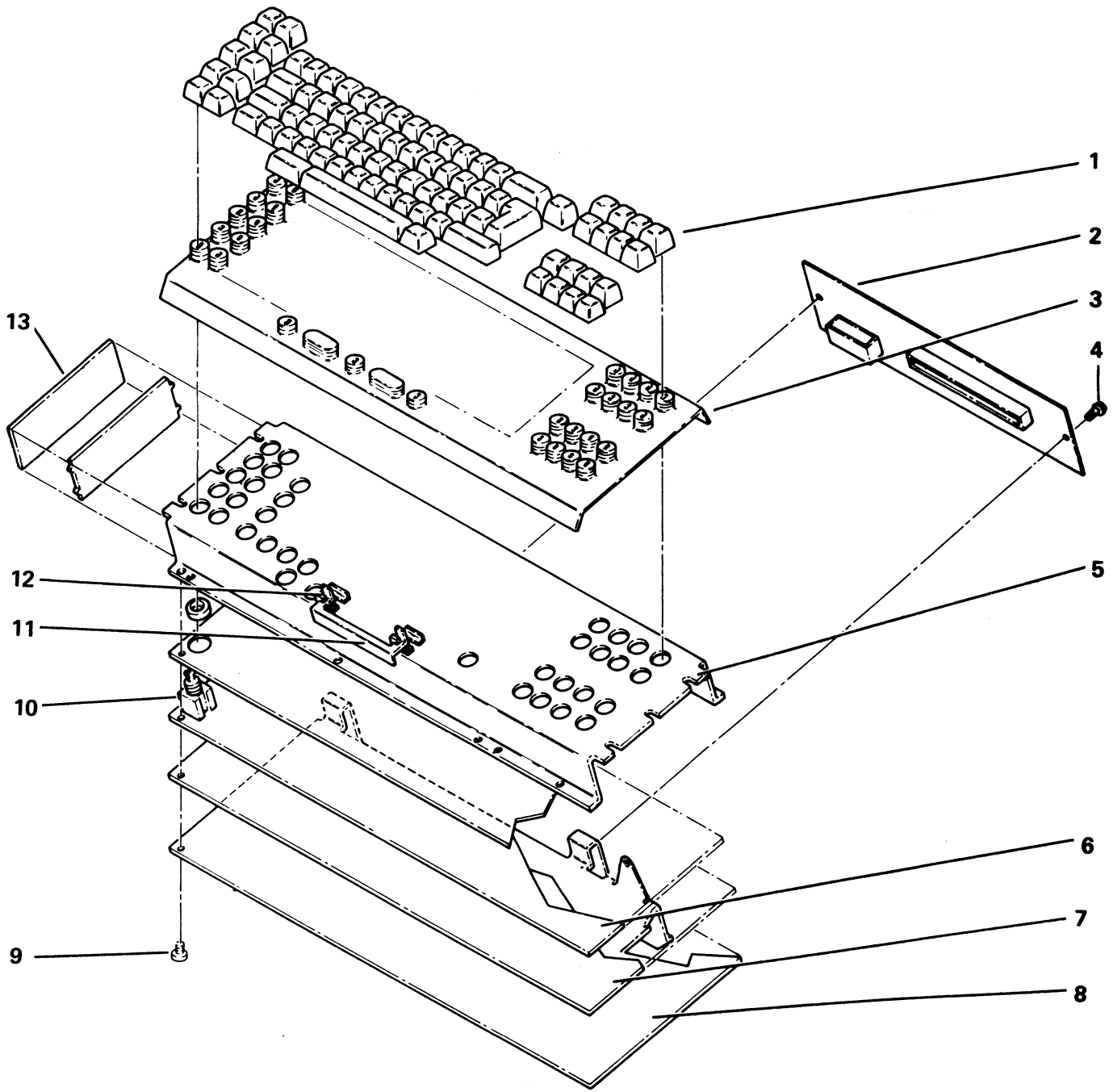
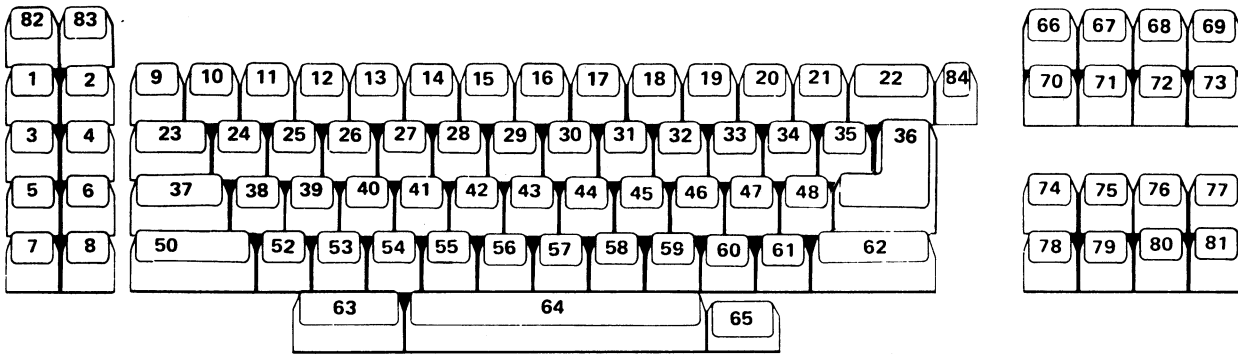


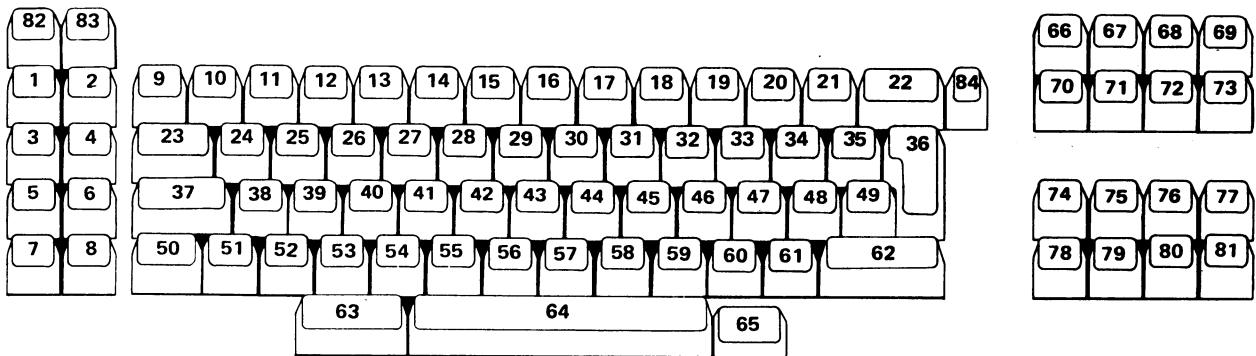
Figure 10. Keyboard Asm.

FIGURE- INDEX NUMBER	PART NUMBER	UNITS PER ASM.	DESCRIPTION FOR FIGURE 10				
			1	2	3	4	
10	NO NO.						KEYBOARD ASSEMBLY
- 1	NO NO.	1					• See Keybutton Chart
- 2	5194443	1					• PC Card Asm
- 3	8542633	1					• Contamination Shield
- 4	1786825	2					• Screw,Thd-Form 6-32 x 7/16 Lg
- 5	8542629	1					• Frame Asm
- 6	7388872	1					• Pad PC Board, 84 Key
- 6	7388871	1					• Pad PC Board, 82 Key
- 7	8542634	1					• Insulator
- 8	8542636	1					• Baseplate
- 9	1786825	1					• Screw,Thd-form 6-32 x 7/16 Lg
- 10	1748131						• Module
- 10	5194146						• Module,No Return Spring Or Flyplate
- 11	8542659	1					• Bail
- 12	5587967						• Bail Pivot
- 13	8542637	1					• End Plate Asm



82 Position Keyboard

COUNTRY	PART POS NUMBER	PART POS NUMBER	PART POS NUMBER	PART POS NUMBER
U.S.	1	8627441	22	8326038
	2	4496343	23	8326040
	3	8326009	24	5997201
	4	8627154	25	5997202
	5	8326013	26	8627086
	6	8326015	27	8627452
	7	8326017	28	8326048
	8	8627156	29	8627704
	9	8326020	30	8326052
	10	8326021	31	8326054
	11	8326022	32	8326056
	12	8627608	33	8326057
	13	8326025	34	8326058
	14	8326026	35	8627732
	15	8326027	36	5997335
	16	8627609	37	8326062
	17	8326029	38	5997204
	18	8326032	39	5997205
	19	8326033	40	8627089
	20	8326035	41	8627090
	21	8326036	42	8326069
		43	8627705	
		44	5997206	
		45	8326073	
		46	5193156	
		47	5997207	
		48	8326076	
		49	Not Used	
		50	8326282	
		51	Not Used	
		52	8326080	
		53	8326082	
		54	8326083	
		55	8326084	
		56	8326086	
		57	8627706	
		58	8627707	
		59	8627734	
		60	8326092	
		61	8326093	
		62	8326094	
		63	8326095	
		64	8542658	
		65	8326098	
		66	8326101	
		67	8326103	
		68	8326105	
		69	8627093	
		70	8627598	
		71	8627150	
		72	8627151	
		73	4585539	
		74	8326268	
		75	8326269	
		76	8326270	
		77	8326271	
		78	8326273	
		79	8326275	
		80	8326277	
		81	8326279	
		82	1853569	
		83	1853569	
		84	8542860	



84 Position Keyboard

COUNTRY	PART POS NUMBER	PART POS NUMBER	PART POS NUMBER	PART POS NUMBER
U.S.	1	8627441	22	8326038
	2	4496343	23	8326040
	3	8326009	24	5997201
	4	8627154	25	5997202
	5	8326013	26	8627086
	6	8326015	27	8627452
	7	8326017	28	8326048
	8	8627156	29	8627704
	9	8326020	30	8326052
	10	8326021	31	8326054
	11	8326022	32	8326056
	12	8627608	33	8326057
	13	8326025	34	8326058
	14	8326026	35	8627732
	15	8326027	36	2689522
	16	8627609	37	8326062
	17	8326029	38	5997204
	18	8326032	39	5997205
	19	8326033	40	8627089
	20	8326035	41	8627090
	21	8326036	42	8326069
		43	8627705	
		44	5997206	
		45	8326073	
		46	5193156	
		47	5997207	
		48	8326076	
		49	8326077	
		50	5192728	
		51	8326079	
		52	8326080	
		53	8326082	
		54	8326083	
		55	8326084	
		56	8326086	
		57	8627706	
		58	8627707	
		59	8627734	
		60	8326092	
		61	8326093	
		62	8326094	
		63	8326095	
		64	8542658	
		65	8326098	
		66	8326101	
		67	8326103	
		68	8326105	
		69	8627093	
		70	8627598	
		71	8627150	
		72	8627151	
		73	4585539	
		74	8326268	
		75	8326269	
		76	8326270	
		77	8326271	
		78	8326273	
		79	8326275	
		80	8326277	
		81	8326279	
		82	1853569	
		83	1853569	
		84	8542860	

COUNTRY	POS	PART NUMBER	POS	PART NUMBER
Canada	1	8627601	43	8627705
(French)	2	4585097	44	4996346
	3	8627079	45	8326073
	4	8627081	46	4996347
	5	8627756	47	5997207
	6	8627083	48	8627521
	7	8627757	49	8326077
	8	8627085	50	1643636
	9	8627517	51	8627522
	10	8326021	52	8326080
	11	8326022	53	2657831
	12	2657746	54	8326083
	13	8326025	55	8326084
	14	8326026	56	8326086
	15	8326027	57	8627706
	16	2657747	58	8627707
	17	8326029	59	8627538
	18	2657748	60	8627523
	19	8326033	61	8627524
	20	8627611	62	8542925
	21	8326036	63	8326095
	22	8627589	64	8627716
	23	8627599	65	2657930
	24	5997201	66	8627758
	25	5997202	67	8627759
	26	2658004	68	2658327
	27	2658016	69	8627735
	28	2658006	70	8678578
	29	8627704	71	8627762
	30	2658007	72	8627763
	31	8326309	73	8627764
	32	2658008	74	8627765
	33	8326057	75	8627747
	34	8627518	76	8627748
	35	8627520	77	8627749
	36	2689523	78	8627766
	37	8627593	79	8627767
	38	5997204	80	8627768
	39	5997205	81	8627769
	40	2658009	82	1853569
	41	2658010	83	1853569
	42	2658022	84	8542860

COUNTRY	POS	PART NUMBER	POS	PART NUMBER
Canada	1	8627601	43	8627705
(Bilingual)	2	4496343	44	5997206
	3	8627079	45	8326073
	4	8627081	46	5193156
	5	8326013	47	5997207
	6	8627083	48	8627521
	7	8326017	49	8326077
	8	8627085	50	1643636
	9	8627517	51	8627522
	10	8326021	52	8326080
	11	8326022	53	8326082
	12	8627608	54	8326083
	13	8326025	55	8326084
	14	8326026	56	8326086
	15	8326027	57	8627706
	16	8627609	58	8627707
	17	8326029	59	8627538
	18	8326032	60	8627523
	19	8326033	61	8627524
	20	8627611	62	8542925
	21	8326036	63	8326095
	22	8627589	64	8627716
	23	8627599	65	8326098
	24	5997201	66	8326101
	25	5997202	67	8326103
	26	8627086	68	8326105
	27	8627452	69	8627093
	28	8326048	70	8627598
	29	8627704	71	8326262
	30	8326052	72	8326264
	31	8326309	73	4585538
	32	8326056	74	8326268
	33	8326057	75	8326269
	34	8627518	76	8326270
	35	8627520	77	8326271
	36	2689523	78	8326273
	37	8627593	79	8326275
	38	5997204	80	8326277
	39	5997205	81	8326279
	40	8627089	82	1853569
	41	8627090	83	1853569
	42	8326069	84	8542860

COUNTRY	POS	PART NUMBER	POS	PART NUMBER
Denmark	1	4496446	43	4496476
	2	4496887	44	4496897
	3	4496450	45	2689095
	4	4496452	46	4496898
	5	1642286	47	4496899
	6	4496454	48	2689536
	7	4496891	49	2689537
	8	4496458	50	2689037
	9	2689531	51	2689427
	10	2689053	52	2689100
	11	2689470	53	4496707
	12	4496892	54	2689102
	13	2689056	55	2689104
	14	2689057	56	4496591
	15	2689472	57	4496482
	16	4496576	58	4496483
	17	2689474	59	4496484
	18	4496893	60	2689518
	19	2689476	61	4496485
	20	2689532	62	2689038
	21	2689492	63	1642294
	22	2689214	64	2689186
	23	2689216	65	4496900
	24	4496461	66	4496901
	25	4496462	67	4496902
	26	4496579	68	4496492
	27	4496580	69	4496904
	28	4496894	70	4496906
	29	4496529	71	4496907
	30	4496895	72	4496909
	31	2689218	73	4496911
	32	4496583	74	4496913
	33	2689080	75	4496914
	34	2689533	76	4496559
	35	4496532	77	4496915
	36	4496470	78	4496917
	37	2689223	79	4496919
	38	2689085	80	4497028
	39	2689086	81	4496921
	40	4496584	82	2689031
	41	4496896	83	2689031
	42	4496586	84	2689189

COUNTRY	POS	PART NUMBER	POS	PART NUMBER
France/ Belgium AZERTY w/Dutch	1	4496446	43	4496476
	2	4496622	44	4496640
	3	4496450	45	2689095
	4	4496452	46	4496641
	5	4496624	47	4496757
	6	4496454	48	2689425
	7	4496626	49	2689426
	8	4496628	50	2689037
	9	2689407	51	2689427
	10	2689408	52	2689169
	11	2689409	53	4496643
	12	4497029	54	2689102
	13	2689411	55	2689104
	14	2689412	56	4496644
	15	2689413	57	4496482
	16	4497030	58	4496759
	17	2689415	59	4496760
	18	1642374	60	2689430
	19	2689417	61	2689431
	20	2689418	62	2689038
	21	4496743	63	2689112
	22	2689214	64	2689186
	23	2689216	65	4496646
	24	4496744	66	4496648
	25	4496745	67	4496650
	26	4496631	68	4496652
	27	4496632	69	4496654
	28	4496633	70	4496655
	29	4496529	71	4496657
	30	4496634	72	4496659
	31	2689218	73	4496661
	32	4496635	74	4496663
	33	2689080	75	4496664
	34	2689421	76	4496665
	35	4496751	77	4496666
	36	4496470	78	4496668
	37	2689223	79	4496670
	38	2689423	80	4496672
	39	2689086	81	4496674
	40	4496637	82	2689031
	41	4496638	83	2689031
	42	4496639	84	2689189

COUNTRY	POS	PART NUMBER	POS	PART NUMBER
France/ Belgium AZERTY w/French	1	4496446	43	4496476
	2	4496738	44	4496755
	3	4496450	45	2689095
	4	4496452	46	4496756
	5	1642091	47	4496757
	6	4496454	48	2689425
	7	4496740	49	2689426
	8	4496458	50	2689037
	9	2689407	51	2689427
	10	2689408	52	2689169
	11	2689409	53	4496758
	12	4496741	54	2689102
	13	2689411	55	2689104
	14	2689412	56	4496708
	15	2689413	57	4496482
	16	4496742	58	4496759
	17	2689415	59	4496760
	18	1642110	60	2689430
	19	2689417	61	2689431
	20	2689418	62	2689038
	21	4496743	63	2689112
	22	2689214	64	2689186
	23	2689216	65	4496761
	24	4496744	66	4496763
	25	4496745	67	4496765
	26	4496746	68	4496767
	27	4496747	69	4496768
	28	4496748	70	4496770
	29	4496529	71	4496772
	30	4496749	72	4496774
	31	2689218	73	4496776
	32	4496750	74	4496778
	33	2689080	75	4496779
	34	2689421	76	4496780
	35	4496751	77	4496781
	36	4496470	78	4496783
	37	2689223	79	4496785
	38	2689423	80	4496787
	39	2689086	81	4496789
	40	4496752	82	2689031
	41	4496753	83	2689031
	42	4496754	84	2689189

COUNTRY	POS	PART NUMBER	POS	PART NUMBER
Germany/ Austria	1	4496446	43	4496476
	2	4496448	44	4496477
	3	4496450	45	2689095
	4	4496452	46	4496478
	5	1642103	47	4496518
	6	4496454	48	2689513
	7	4496456	49	2689514
	8	4496458	50	2689037
	9	2689488	51	2689515
	10	2689053	52	2689516
	11	2689470	53	4496480
	12	4496516	54	2689102
	13	2689056	55	2689104
	14	2689057	56	4496481
	15	2689472	57	4496482
	16	4496460	58	4496483
	17	2689474	59	4496484
	18	1642106	60	2689518
	19	2689476	61	4496485
	20	2689491	62	2689038
	21	2689492	63	2689112
	22	2689214	64	2689186
	23	2689216	65	4496486
	24	4496461	66	4496488
	25	4496462	67	4496490
	26	4496463	68	4496492
	27	4496464	69	4496494
	28	4496465	70	4496496
	29	4496466	71	4496498
	30	4496467	72	4496500
	31	2689218	73	4496502
	32	4496468	74	4496504
	33	2689080	75	4496505
	34	2689510	76	4496506
	35	4496517	77	4496507
	36	4496470	78	4496509
	37	2689223	79	4496511
	38	4496471	80	4496513
	39	4496472	81	4496515
	40	4496473	82	2689031
	41	4496474	83	2689031
	42	4496475	84	2689189

COUNTRY	POS	PART NUMBER	POS	PART NUMBER
Italy	1	4496446	43	4496476
	2	4496791	44	4496805
	3	4496450	45	2689095
	4	4496452	46	4496806
	5	1642098	47	4496757
	6	4496454	48	2689425
	7	4496793	49	2689455
	8	4496458	50	2689037
	9	2689439	51	2689427
	10	2689408	52	2689169
	11	2689440	53	4496807
	12	4496794	54	2689102
	13	2689442	55	2689104
	14	2689443	56	4496644
	15	2689444	57	4496482
	16	4496795	58	4496759
	17	2689446	59	4496760
	18	1642100	60	2689430
	19	2689448	61	2689456
	20	4496743	62	2689038
	21	2689449	63	2689457
	22	2689214	64	2689186
	23	2689216	65	4496808
	24	4496461	66	4496810
	25	4496745	67	4496812
	26	4496796	68	4496814
	27	4496797	69	4496816
	28	4496798	70	4496496
	29	4496529	71	4496818
	30	4496799	72	4496820
	31	2689218	73	4496822
	32	4496800	74	4496824
	33	2689080	75	4496825
	34	4585540	76	4496826
	35	4496801	77	4496827
	36	4496470	78	4496829
	37	2689223	79	4496831
	38	2689085	80	4496833
	39	2689086	81	4496835
	40	4496802	82	2689031
	41	4496803	83	2689031
	42	4496804	84	2689189

COUNTRY	POS	PART NUMBER	POS	PART NUMBER
Netherlands	1	4496446	43	4496476
	2	4496622	44	4496640
	3	4496450	45	2689095
	4	4496452	46	4496641
	5	4496624	47	4496642
	6	4496454	48	2689226
	7	4496626	49	2689556
	8	4496628	50	2689037
	9	2689407	51	2689557
	10	2689053	52	2689100
	11	2689470	53	4496643
	12	4496629	54	2689102
	13	2689056	55	2689104
	14	2689057	56	4496644
	15	2689472	57	4496482
	16	4496630	58	4496483
	17	2689474	59	4496484
	18	1642106	60	2689109
	19	2689476	61	4496485
	20	2689539	62	2689038
	21	2689439	63	2689112
	22	2689214	64	2689186
	23	2689216	65	4496646
	24	4496461	66	4496648
	25	4496462	67	4496650
	26	4496631	68	4496652
	27	4496632	69	4496654
	28	4496633	70	4496655
	29	4496529	71	4496657
	30	4496634	72	4496659
	31	2689218	73	4496661
	32	4496635	74	4496663
	33	2689080	75	4496664
	34	2689552	76	4496665
	35	4496636	77	4496666
	36	4496470	78	4496668
	37	2689223	79	4496670
	38	4496471	80	4496672
	39	4496472	81	4496674
	40	4496637	82	2689031
	41	4496638	83	2689031
	42	4496639	84	2689189

COUNTRY	POS	PART NUMBER	POS	PART NUMBER
Norway	1	4496446	43	4496476
	2	4496570	44	4496587
	3	4496450	45	2689095
	4	4496452	46	4496588
	5	1642286	47	4496589
	6	4496454	48	2689535
	7	4496574	49	2689537
	8	4496458	50	2689037
	9	2689531	51	2689427
	10	2689053	52	2689100
	11	2689470	53	4496590
	12	4496575	54	2689102
	13	2689056	55	2689104
	14	2689057	56	4496591
	15	2689472	57	4496482
	16	4496576	58	4496483
	17	2689474	59	4496484
	18	4496577	60	2689518
	19	2689476	61	4496485
	20	2689532	62	2689038
	21	2689492	63	1642294
	22	2689214	64	2689186
	23	2689216	65	4496592
	24	4496461	66	4496594
	25	4496462	67	4496596
	26	4496579	68	4496598
	27	4496580	69	4496600
	28	4496581	70	4496602
	29	4496529	71	4496604
	30	4496582	72	4496606
	31	2689218	73	4496608
	32	4496583	74	4496610
	33	2689080	75	4496611
	34	2689533	76	4496559
	35	4496532	77	4496612
	36	4496470	78	4496614
	37	2689223	79	4496616
	38	2689085	80	4496618
	39	2689086	81	4496620
	40	4496584	82	2689031
	41	4496585	83	2689031
	42	4496586	84	2689189

COUNTRY	POS	PART NUMBER	POS	PART NUMBER
Sweden	1	4496446	43	4496476
	2	4496520	44	4496536
	3	4496450	45	2689095
	4	4496452	46	4496537
	5	4496522	47	4496518
	6	4496454	48	2689513
	7	4496524	49	2689537
	8	4496458	50	2689037
	9	2689531	51	2689427
	10	2689053	52	2689100
	11	2689470	53	4496538
	12	4496525	54	2689102
	13	2689056	55	2689104
	14	2689057	56	4496539
	15	2689472	57	4496482
	16	4496526	58	4496483
	17	2689474	59	4496484
	18	1642270	60	2689518
	19	2689476	61	4496485
	20	2689532	62	2689038
	21	2689492	63	1642273
	22	2689214	64	2689186
	23	2689216	65	4496540
	24	4496461	66	4496542
	25	4496462	67	4496544
	26	4496463	68	4496546
	27	4496527	69	4496548
	28	4496528	70	4496550
	29	4496529	71	4496551
	30	4496530	72	4496553
	31	2689218	73	4496555
	32	4496531	74	4496557
	33	2689080	75	4496558
	34	2689533	76	4496559
	35	4496532	77	4496560
	36	4496470	78	4496562
	37	2689223	79	4496564
	38	2689085	80	4496566
	39	2689086	81	4496568
	40	4496473	82	2689031
	41	4496533	83	2689031
	42	4496534	84	2689189

COUNTRY	POS	PART NUMBER	POS	PART NUMBER
Switzerland (French)	1	4496446	43	4496476
	2	4496738	44	4496755
	3	4496450	45	2689095
	4	4496452	46	4496756
	5	1642091	47	4496885
	6	4496454	48	2689592
	7	4496740	49	2689589
	8	4496458	50	2689037
	9	2689580	51	2689227
	10	2689581	52	2689516
	11	2689470	53	4496758
	12	4496883	54	2689102
	13	2689583	55	2689104
	14	2689057	56	4496708
	15	2689472	57	4496482
	16	4496884	58	4496483
	17	2689474	59	4496484
	18	1642111	60	2689518
	19	2689476	61	4496485
	20	2689539	62	2689038
	21	2689584	63	2689112
	22	2689214	64	2689186
	23	2689216	65	4496761
	24	4496461	66	4496763
	25	4496462	67	4496765
	26	4496746	68	4496767
	27	4496747	69	4496768
	28	4496748	70	4496770
	29	4496466	71	4496772
	30	4496749	72	4496774
	31	2689218	73	4496776
	32	4496750	74	4496778
	33	2689080	75	4496779
	34	2689590	76	4496780
	35	4496469	77	4496781
	36	4496470	78	4496783
	37	2689223	79	4496785
	38	4496471	80	4496787
	39	4496472	81	4496789
	40	4496752	82	2689031
	41	4496753	83	2689031
	42	4496754	84	2689189

COUNTRY	POS	PART NUMBER	POS	PART NUMBER
Switzerland (German)	1	4496446	43	4496476
	2	4496448	44	4496477
	3	4496450	45	2689095
	4	4496452	46	4496478
	5	1642103	47	4496479
	6	4496454	48	2689588
	7	4496456	49	2689589
	8	4496458	50	2689037
	9	2689580	51	2689227
	10	2689581	52	2689516
	11	2689470	53	4496480
	12	4496459	54	2689102
	13	2689583	55	2689104
	14	2689057	56	4496481
	15	2689472	57	4496482
	16	4496460	58	4496483
	17	2689474	59	4496484
	18	1642106	60	2689518
	19	2689476	61	4496485
	20	2689539	62	2689038
	21	2689584	63	2689112
	22	2689214	64	2689186
	23	2689216	65	4496486
	24	4496461	66	4496488
	25	4496462	67	4496490
	26	4496463	68	4496492
	27	4496464	69	4496494
	28	4496465	70	4496496
	29	4496466	71	4496498
	30	4496467	72	4496500
	31	2689218	73	4496502
	32	4496468	74	4496504
	33	2689080	75	4496505
	34	2689585	76	4496506
	35	4496469	77	4496507
	36	4496470	78	4496509
	37	2689223	79	4496511
	38	4496471	80	4496513
	39	4496472	81	4496515
	40	4496473	82	2689031
	41	4496474	83	2689031
	42	4496475	84	2689189

COUNTRY	POS	PART NUMBER	POS	PART NUMBER
U.K.	1	4496676	43	4496476
	2	4496678	44	4496704
	3	4496680	45	2689095
	4	4496682	46	4496705
	5	1642085	47	4496706
	6	4496684	48	2689480
	7	4496686	49	2689140
	8	4496688	50	2689141
	9	2689052	51	2689427
	10	2689053	52	2689100
	11	2689470	53	4496707
	12	4496689	54	2689102
	13	2689056	55	2689104
	14	2689057	56	4496708
	15	2689472	57	4496482
	16	4496690	58	4496483
	17	2689474	59	4496709
	18	1642106	60	2689109
	19	2689476	61	2689110
	20	4496691	62	2689111
	21	2689477	63	2689112
	22	4496692	64	2689136
	23	4496693	65	4496710
	24	4496461	66	4496712
	25	4496462	67	4496714
	26	4496694	68	4496716
	27	4496695	69	4496717
	28	4496696	70	4496719
	29	4496529	71	4496571
	30	4496697	72	4496721
	31	2689128	73	4496723
	32	4496698	74	4496725
	33	2689080	75	4496726
	34	2689478	76	4496727
	35	4496699	77	4496728
	36	4496700	78	4496730
	37	2689084	79	4496732
	38	2689085	80	4496734
	39	2689086	81	4496736
	40	4496701	82	2689031
	41	4496702	83	2689031
	42	4496703	84	2689189

COUNTRY	KEYBOARD ASM P/Ns
	Typewriter
USA - 82 KEY	7363830
USA - 84 KEY	7363831
CANADA (BILINGUAL)	7363837
CANADA (FRENCH)	7363838
DENMARK	7363846
FRANCE/BELGIUM (DUTCH)	7363836
FRANCE/BELGIUM (FRENCH)	7363939
GERMANY/AUSTRIA	7363834
ITALY	7363839
NETHERLANDS	7363840
NORWAY	7363845
SWEDEN	7363844
SWITZERLAND (FRENCH)	7363842
SWITZERLAND (GERMAN)	7363843
U.K.	7363847

THIS PAGE INTENTIONALLY LEFT BLANK.

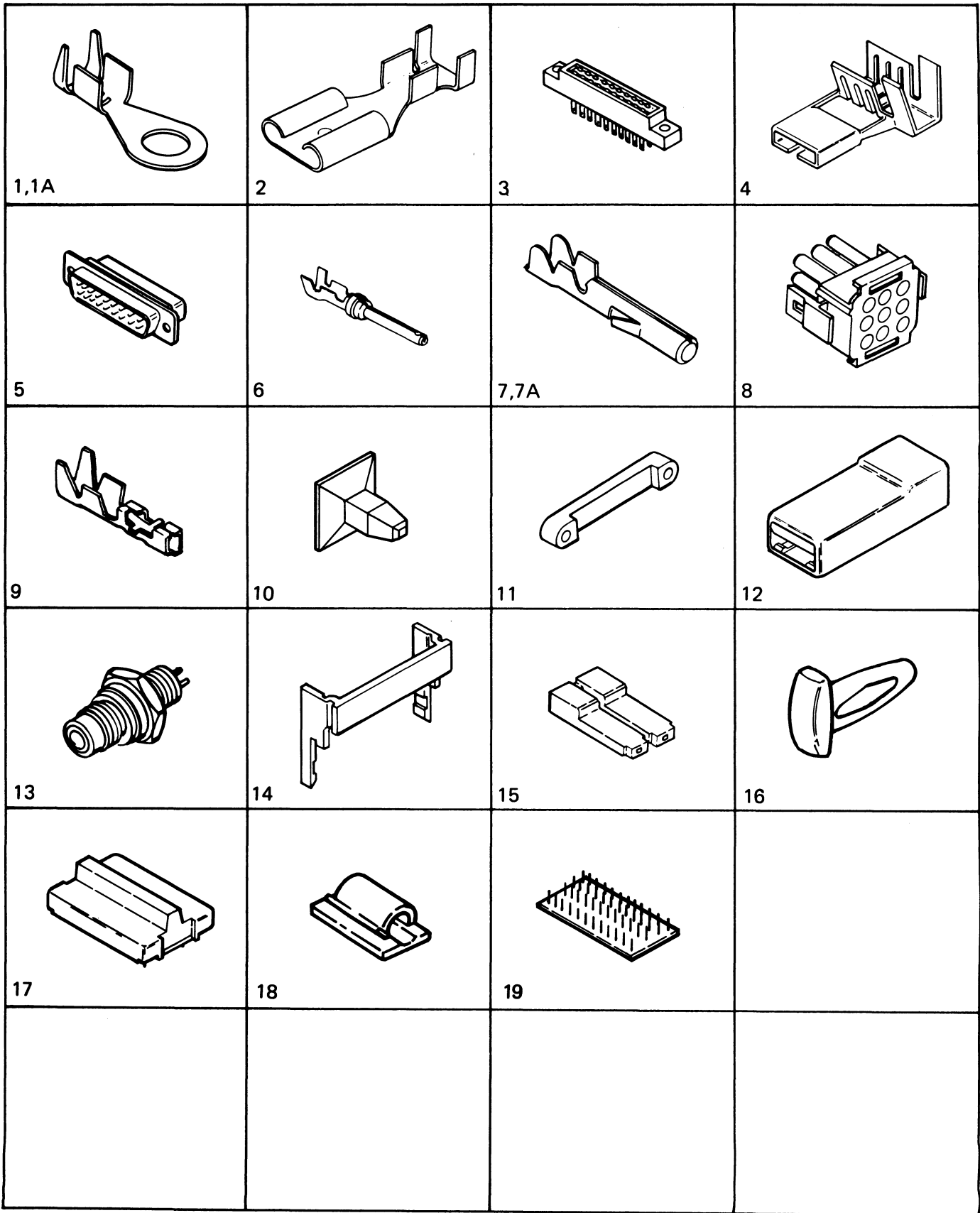


Figure 11. Cable Components

FIGURE- INDEX NUMBER	PART NUMBER	UNITS PER ASM.	DESCRIPTION FOR FIGURE 11			
			1	2	3	4
11	NO NO.		CABLE AND JUMPER ASSEMBLY COMPONENT PART FOR ILLUSTRATION SEE FIGURE 10			
	7396233 7363809 7362158		Cable Asm,Function Extension Feature Card To Planar Cable Asm,Keyboard To Display Disconnect Cable Asm,CE Diag Ind And Sw			
	7362169 7362180 7362181		Cable Asm,Display Disconnect To Planar Cable Asm,Twinax Conn To Planar And Cft Cable Asm,Twinax Conn To Cft Distribution			
	7362343 7362365 2767689		Cable Asm,Power/signal Cable Asm,AC Distribution Switch and Cable Asm			
- 1	483681		• Terminal,Ring No.8 Stud 18-20 Awg			
- 1 A	483682		• Terminal,Ring No.8 Stud 14-16 Awg			
- 2	1127037		• Terminal,Slip-on 14-18 Awg			
- 3	1608573		• Connector			
- 4	1608893		• Terminal,Slip-on 22-24 Awg			
- 5	1655338		• Connector,Plug 25 Pos			
- 6	1655339		• Pin Contact 20-24 Awg			
- 7	1661132		• Terminal,Dual Lance Socket 18-24 Awg			
- 7 A	1847521		• Terminal Pin			
- 8	1847532		• Plug,9 Circuit			
- 9	2637679		• Connector,Discrete 22-26 Awg			
- 10	2637689		• Housing			
- 11	8331423		• Strain Relief			
- 12	5761882		• Housing			
- 13	7364498		• Cable Receptacle,Female Twinax			
- 14	7362330		• Guide			
- 15	1794401		• Jumper			
- 16	2632773		• Canoe Clip			
- 17	2731026		• Cross-Connector W/O Test Pins			
- 18	7362002		• Clamp			
- 19	2731011		• Interposer			

THIS PAGE INTENTIONALLY LEFT BLANK.

NUMERICAL INDEX

PART NUMBER	LIST AND INDEX NO.	PART NUMBER	LIST AND INDEX NO.	PART NUMBER	LIST AND INDEX NO.	PART NUMBER	LIST AND INDEX NO.
1940	1 - 10	1622346	3 - 21	5318920	6 - 9	7362508	8 - 3
1940	2 - 8	1622346	6 - 11	5319909	6 - 3	7362545	2 - 6
1940	3 - 23	1622346	8 - 9	5552875	1 - 5	7362553	3 - 26
10170	3 - 14	1622346	8 - 18	5552875	1 - 11	7362553	3 - 29
22478	6 - 13	1622347	3 - 3	5552875	1 - 25	7362821	2 - 5
38235	3 - 19	1622347	3 - 25	5552875	3 - 9	7362939	1 - 13
45690	2 - 9	1622347	3 - 28	5554146	9 - 11	7363483	3 - 7
55901	2 - 10	1622403	6 - 15	5587967	10 - 12	7363805	5 - 13
78952	2 - 2	1622404	2 - 12	5761882	11 - 12	7363808	9 - 5
111264	2 - 2	1655338	11 - 5	5762407	3 - 15	7363809	9 - 7
179946	3 - 10	1655339	11 - 6	7362002	11 - 18	7363816	5 - 13
257189	2 - 12	1661132	11 - 7	7362008	5 - 2	7363817	5 - 13
303549	2 - 2	1748131	10 - 10	7362009	3 - 1	7363818	5 - 13
322550	3 - 12	1786825	10 - 4	7362020	8 - 26	7363819	5 - 13
323836	6 - 5	1786825	10 - 9	7362021	8 - 2	7363827	5 - 13
323836	6 - 8	1794401	11 - 15	7362105	8 - 1	7363828	5 - 13
472662	3 - 17	1847521	11 - 7A	7362141	8 - 5	7363870	9 - 9
483681	11 - 1	1847532	11 - 8	7362142	1 - 16	7363871	9 - 1
483682	11 - 1A	2100194	3 - 16	7362148	8 - 23	7363901	3 - 6
515661	1 - 19	2131784	7 - 7	7362158	5 - 7	7363902	3 - 6
533359	3 - 13	2181005	9 - 2	7362158	8 - 15	7363909	4 - 1
615683	3 - 11	2420051	6 - 17	7362169	8 - 13	7363916	5 - 13
615683	4 - 3	2420202	2 - 2	7362180	8 - 25	7363921	9 - 3
NO NO.	1 - 6	2461889	3 - 8	7362181	8 - 19	7363928	1 - 21
NO NO.	1 - 22	2632773	1 - 26	7362184	9 - 1	7363935	5 - 8
NO NO.	6 - 16	2632773	5 - 11	7362199	8 - 10	7363935	6 - 22
NO NO.	10 - 1	2632773	11 - 16	7362200	5 - 6	7363946	5 - 13
NO.NO.	1 - 28	2637679	11 - 9	7362248	5 - 4	7363993	1 - 2
1127037	11 - 2	2637689	11 - 10	7362253	3 - 5	7364498	11 - 13
1143492	3 - 11	2731007	1 - 23	7362263	5 - 1	7364967	1 - 15
1143492	3 - 11	2731011	1 - 20	7362299	1 - 3	7388871	10 - 6
1608277	1 - 8	2731011	11 - 19	7362322	1 - 12	7388872	10 - 6
1608277	5 - 12	2731026	1 - 27	7362324	8 - 14	7396233	1 - 7
1608427	5 - 9	2731026	11 - 17	7362328	8 - 21	8279268	5 - 5
1608571	5 - 10	2767289	5 - 3	7362330	11 - 14	8330736	6 - 19
1608571	8 - 24	2767336	3 - 4	7362338	8 - 22	8330738	1 - 18
1608573	11 - 3	2767391	1 - 17	7362338	9 - 4	8330740	6 - 7
1608893	11 - 4	2767400	1 - 1	7362344	8 - 16	8330741	2 - 14
1621174	7 - 2	2767401	1 - 14	7362346	2 - 15	8330754	1 - 4
1621190	2 - 7	2767558	2 - 3	7362347	7 - 4	8330757	1 - 24
1621191	9 - 12	2767689	7 - 5	7362348	7 - 6	8330854	2 - 2
1621193	6 - 12	4176642	4 - 4	7362351	8 - 6	8330860	6 - 2
1621197	2 - 11	4201819	4 - 2	7362352	8 - 20	8330861	6 - 4
1621210	3 - 2	4496246	9 - 6	7362357	2 - 4	8331423	11 - 11
1621215	3 - 27	4496247	9 - 6	7362363	6 - 23	8542462	9 - 6
1621811	1 - 9	4496248	9 - 6	7362368	3 - 24	8542463	9 - 6
1621811	3 - 20	4496249	9 - 6	7362374	2 - 1	8542595	9 - 6
1621811	3 - 22	4496250	9 - 6	7362385	6 - 18	8542596	9 - 6
1621811	6 - 1	4496251	9 - 6	7362385	6 - 21	8542629	10 - 5
1621811	6 - 6	4496252	9 - 6	7362406	6 - 20	8542633	10 - 3
1621811	8 - 4	4496254	9 - 6	7362432	8 - 11	8542634	10 - 7
1621811	8 - 8	4496255	9 - 6	7362434	6 - 14	8542636	10 - 8
1621811	8 - 17	4496256	9 - 6	7362471	8 - 7	8542637	10 - 13
1621813	6 - 10	4496257	9 - 6	7362475	2 - 1	8542659	10 - 11
1622302	7 - 1	5194146	10 - 10	7362500	8 - 12		
1622305	2 - 13	5194443	10 - 2	7362506	9 - 8		
1622344	7 - 3	5214551	3 - 18	7362507	9 - 10		



READER'S COMMENT FORM

Please use this form only to identify publication errors or request changes to publications. Technical questions about IBM systems, changes in IBM programming support, requests for additional publications, etc, should be directed to your IBM representative or to the IBM branch office nearest your location.

Error in publication (typographical, illustration, and so on). **No reply.**

Page Number Error

Inaccurate or misleading information in this publication. Please tell us about it by using this postage-paid form. We will correct or clarify the publication, or tell you why a change is not being made, provided you include your name and address.

Page Number Comment

IBM may use and distribute any of the information you supply in any way it believes appropriate without incurring any obligation whatever. You may, of course, continue to use the information you supply.

● No postage necessary if mailed in the U.S.A.

Name _____
Company or Organization _____
Address _____

Cut Along Line

Fold and tape

Please do not staple

Fold and tape



NO POSTAGE
NECESSARY IF
MAILED IN THE
UNITED STATES

BUSINESS REPLY MAIL
FIRST CLASS PERMIT NO. 40 ARMONK, N. Y.

POSTAGE WILL BE PAID BY . . .

International Business Machines Corporation
Development Laboratory
Information Development, Department 245
Rochester, Minnesota 55901



Fold and tape

Please do not staple

Fold and tape



READER'S COMMENT FORM

Please use this form only to identify publication errors or request changes to publications. Technical questions about IBM systems, changes in IBM programming support, requests for additional publications, etc, should be directed to your IBM representative or to the IBM branch office nearest your location.

Error in publication (typographical, illustration, and so on). No reply.

Page Number Error

Inaccurate or misleading information in this publication. Please tell us about it by using this postage-paid form. We will correct or clarify the publication, or tell you why a change is not being made, provided you include your name and address.

Page Number Comment

IBM may use and distribute any of the information you supply in any way it believes appropriate without incurring any obligation whatever. You may, of course, continue to use the information you supply.

● No postage necessary if mailed in the U.S.A.

Name _____
Company or Organization _____
Address _____

Cut Along Line

Fold and tape

Please do not staple

Fold and tape

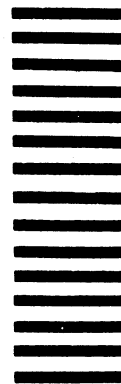


NO POSTAGE
NECESSARY IF
MAILED IN THE
UNITED STATES

BUSINESS REPLY MAIL
FIRST CLASS PERMIT NO. 40 ARMONK, N. Y.

POSTAGE WILL BE PAID BY . . .

International Business Machines Corporation
Development Laboratory
Information Development, Department 245
Rochester, Minnesota 55901

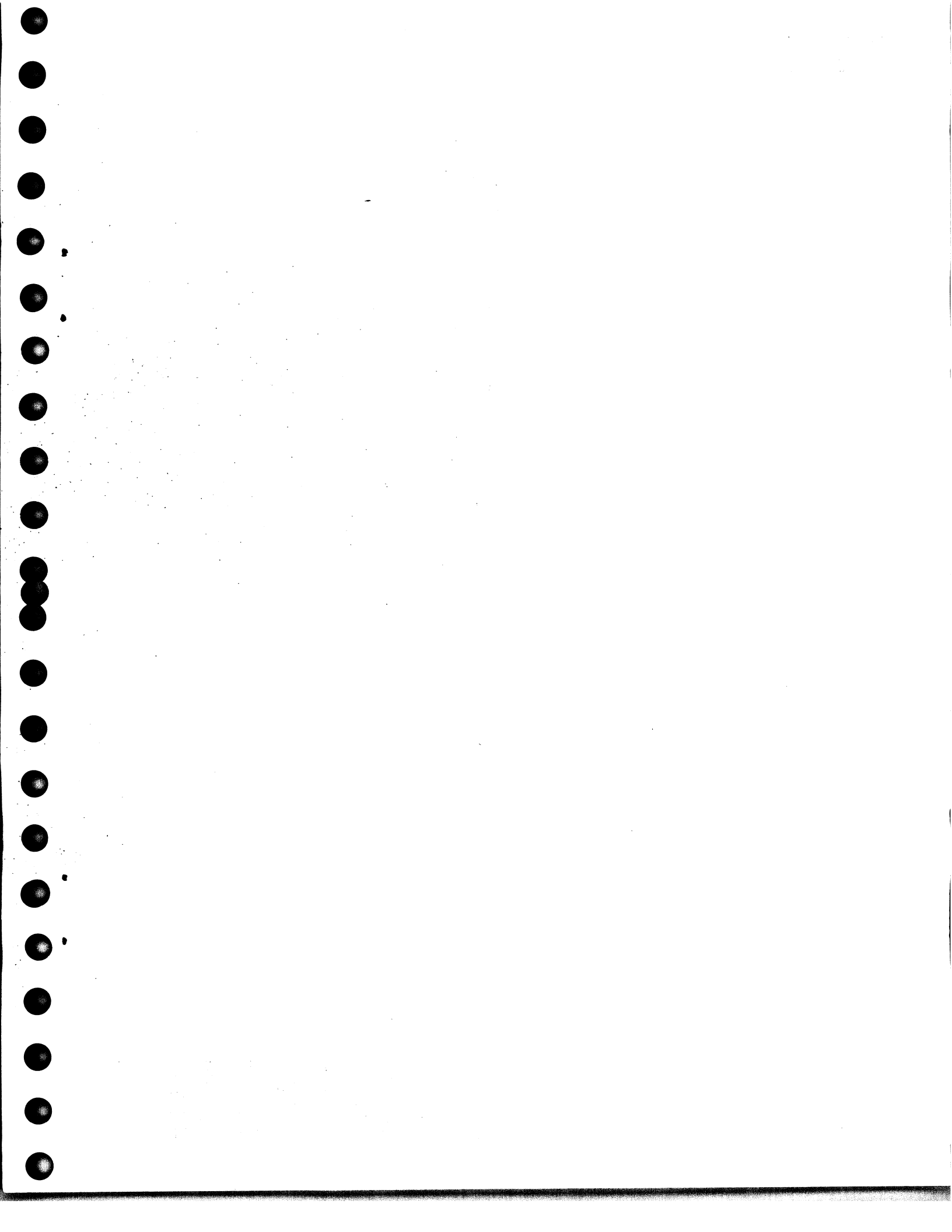


Fold and tape

Please do not staple

Fold and tape







5253 Display Station Parts Catalog

Printed in USA S131-0628-1

S131-0628-1



S131-0628-1