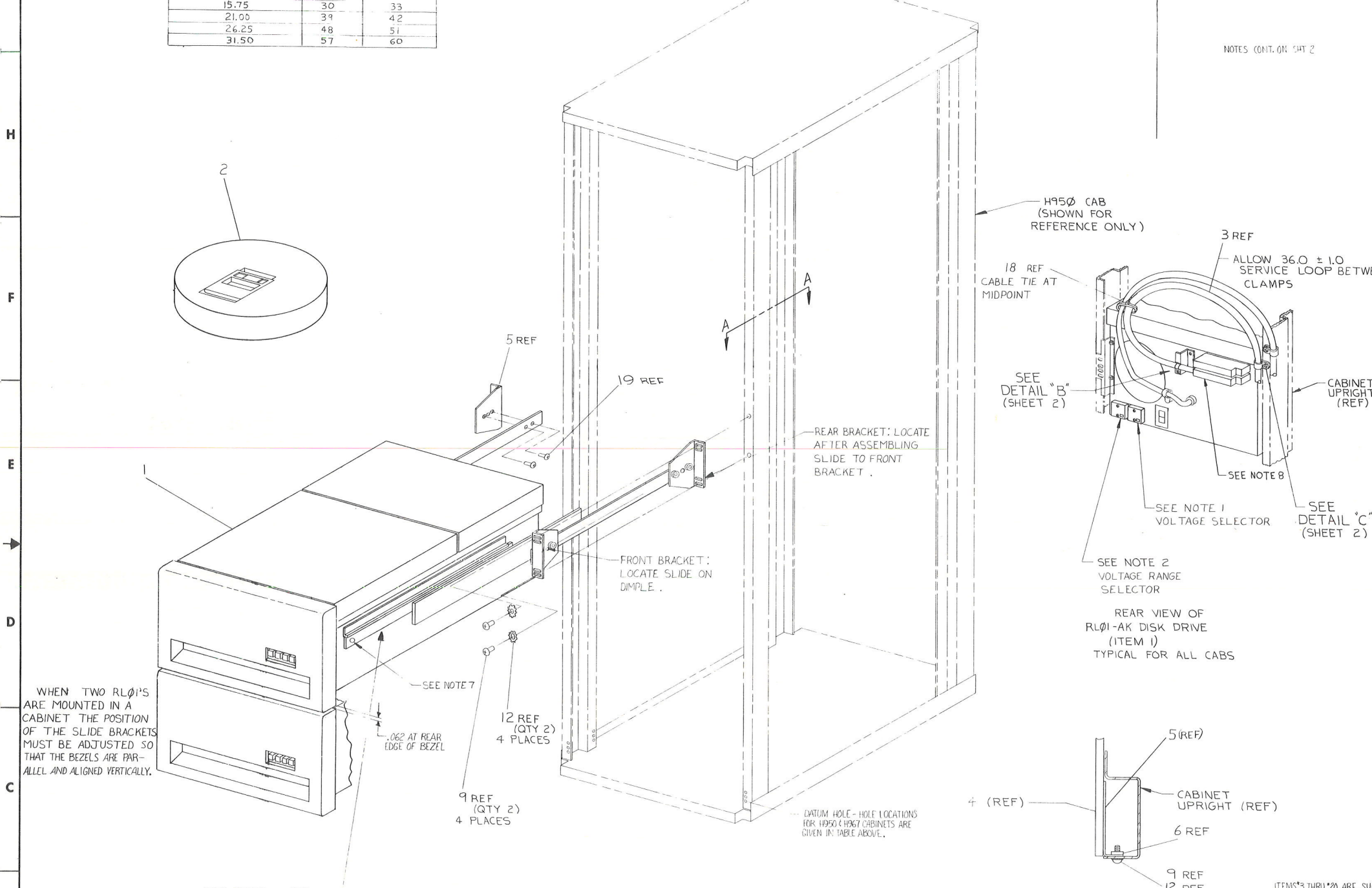


THIS DRAWING AND SPECIFICATIONS HEREIN ARE THE PROPERTY OF DIGITAL EQUIPMENT CORPORATION AND SHALL NOT BE REPRODUCED OR COPIED OR USED IN WHOLE OR IN PART AS THE BASIS FOR THE MANUFACTURE OR SALE OF ITEMS WITHOUT WRITTEN PERMISSION.
 DIGITAL EQUIPMENT CORPORATION
 COPYRIGHT © 1977

HOLE LOCATIONS FOR MOUNTING IN H950 AND H967 CABINETS

AVAILABLE SPACE BENEATH RLØ1	MOUNTING HOLES (FROM DATUM HOLE)	
	LOWER	UPPER
5.25	12	15
10.50	21	24
15.75	30	33
21.00	39	42
26.25	48	51
31.50	57	60

J
H
F
E
D
C
B
A



WHEN TWO RLØ1'S ARE MOUNTED IN A CABINET THE POSITION OF THE SLIDE BRACKETS MUST BE ADJUSTED SO THAT THE BEZELS ARE PARALLEL AND ALIGNED VERTICALLY.

SEE DETAIL "F" (SHEET 4)

RLØ1-AK (SHOWN IN AN H95Ø CAB)

DATUM HOLE - HOLE LOCATIONS FOR H950 & H967 CABINETS ARE GIVEN IN TABLE ABOVE.

7. CONT. TO REMOVE DRIVE, EXTEND SLIDES FULLY, REMOVE SCREWS, RELEASE LATCHES AND LIFT OFF.
 8. FOR LAST DRIVE IN A SYSTEM I/O CABLE PLUGS INTO EITHER SOCKET. TERMINATOR (SUPPLIED WITH CONTROLLER) PLUGS INTO THE OTHER.

NOTES (CONT. ON SHT 2)

NOTES:
 1. MACHINES ARE SHIPPED CONFIGURED FOR 110 V AND NOMINAL VOLTAGE RANGE. FOR 220 V OPERATION REMOVE TWO SCREWS FROM "VOLTAGE SELECTOR" COVER, WITHDRAW THE COVER, AND RE-INSERT TURNED UPSIDE DOWN. AFTER RE-INSERTION, 220 MUST BE SHOWING THRU THE SMALL WINDOW. REPLACE THE TWO SCREWS, CUT OFF 110V PLUG ON THE POWER CORD, REPLACE BY 220V PLUG (ITEM 20), FOR COLOR CODE SEE DETAIL "G", SHEET 4.

2. "LOW LINE" AND "NOMINAL LINE" ARE DEFINED ON COVER OF "VOLTAGE RANGE SELECTOR" FOR LOW LINE VOLTAGE OPERATION. REMOVE TWO SCREWS FROM "VOLTAGE RANGE SELECTOR" COVER, WITHDRAW THE COVER AND RE-INSERT IT TURNED UPSIDE DOWN. AFTER INSERTION, "LOW" MUST BE SHOWING THRU THE SMALL WINDOW. REPLACE THE TWO SCREWS.

3. WHEN AN RLØ1-AK IS ORDERED IN CONJUNCTION WITH H9500, H9501, H9502, H9503, H9600, H9601, H9602, H9603 INTERLOCK KIT(S) (REF 21) MUST BE ORDERED AND INSTALLED.

4. WHEN AN RLØ1-AK IS ORDERED IN CONJUNCTION WITH A H9503/H9603 THE TRIM PIECES (H9514-B) MUST BE ORDERED.

5. WHEN AN RLØ1-AK IS ORDERED IN CONJUNCTION WITH A H9501/H9601 TRIM PIECES (H9514-A) MUST BE ORDERED.

6. TO ATTACH SHIPPING BRACKET (ITEM 7) REMOVE TWO SCREWS AND TWO LOCKWASHERS FROM ONE SIDE OF THE POWER PANEL ON THE REAR OF DISK DRIVE (ITEM 1), POSITION A SHIPPING BRACKET TO DETERMINE LOCATION OF "U" NUT (ITEM 13) AND ATTACH BRACKET USING ORIGINAL SCREWS AND LOCKWASHERS AND ITEMS 12 AND 9 (AS SHOWN IN DETAIL "D"). NEXT REMOVE THE SCREWS AND ATTACH THE BRACKET ON THE OTHER SIDE.

7. TO MOUNT RLØ1 IN CABINET:
 A. MOUNT BRACKETS AND SLIDES TO UPRIGHTS.
 B. EXTEND SLIDES AS FAR AS POSSIBLE BY RELEASING CATCHES. (SEE DETAIL "F" SHT 4)
 C. PLACE DRIVE ON SLIDES AND PUSH BACK UNTIL ENDS OF RAILS FIT UNDER TABS ON SLIDES AND LATCHES ENGAGE.
 D. SECURE DRIVE TO SLIDES USING SCREWS SUPPLIED. (SEE DETAIL "F" SHT 4)

REF	DESCRIPTION	DWG. PART NO.	ITEM NO.
REF	INTERLOCK KIT(S)	A-PL-H9504-2-0	21
REF	PLUG 220 V POWER	9008853-00	20
REF	SCREW SMOOTH TORX HD# 8-32 X .50	9006039-04	19
REF	TIE, CABLE	9007031-00	18
REF	WASHER FLAT #10	9006668-00	17
REF	WASHER FLAT #6	9006653-00	16
REF	CLAMP CABLE .75 NOM	9007089-00	15
REF	CLAMP CABLE .375 NOM	9007083-00	14
REF	NUT, U SHAPED RETAINING 10-32	9007786-00	13
REF	WASHER LOCK EXT. TOOTH #10	9007651-00	12
REF	WASHER LOCK EXT. TOOTH #6	9007649-00	11
REF	SCREW PHL PAN HD# 6-32 X .31	9006021-01	10
REF	SCREW PHL PAN HD# 10-32 X .50	9006073-01	9
REF	BRACKET CABLE SUPPORT	C-IA-7419857-0-0	8
REF	BRACKET SHIPPING RLØ1	C-MD-7419856-0-0	7
REF	BAR NUT	C-MD-7419262-0-0	6
REF	BRACKET CHASSIS SLIDE	D-MD-7419261-0-0	5
REF	CHASSIS/SLIDE	APS-1213696-00	4
REF	I/O CABLE ASSY (10 FEET)	E-IA-702122-10	3
I	RLØ1 DATA CARTRIDGE	A-PL-RLØ1K-DC-Ø	2
J	DISK DRIVE AND MTG HARDWARE	A-PL-RLØ1-A-Ø	1

SEE NOTE 10 *

SECTION A-A (SHOWING TYPICAL MOUNTING OF CHASSIS SLIDES TO CABINET UPRIGHTS) SCALE: NONE

UNLESS OTHERWISE SPECIFIED DIMENSIONS ARE IN INCHES

CLASS OF ACCURACY (CHECK ONE)	NOMINAL DIMENSION RANGE INCHES											
	OVER 18	12 TO 18	6 TO 12	3 TO 6	1.5 TO 3	.5 TO 1.5	.125 TO .5	.063 TO .125	.031 TO .063	.016 TO .031	.008 TO .016	.004 TO .008
ANGLES 90° ±30°												
SURFACE QUALITY IN												
QUANTITY & VARIATION												

THIRD ANGLE PROJECTION
 DRN: [Signature] 10/11/77
 CHK'D: [Signature] 10/11/77
 ENG: [Signature] 10/11/77
 PROL. ENG. S. [Signature] 10/11/77
 PROD. [Signature] 10/11/77

TITLE: DISK DRIVE MTG. KIT & CARTRIDGE

MATERIAL: B-DD-RLØ1-AK
 SCALE: NONE
 FINISH: [Symbol]

SIZE CODE: E
 NUMBER: UA
 DIST.: RLØ1-AK-Ø

REV. B
 SHEET 1 OF 4

REV.	CHANGE NO.	BY	DATE
A		K. GUENZEL	10/11/77
B		M. MAJOR	10/11/77

THIS DRAWING AND SPECIFICATIONS HEREIN ARE THE PROPERTY OF DIGITAL EQUIPMENT CORPORATION AND SHALL NOT BE REPRODUCED OR COPIED OR MADE OR IN PART AS THE BASIS FOR THE MANUFACTURE OR SALE OF ITEMS WITHOUT WRITTEN PERMISSION. COPYRIGHT © 1977, DIGITAL EQUIPMENT CORPORATION

NOTES: (CONT.)

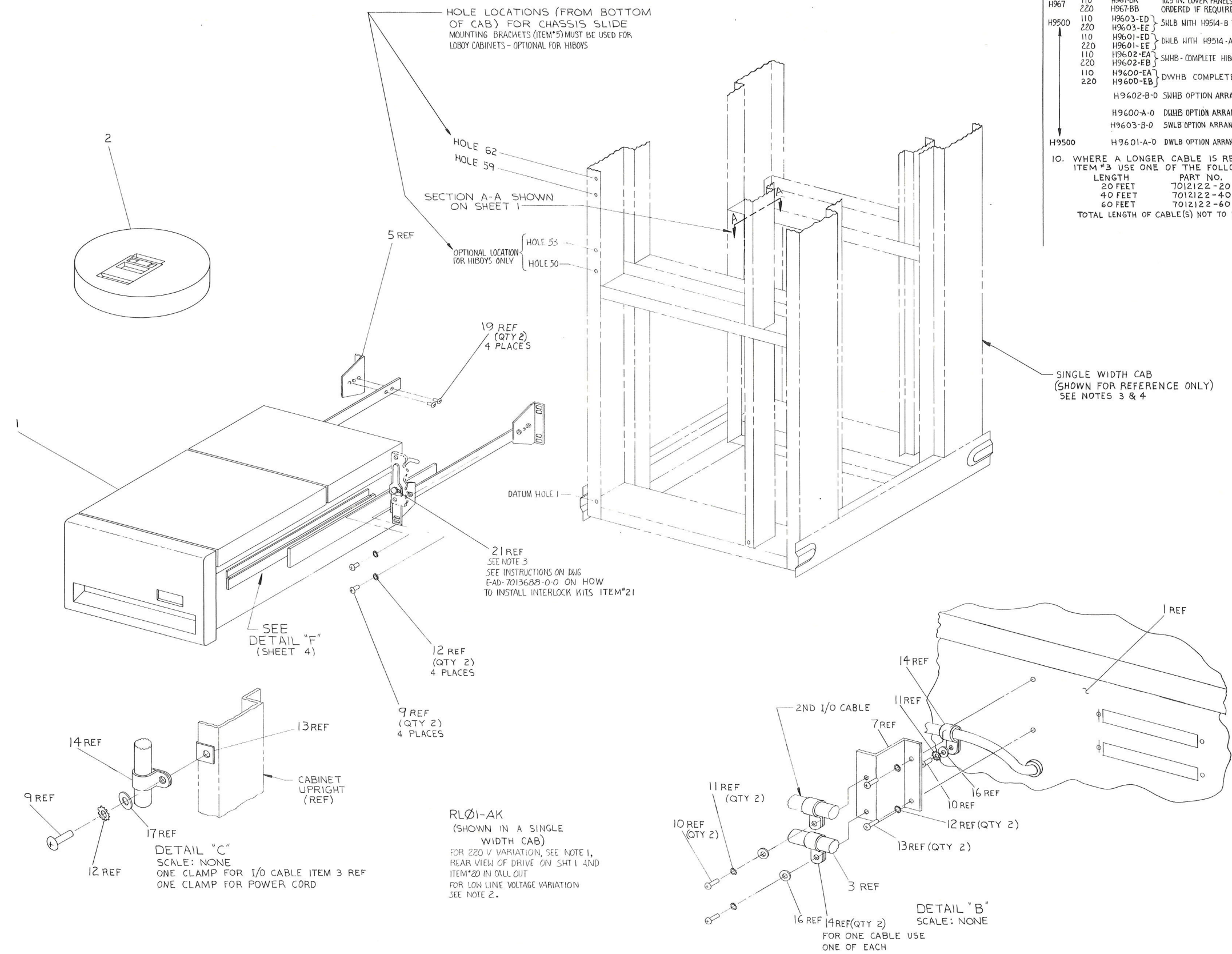
9. CABINET OPTIONS INCLUDE SKINS, DOORS, COVERS, TRIM & PAIR CONTROLLERS.

TYPE	VOLTAGE	DWG	REMARKS
H950	110	H960-BC	INCLUDES FIVE 10.5 IN. PANELS
	220	H960-BD	
H967	110	H967-BA	10.5 IN. COVER PANELS (H950-QA) MUST BE ORDERED IF REQUIRED.
	220	H967-BB	
H9500	110	H9603-ED	SHLB WITH H9514-B TOP COVERS.
	220	H9603-EE	
	110	H9601-ED	DHLB WITH H9514-A TOP COVERS.
	220	H9601-EE	
	110	H9602-EA	SHHB - COMPLETE HIROY CABINET.
	220	H9602-EB	
	110	H9600-EA	DWHB COMPLETE HIROY CABINET
	220	H9600-EB	
		H9602-B-0	SHHB OPTION ARRANGEMENT DWG. ORDER AS REQ'D
		H9600-A-0	DHLB OPTION ARRANGEMENT DWG. ORDER AS REQ'D
		H9603-B-0	SHLB OPTION ARRANGEMENT DWG. ORDER AS REQ'D
H9500		H9601-A-0	DWLB OPTION ARRANGEMENT DWG. ORDER AS REQ'D

10. WHERE A LONGER CABLE IS REQUIRED THAN ITEM #3 USE ONE OF THE FOLLOWING:

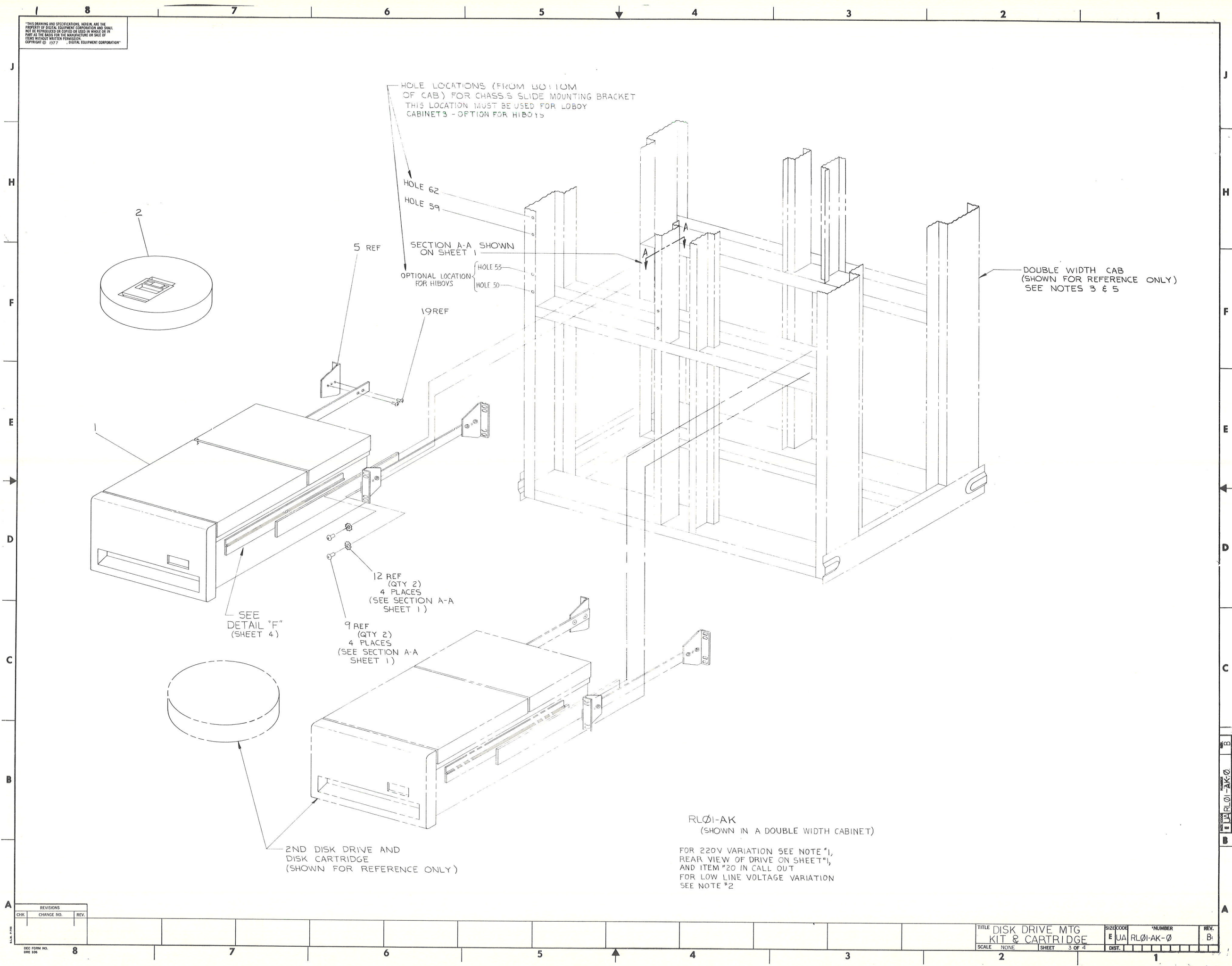
LENGTH	PART NO.
20 FEET	7012122-20
40 FEET	7012122-40
60 FEET	7012122-60

TOTAL LENGTH OF CABLE(S) NOT TO EXCEED 100 FEET



REVISIONS		
CHK	CHANGE NO.	REV.

THIS DRAWING AND SPECIFICATIONS, HEREIN, ARE THE PROPERTY OF DIGITAL EQUIPMENT CORPORATION AND SHALL NOT BE REPRODUCED OR COPIED OR USED IN WHOLE OR IN PART AS THE BASIS FOR THE MANUFACTURE OR SALE OF ITEMS WITHOUT WRITTEN PERMISSION.
 COPYRIGHT © 1977, "DIGITAL EQUIPMENT CORPORATION"

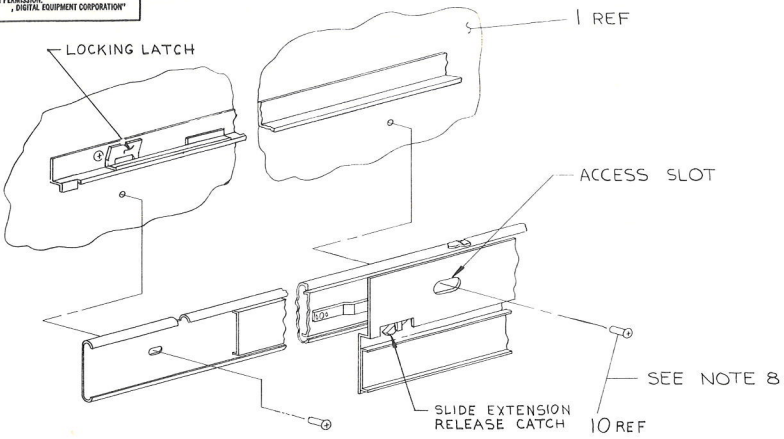


RL01-AK
 (SHOWN IN A DOUBLE WIDTH CABINET)

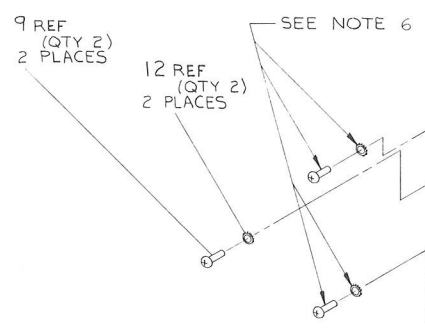
FOR 220V VARIATION SEE NOTE #1, REAR VIEW OF DRIVE ON SHEET #1, AND ITEM #20 IN CALL OUT
 FOR LOW LINE VOLTAGE VARIATION SEE NOTE #2

REVISIONS		
CHK	CHANGE NO.	REV.

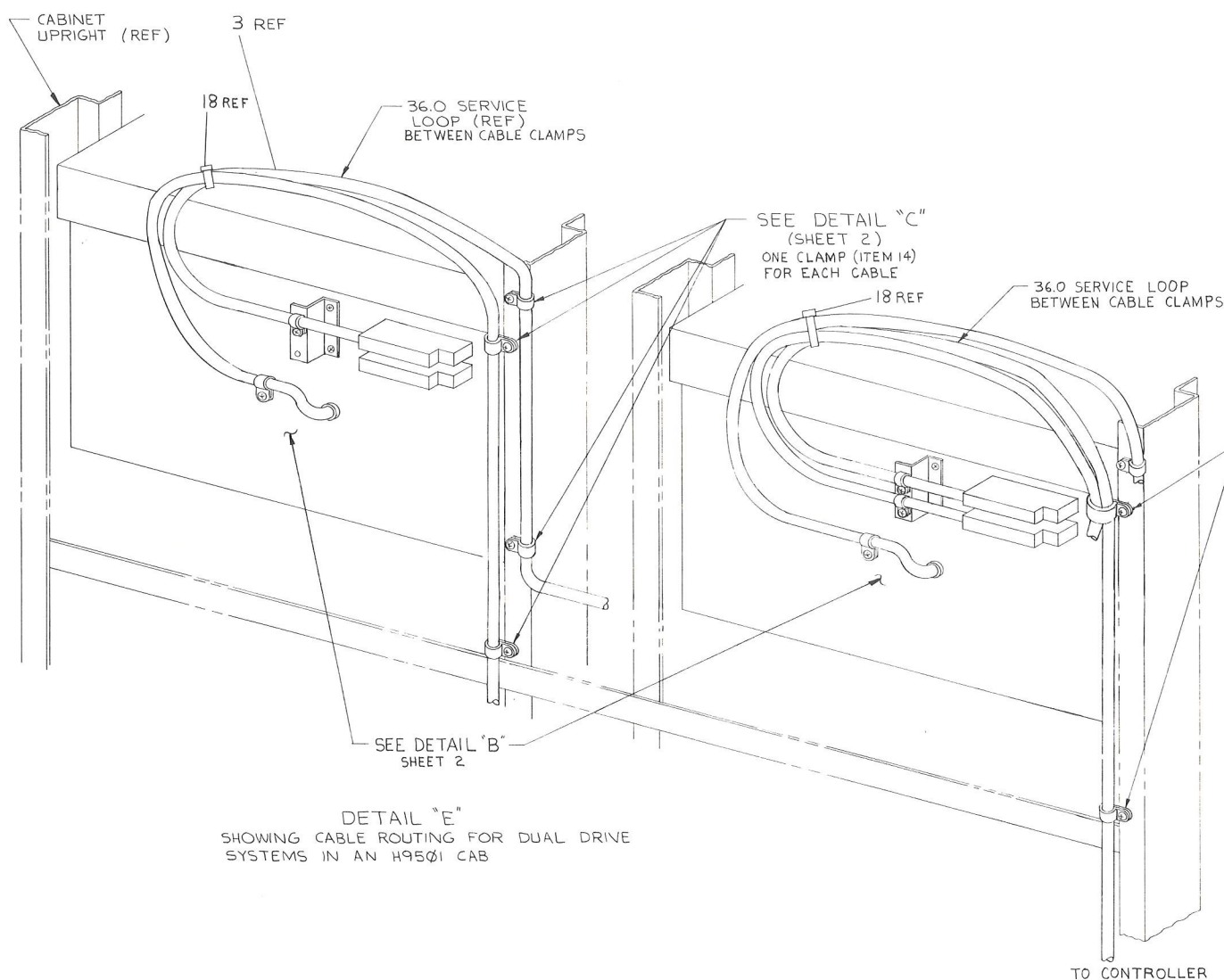
THIS DRAWING AND SPECIFICATIONS, HEREIN, ARE THE PROPERTY OF DIGITAL EQUIPMENT CORPORATION AND SHALL NOT BE REPRODUCED OR COPIED OR USED IN WHOLE OR IN PART AS THE BASIS FOR THE MANUFACTURE OR SALE OF ITEMS WITHOUT WRITTEN PERMISSION.
 COPYRIGHT © 1977, DIGITAL EQUIPMENT CORPORATION



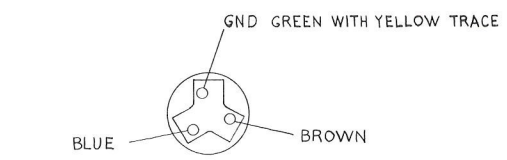
DETAIL "F"
 SEE NOTE 7



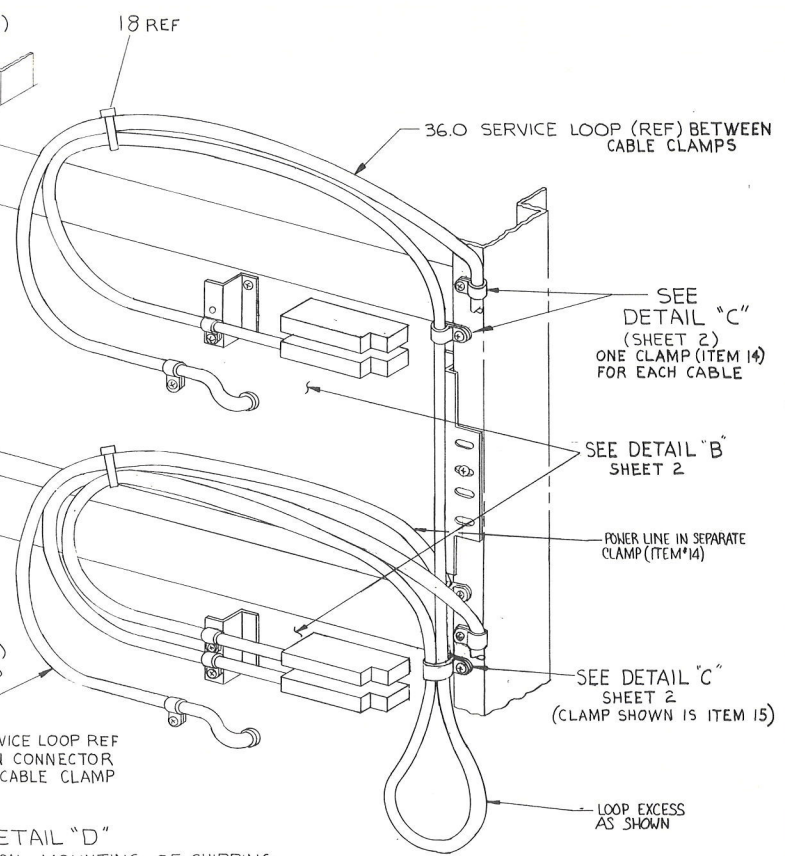
DETAIL "D"
 SHOWING TYPICAL MOUNTING OF SHIPPING BRKT (ITEM 7) AND CABLE ROUTING FOR DUAL DRIVE SYSTEMS IN AN H950 CAB



DETAIL "E"
 SHOWING CABLE ROUTING FOR DUAL DRIVE SYSTEMS IN AN H9501 CAB



DETAIL "G"
 REAR VIEW OF ITEM 20 WITH STRAIN RELIEF REMOVED



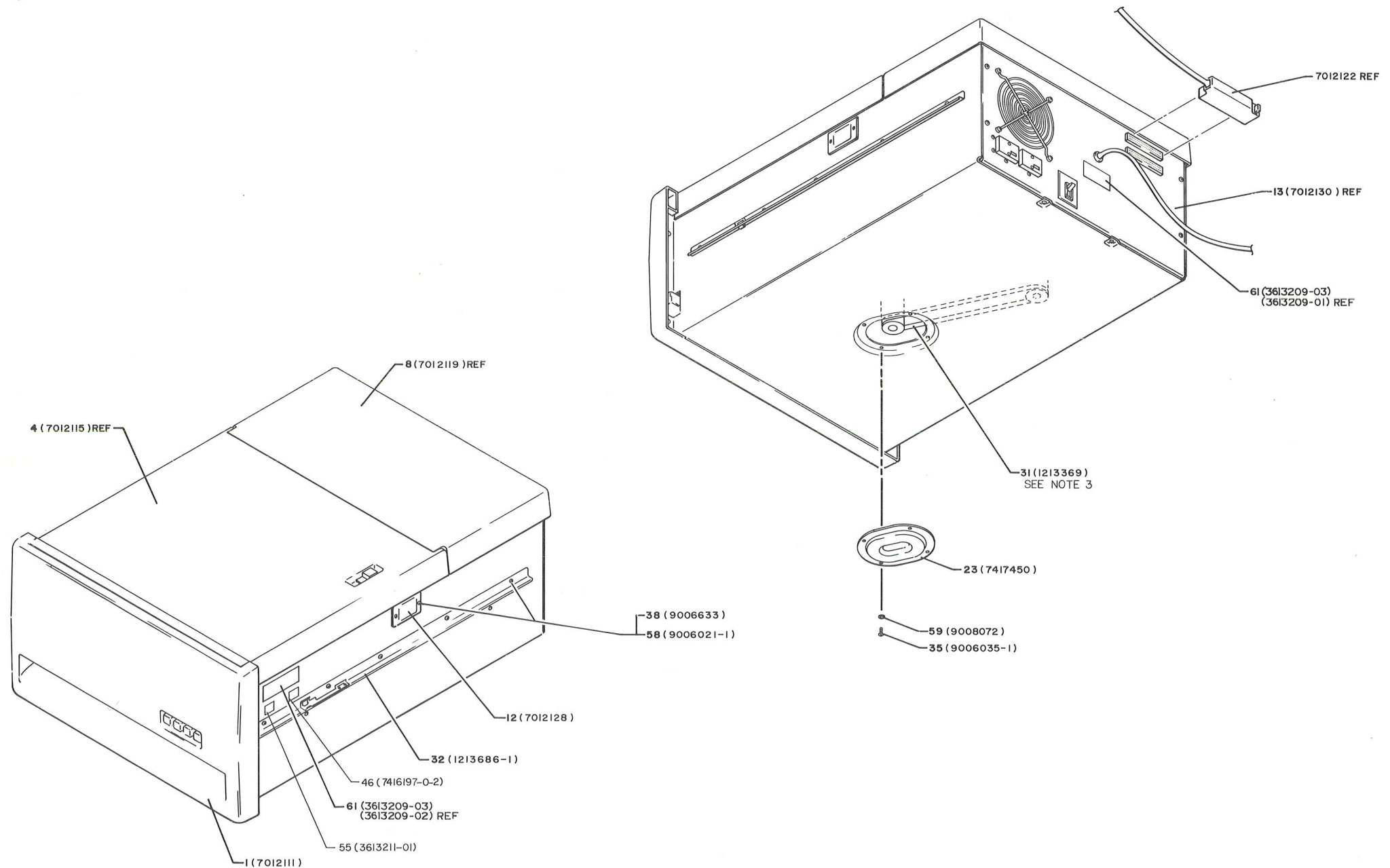
REVISIONS		
CHK	CHANGE NO.	REV.

DEC FORM NO. DRE 106

TITLE DISK DRIVE MTG KIT & CARTRIDGE		SIZE CODE E U A	NUMBER RL01-AK-0	REV. B
SCALE NONE	SHEET 4 OF 4	DIST.		

THIS DRAWING AND SPECIFICATIONS HEREIN ARE THE PROPERTY OF DIGITAL EQUIPMENT CORPORATION AND SHALL NOT BE REPRODUCED OR COPIED OR USED IN WHOLE OR IN PART AS THE BASIS FOR THE MANUFACTURE OR SALE OF ITEMS WITHOUT WRITTEN PERMISSION.
 COPYRIGHT © 1971, DIGITAL EQUIPMENT CORPORATION

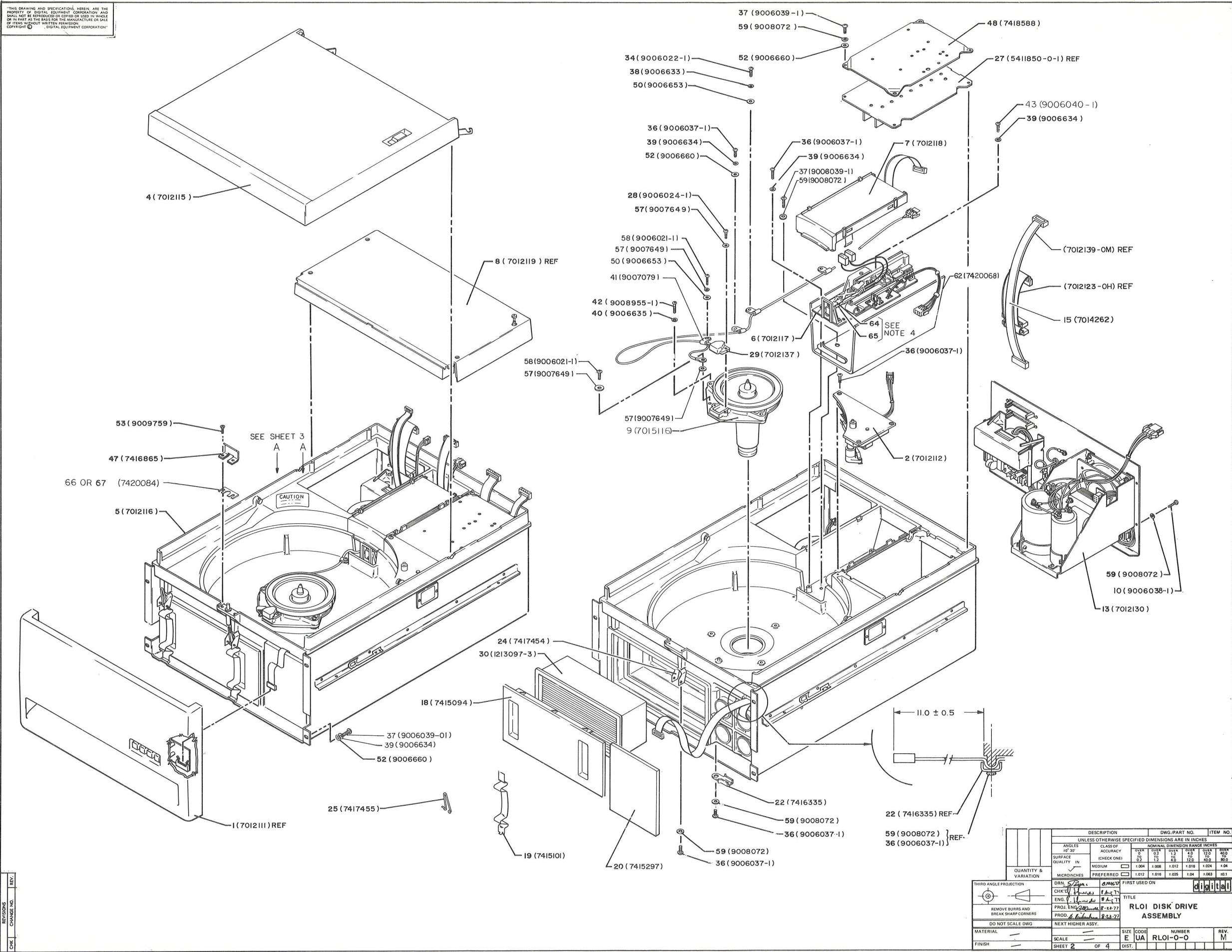
- NOTES:
1. LOWER HEAD (ITEM 65) SHALL BE POSITIONED REARWARDS AGAINST PIN IN CARRIAGE
 2. ALL SCREWS TO BE TIGHTENED AS FOLLOWS:
 4-40 SCREW, TORQUE 3.5 ± 0.5 IN LBS
 6-32 " " 6.0 ± 1.0 "
 8-32 " " 10.0 ± 1.0 "
 10-32 " " 18.0 ± 2.0 "
 3. DRIVE BELT TENSION 10.0 ± 1.0 LBS
 4. 4-40 HEAD MTG BOLTS TO BE TIGHTENED TO 5.0 ± 0.5 IN LBS.



REV.	CHANGE NO.	DESCRIPTION
A	1	RELEASED AT REV. A
B	2	RLOI-0001 G. SCHNEIDER
C	3	RLOI-0009 G. SCHNEIDER
D	4	RLOI-0010 G. SCHNEIDER
E	5	RLOI-0002 G. SCHNEIDER
F	6	RLOI-0012 BERT MILLER
H	8	RLOI-02014 BERT MILLER
J	10	RLOI-02020 K. GUENZEL
K	11	RLOI-02021 B. MILLER
L	12	RLOI-02022 K. GUENZEL
M	13	RLOI-02025 K. GUENZEL

THIRD ANGLE PROJECTION		DESCRIPTION		DWG. PART NO.	ITEM NO.
DRN.	5-8-77	UNLESS OTHERWISE SPECIFIED DIMENSIONS ARE IN INCHES			
CHK'D.	5-11-77	ANGLES	CLASS OF	NORMAL DIMENSION RANGE INCHES	
ENG.	5-11-77	10° 30'	ACCURACY	0.125	0.250
PROJ. ENG.	5-11-77	15	(CHECK ONE)	0.375	0.750
PROD. ENG.	5-11-77	20		1.125	2.250
DO NOT SCALE DWG.		25		3.750	7.500
		30		12.000	24.000
		35		40.000	80.000
		40		120.000	240.000
		45		400.000	800.000
		50		1200.000	2400.000
		55		4000.000	8000.000
		60		12000.000	24000.000
		65		40000.000	80000.000
		70		120000.000	240000.000
		75		400000.000	800000.000
		80		1200000.000	2400000.000
		85		4000000.000	8000000.000
		90		12000000.000	24000000.000
		95		40000000.000	80000000.000
		100		120000000.000	240000000.000
		105		400000000.000	800000000.000
		110		1200000000.000	2400000000.000
		115		4000000000.000	8000000000.000
		120		12000000000.000	24000000000.000
		125		40000000000.000	80000000000.000
		130		120000000000.000	240000000000.000
		135		400000000000.000	800000000000.000
		140		1200000000000.000	2400000000000.000
		145		4000000000000.000	8000000000000.000
		150		12000000000000.000	24000000000000.000
		155		40000000000000.000	80000000000000.000
		160		120000000000000.000	240000000000000.000
		165		400000000000000.000	800000000000000.000
		170		1200000000000000.000	2400000000000000.000
		175		4000000000000000.000	8000000000000000.000
		180		12000000000000000.000	24000000000000000.000
		185		40000000000000000.000	80000000000000000.000
		190		120000000000000000.000	240000000000000000.000
		195		400000000000000000.000	800000000000000000.000
		200		1200000000000000000.000	2400000000000000000.000
		205		4000000000000000000.000	8000000000000000000.000
		210		12000000000000000000.000	24000000000000000000.000
		215		40000000000000000000.000	80000000000000000000.000
		220		120000000000000000000.000	240000000000000000000.000
		225		400000000000000000000.000	800000000000000000000.000
		230		1200000000000000000000.000	2400000000000000000000.000
		235		4000000000000000000000.000	8000000000000000000000.000
		240		12000000000000000000000.000	24000000000000000000000.000
		245		40000000000000000000000.000	80000000000000000000000.000
		250		120000000000000000000000.000	240000000000000000000000.000
		255		400000000000000000000000.000	800000000000000000000000.000
		260		1200000000000000000000000.000	2400000000000000000000000.000
		265		4000000000000000000000000.000	8000000000000000000000000.000
		270		12000000000000000000000000.000	24000000000000000000000000.000
		275		40000000000000000000000000.000	80000000000000000000000000.000
		280		120000000000000000000000000.000	240000000000000000000000000.000
		285		400000000000000000000000000.000	800000000000000000000000000.000
		290		1200000000000000000000000000.000	2400000000000000000000000000.000
		295		4000000000000000000000000000.000	8000000000000000000000000000.000
		300		12000000000000000000000000000.000	24000000000000000000000000000.000
		305		40000000000000000000000000000.000	80000000000000000000000000000.000
		310		120000000000000000000000000000.000	240000000000000000000000000000.000
		315		400000000000000000000000000000.000	800000000000000000000000000000.000
		320		1200000000000000000000000000000.000	2400000000000000000000000000000.000
		325		4000000000000000000000000000000.000	8000000000000000000000000000000.000
		330		12000000000000000000000000000000.000	24000000000000000000000000000000.000
		335		40000000000000000000000000000000.000	80000000000000000000000000000000.000
		340		120000000000000000000000000000000.000	240000000000000000000000000000000.000
		345		400000000000000000000000000000000.000	800000000000000000000000000000000.000
		350		1200000000000000000000000000000000.000	2400000000000000000000000000000000.000
		355		4000000000000000000000000000000000.000	8000000000000000000000000000000000.000
		360		12000000000000000000000000000000000.000	24000000000000000000000000000000000.000
		365		40000000000000000000000000000000000.000	80000000000000000000000000000000000.000
		370		120000000000000000000000000000000000.000	240000000000000000000000000000000000.000
		375		400000000000000000000000000000000000.000	800000000000000000000000000000000000.000
		380		1200000000000000000000000000000000000.000	2400000000000000000000000000000000000.000
		385		4000000000000000000000000000000000000.000	8000000000000000000000000000000000000.000
		390		12000000000000000000000000000000000000.000	24000000000000000000000000000000000000.000
		395		40000000000000000000000000000000000000.000	80000000000000000000000000000000000000.000
		400		120000000000000000000000000000000000000.000	240000000000000000000000000000000000000.000
		405		400000000000000000000000000000000000000.000	800000000000000000000000000000000000000.000
		410		1200000000000000000000000000000000000000.000	2400000000000000000000000000000000000000.000
		415		4000000000000000000000000000000000000000.000	8000000000000000000000000000000000000000.000
		420		12000000000000000000000000000000000000000.000	24000000000000000000000000000000000000000.000
		425		400.000	800.000
		430		1200.000	2400.000
		435		4000.000	8000.000
		440		12000.000	24000.000
		445		400.000	800.000
		450		1200.000	2400.000
		455		4000.000	8000.000
		460		12000.000	24000.000
		465		400.000	800.000
		470		1200.000	2400.000
		475		4000.000	8000.000
		480		12000.000	24000.000
		485		400.000	800.000
		490		1200.000	2400.000
		495		4000.000	8000.000
		500		12000.000	24000.000
		505		400.000	800.000
		510		1200.000	2400.000
		515		4000.000	8000.000
		520		12000.000	24000.000
		525		400.000	800.000
		530		1200.000	2400.000
		535		4000.000	8000.000
		540		12000.000	24000.000</

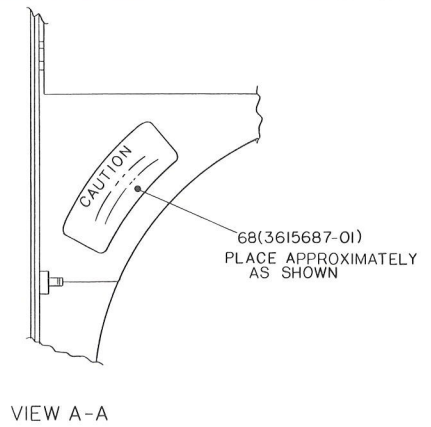
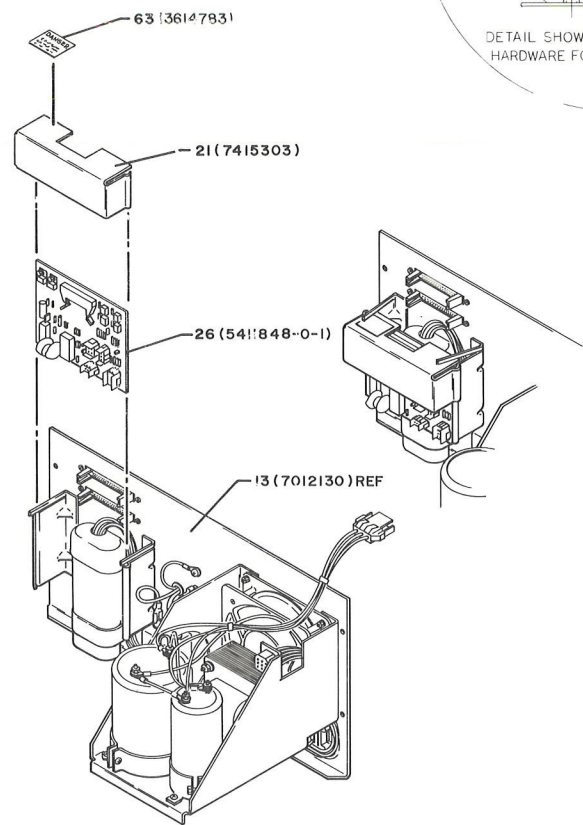
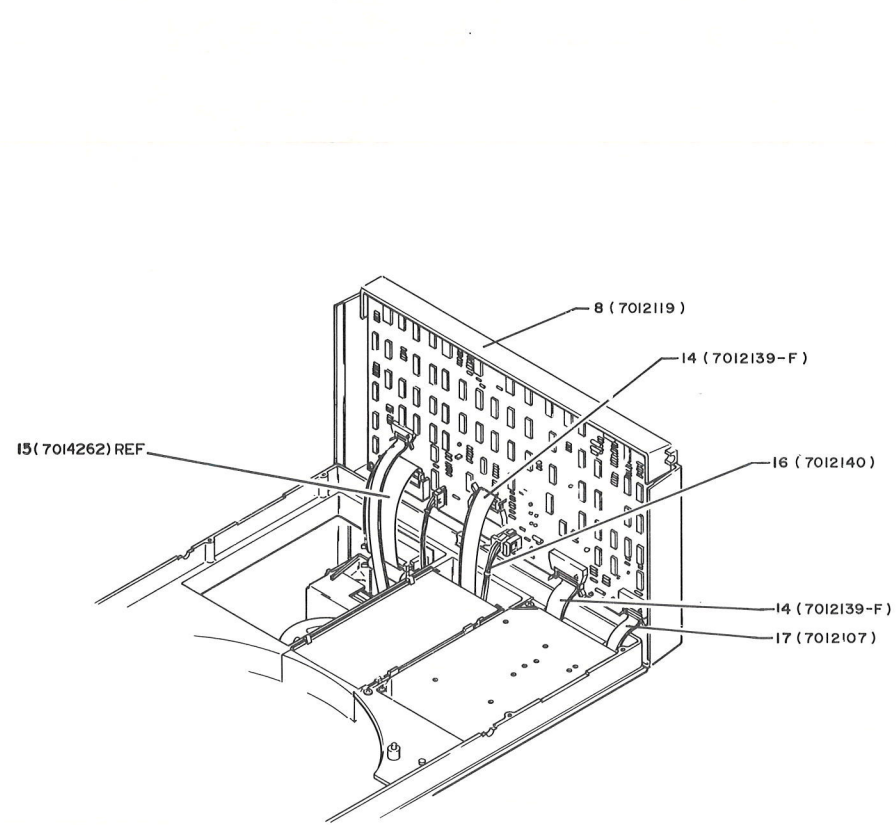
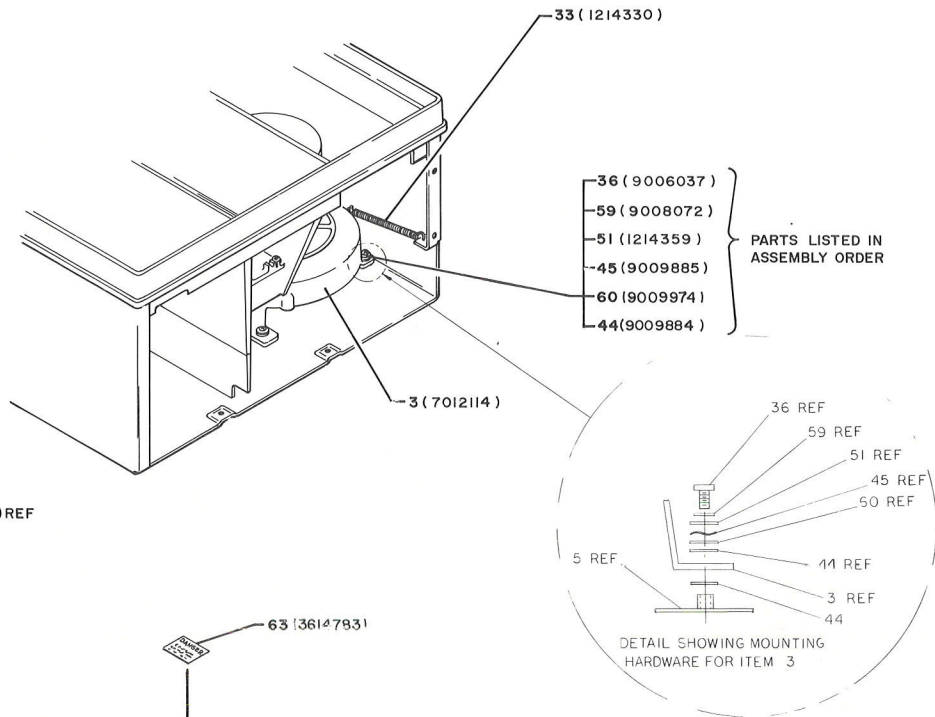
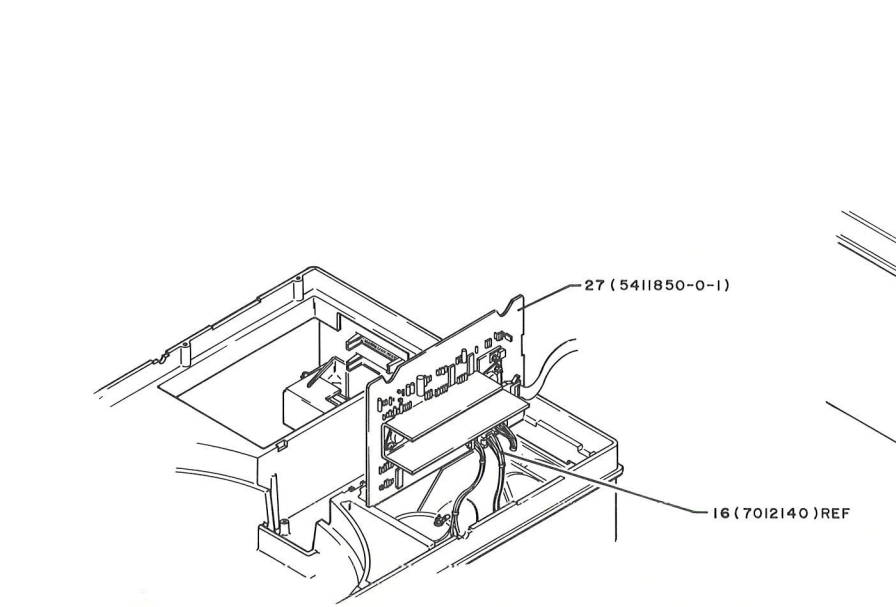
THIS DRAWING AND SPECIFICATIONS HEREIN ARE THE PROPERTY OF DIGITAL EQUIPMENT CORPORATION AND SHALL NOT BE REPRODUCED OR COPIED OR USED IN WHOLE OR IN PART AS THE BASIS FOR THE MANUFACTURE OR SALE OF ITEMS WITHOUT WRITTEN PERMISSION OF DIGITAL EQUIPMENT CORPORATION.



REVISIONS
 DATE CHANGE NO. REV.

DESCRIPTION		DWG./PART NO.	ITEM NO.
UNLESS OTHERWISE SPECIFIED DIMENSIONS ARE IN INCHES			
ANGLES	CLASS OF ACCURACY	NOMINAL DIMENSION RANGE INCHES	
10° 30'		OVER 0	UP TO 300
		0.005	0.010
SURFACE QUALITY	(CHECK ONE)	0.005	0.010
		0.010	0.015
		0.015	0.020
		0.020	0.025
		0.025	0.030
		0.030	0.035
		0.035	0.040
		0.040	0.045
		0.045	0.050
QUANTITY & VARIATION	MICROINCHES	PREFERRED	1.012 1.016 1.020 1.024 1.028 1.032 1.036 1.040
THIRD ANGLE PROJECTION	DRN. <i>[Signature]</i>	DATE <i>2/24/77</i>	FIRST USED ON
REMOVE BURRS AND BREAK SHARP CORNERS	CHK'D <i>[Signature]</i>	DATE <i>2/24/77</i>	
DO NOT SCALE DWG.	ENG. <i>[Signature]</i>	DATE <i>2/24/77</i>	
	PROJ. ENG. <i>[Signature]</i>	DATE <i>2-24-77</i>	
	PROD. <i>[Signature]</i>	DATE <i>2-24-77</i>	
	NEXT HIGHER ASSY.		
MATERIAL	SCALE	SIZE	CODE
		E	UA
FINISH	SCALE	NUMBER	REV.
		2	M
		OF 4	
		DIST.	

"THIS DRAWING AND SPECIFICATIONS HEREIN ARE THE PROPERTY OF DIGITAL EQUIPMENT CORPORATION AND SHALL NOT BE REPRODUCED OR COPIED OR USED IN WHOLE OR IN PART AS THE BASIS FOR THE MANUFACTURE OR SALE OF ITEMS WITHOUT WRITTEN PERMISSION OF DIGITAL EQUIPMENT CORPORATION."



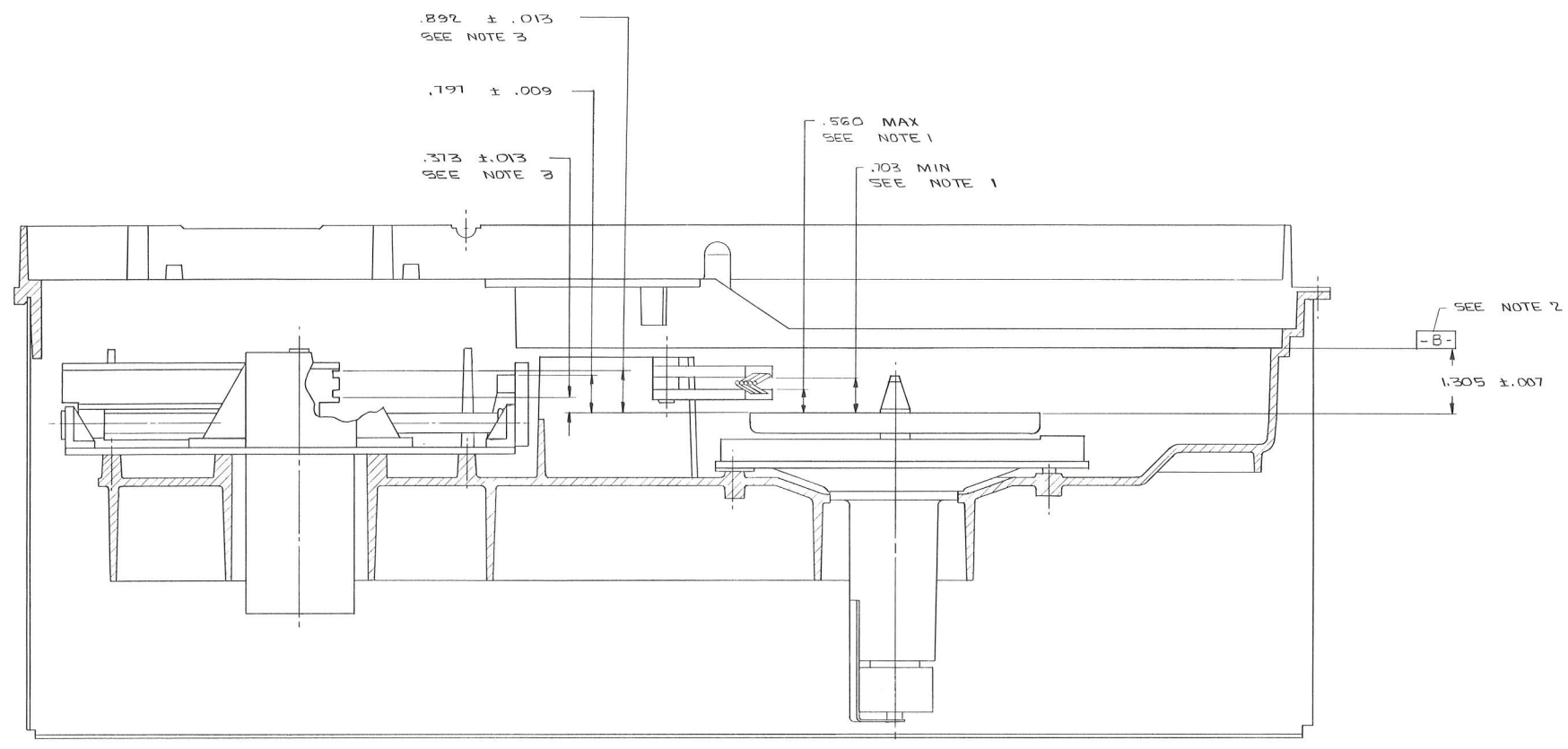
REVISIONS	
CHK	CHANGE NO. REV.

DESCRIPTION		DWG. PART NO.	ITEM NO.
UNLESS OTHERWISE SPECIFIED DIMENSIONS ARE IN INCHES			
ANGLES	CLASS OF ACCURACY	NOMINAL DIMENSION RANGE INCHES	
10° 30'	0	OVER 0	OVER 12.5
	1	0.125	0.375
	2	0.375	0.875
	3	0.875	1.375
	4	1.375	1.875
	5	1.875	2.375
	6	2.375	2.875
	7	2.875	3.375
	8	3.375	3.875
	9	3.875	4.375
	10	4.375	4.875
	11	4.875	5.375
	12	5.375	5.875
	13	5.875	6.375
	14	6.375	6.875
	15	6.875	7.375
	16	7.375	7.875
	17	7.875	8.375
	18	8.375	8.875
	19	8.875	9.375
	20	9.375	9.875
	21	9.875	10.375
	22	10.375	10.875
	23	10.875	11.375
	24	11.375	11.875
	25	11.875	12.375
	26	12.375	12.875
	27	12.875	13.375
	28	13.375	13.875
	29	13.875	14.375
	30	14.375	14.875
	31	14.875	15.375
	32	15.375	15.875
	33	15.875	16.375
	34	16.375	16.875
	35	16.875	17.375
	36	17.375	17.875
	37	17.875	18.375
	38	18.375	18.875
	39	18.875	19.375
	40	19.375	19.875
	41	19.875	20.375
	42	20.375	20.875
	43	20.875	21.375
	44	21.375	21.875
	45	21.875	22.375
	46	22.375	22.875
	47	22.875	23.375
	48	23.375	23.875
	49	23.875	24.375
	50	24.375	24.875
	51	24.875	25.375
	52	25.375	25.875
	53	25.875	26.375
	54	26.375	26.875
	55	26.875	27.375
	56	27.375	27.875
	57	27.875	28.375
	58	28.375	28.875
	59	28.875	29.375
	60	29.375	29.875
	61	29.875	30.375
	62	30.375	30.875
	63	30.875	31.375
	64	31.375	31.875
	65	31.875	32.375
	66	32.375	32.875
	67	32.875	33.375
	68	33.375	33.875
	69	33.875	34.375
	70	34.375	34.875
	71	34.875	35.375
	72	35.375	35.875
	73	35.875	36.375
	74	36.375	36.875
	75	36.875	37.375
	76	37.375	37.875
	77	37.875	38.375
	78	38.375	38.875
	79	38.875	39.375
	80	39.375	39.875
	81	39.875	40.375
	82	40.375	40.875
	83	40.875	41.375
	84	41.375	41.875
	85	41.875	42.375
	86	42.375	42.875
	87	42.875	43.375
	88	43.375	43.875
	89	43.875	44.375
	90	44.375	44.875
	91	44.875	45.375
	92	45.375	45.875
	93	45.875	46.375
	94	46.375	46.875
	95	46.875	47.375
	96	47.375	47.875
	97	47.875	48.375
	98	48.375	48.875
	99	48.875	49.375
	100	49.375	49.875

THIRD-ANGLE PROJECTION	DRN: 522	694677	FIRST USED ON	digital
REMOVED BURRS AND BREAK SHARP CORNERS	CHKD: [initials]	ENG: [initials]	PROJ. ENG: [initials]	PROD. [initials]
DO NOT SCALE DWG.	NEXT HIGHER ASSY.			
MATERIAL	SCALE	SIZE CODE	NUMBER	REV.
FINISH	SHEET 3 OF 4	E UA	RLOI-0-0	M

THIS DRAWING AND SPECIFICATIONS HEREIN ARE THE PROPERTY OF DIGITAL EQUIPMENT CORPORATION AND SHALL NOT BE REPRODUCED OR COPIED OR USED IN WHOLE OR IN PART AS THE BASIS FOR THE MANUFACTURE OR SALE OF ITEMS WITHOUT WRITTEN PERMISSION. COPYRIGHT © 1970, DIGITAL EQUIPMENT CORPORATION.

NOTES:
 1. DIMENSION APPLIES TO HIGHER OR LOWEST POINT ALONG BRUSHARM OR BLOCK OF BRUSH.
 2. 3 TOOLING POINTS SEE DRAWING 7A16846 OR 7A15237
 3. DIMENSION HAS TO BE WITHIN .004 AT BOTH EXTREMES OF CARRIAGE TRAVEL.



8 7 6 5 4 3 2 1

J

H

F

E

D

C

B

A

8 7 6 5 4 3 2 1

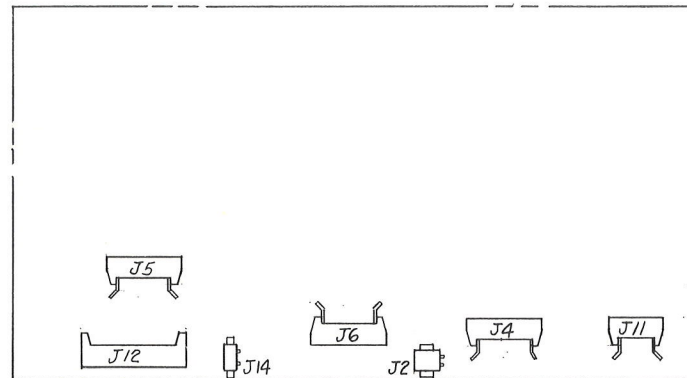
REV. 1
 2
 3
 4
 5
 6
 7
 8

THIRD ANGLE PROJECTION		DRN: <i>[Signature]</i>	DATE: 3/12/72	FIRST USED ON	<i>[Signature]</i>
REMOVE BURRS AND BREAK SHARP CORNERS	PROJ. ENG.	CHK'D: <i>[Signature]</i>	DATE: 3/14/72	TITLE RLOI DISK DRIVE ASSEMBLY	
DO NOT SCALE DWG	NEXT HIGHER ASSY.	ENG. <i>[Signature]</i>	DATE: 3/14/72	MATERIAL	
FINISH		SCALE	SHEET 4 OF 4	SIZE	CODE
DIST.		4	4	E	UA
REV.		NUMBER	REV.	REV.	
M		RLOI-0-0	M	M	

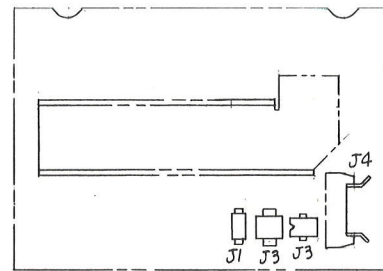
REV. 1
 2
 3
 4
 5
 6
 7
 8

"THIS DRAWING AND SPECIFICATIONS, HEREIN, ARE THE PROPERTY OF DIGITAL EQUIPMENT CORPORATION AND SHALL NOT BE REPRODUCED OR COPIED OR USED IN WHOLE OR IN PART AS THE BASIS FOR THE MANUFACTURE OR SALE OF ITEMS WITHOUT WRITTEN PERMISSION. COPYRIGHT © 1977, DIGITAL EQUIPMENT CORPORATION"

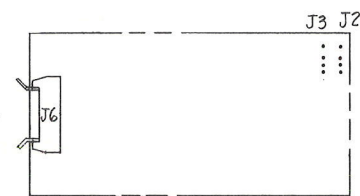
REV. B
NUMBER RL01-0-3
SIZE CODE D IC 2



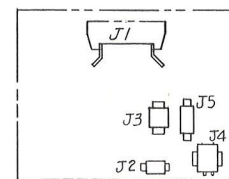
LOGIC BOARD
FIG. 1



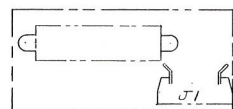
D.C. SERVO BOARD
FIG. 4



R/W BOARD
FIG. 2



A.C. SERVO BOARD
FIG. 5



FRONT PANEL BOARD
FIG. 3

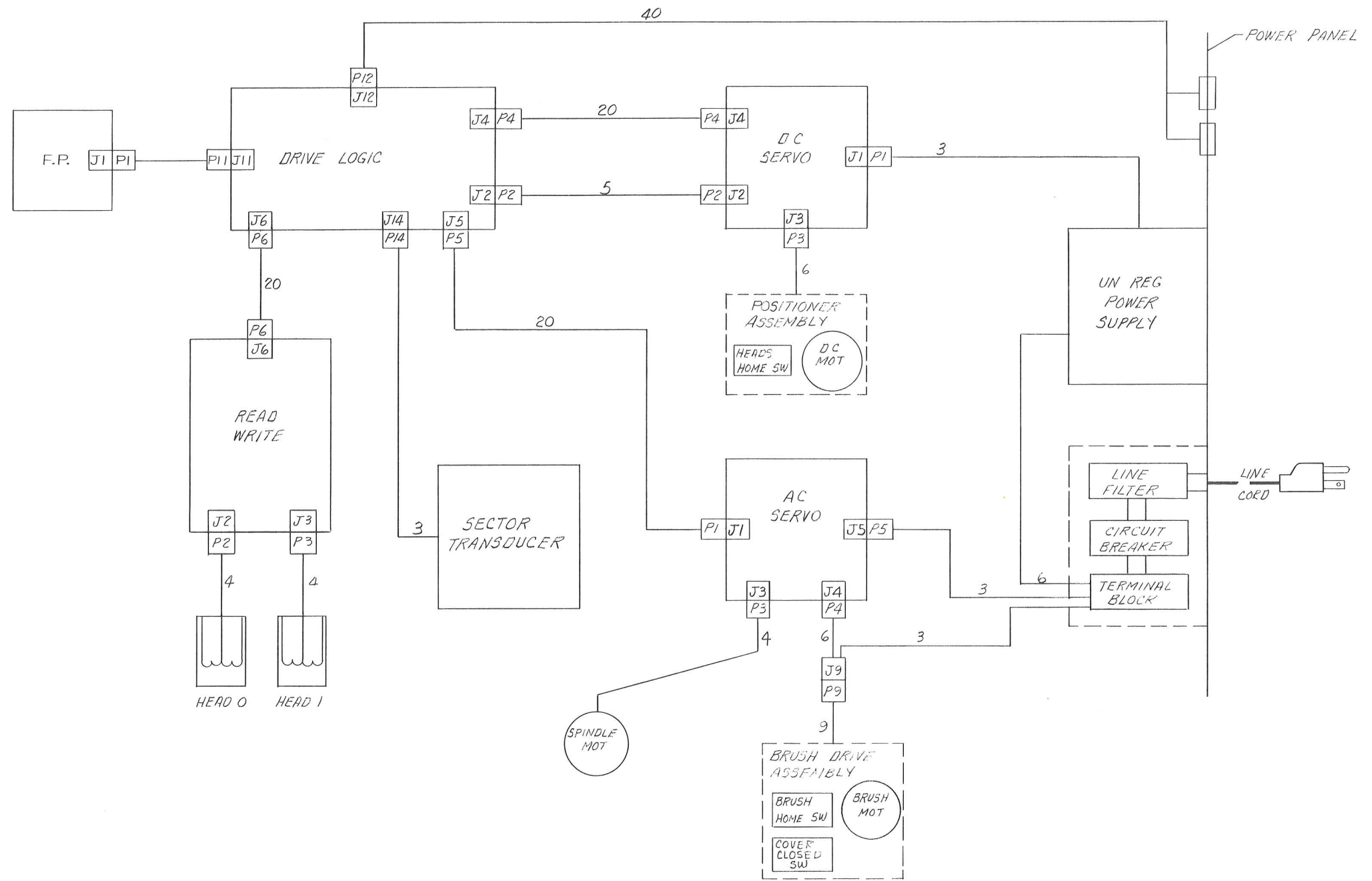
REV.	CHANGE NO.	REV.
A		A
B		B

RELEASED AT
REV A
REV B

RL01-CX010
DWG-N RL01-0-3
WAS RL01-0
K. G. ...

QUANTITY & VARIATION		DESCRIPTION	DWG./PART NO.	ITEM NO.
UNLESS OTHERWISE SPECIFIED DIMENSIONS ARE IN INCHES				
ANGLES ±0° 30'	CLASS OF ACCURACY (CHECK ONE)	NOMINAL DIMENSION RANGE INCHES		
SURFACE QUALITY IN	MEDIUM <input type="checkbox"/>	OVER 0 TO 0.2	OVER 0.2 TO 1.2	OVER 1.2 TO 4.0
MICROINCHES	PREFERRED <input type="checkbox"/>	OVER 4.0 TO 12.0	OVER 12.0 TO 40.0	OVER 40.0 TO 80.0
THIRD ANGLE PROJECTION	DRN. R. ... 9-27-77	FIRST USED ON	RL01	digital
REMOVE BURRS AND BREAK SHARP CORNERS	CHK'D ... 25 SEP-77	TITLE		
DO NOT SCALE DWG	ENG. ... 7-27-77	RL01 SYSTEM CABLING		
MATERIAL	PROD. ... 10/1/77	NEXT HIGHER ASSY.		
FINISH			SIZE CODE	NUMBER
			D IC	RL01-0-3
			SCALE	REV. B
			SHEET	DIST.
			OF 2	

"THIS DRAWING AND SPECIFICATIONS, HEREIN, ARE THE PROPERTY OF DIGITAL EQUIPMENT CORPORATION AND SHALL NOT BE REPRODUCED OR COPIED OR USED IN WHOLE OR IN PART AS THE BASIS FOR THE MANUFACTURE OR SALE OF ITEMS WITHOUT WRITTEN PERMISSION. COPYRIGHT © 1978, DIGITAL EQUIPMENT CORPORATION"

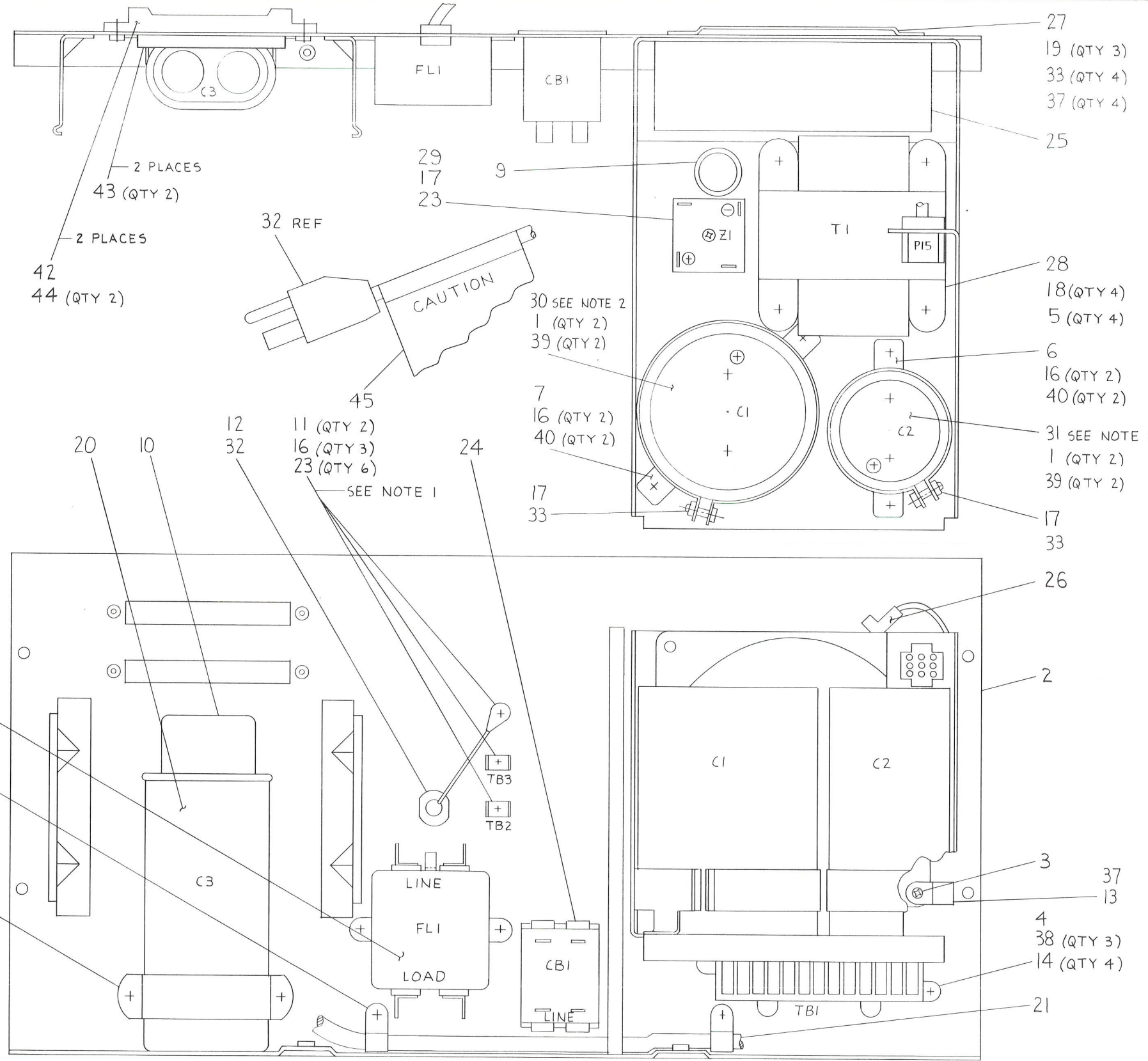


REV.	
CHANGE NO.	
CHK	

THIRD ANGLE PROJECTION		DRN. R. <i>[Signature]</i> 9-27-77	FIRST USED ON	RL01	digital
REMOVE BURRS AND BREAK SHARP CORNERS		CHK'D <i>[Signature]</i> 9/27/77	TITLE		
DO NOT SCALE DWG		PROJ. ENG. <i>[Signature]</i> 10/11/77	RL01 SYSTEM CABLING		
MATERIAL		PROD. <i>[Signature]</i> 11/1/77	SIZE	D IC	NUMBER
FINISH		NEXT HIGHER ASSY.	SCALE	RL01-0-3	REV. B
			SHEET	2 OF 2	DIST.

"THIS DRAWING AND SPECIFICATIONS, HEREIN, ARE THE PROPERTY OF DIGITAL EQUIPMENT CORPORATION AND SHALL NOT BE REPRODUCED OR COPIED OR USED IN WHOLE OR IN PART AS THE BASIS FOR THE MANUFACTURE OR SALE OF ITEMS WITHOUT WRITTEN PERMISSION. COPYRIGHT © 1978, DIGITAL EQUIPMENT CORPORATION"

NOTES:
 1. INT TOOTH LOCK WASHERS (ITEM 23) ARE USED OVER AND UNDER 2 POSITION TERMINALS (ITEM 11) AND GROUND TERMINAL.
 2. ORIENT TERMINALS AS SHOWN.



1	LABEL, AC CORD WARNING	3611448-00	45
4	SCR, SLOTTED RD HD 4-40 X.25 LG	9006397-05	44
4	RECEPTACLE, GUIDE	1211591-38	43
2	RECEPTACLE	1211591-35	42
2	SCR, PHL PAN HD 6-32 X.31 LG	9006021-01	41
8	WASHER, EXT TOOTH LOCK #6	9007649-00	40
4	WASHER, INT TOOTH LOCK #10	9006635-00	39
3	SCR, PHL PAN HD #6 X.38 LG SELF-TAP	9009800-06	38
7	WASHER, FLAT #6	9006653-00	37
1	HARNESS, TB	B-IA-7012125-0B	36
1	HARNESS, TB	B-IA-7012125-0E	35
1	HARNESS, POWER	C-IA-7012142-0-0	34
6	NUT, KEP #6	9006560-00	33
1	LINE CORD	B-IA-7012109-0-0	32
1	CAPACITOR, 20000 MF 40 V	1013531-00	31
1	CAPACITOR, 66000 MF 30 V	1013530-00	30
1	DIODE ASSEMBLY	1110051-00	29
1	TRANSFORMER	1613897-00	28
1	GRILL, FAN	1210263-00	27
1	CABLE, FAN	B-IA-7012110-0-0	26
1	FAN	1209403-01	25
1	CIRCUIT BREAKER	1214360-00	24
9	WASHER, INT TOOTH LOCK #6	9006635-00	23
1	RFI FILTER	1215360-00	22
1	HARNESS, POWER PANEL	D-IA-7012108-0-0	21
1	MOTOR CAPACITOR	1013102-00	20
3	SCR, PHL PAN HD 6-32 X.88 LG	9006027-01	19
4	SCR, PHL PAN HD 8-32 X.31 LG	9006036-01	18
3	SCR, PHL PAN HD 6-32 X.44 LG	9006023-01	17
11	SCR, PHL PAN HD 6-32 X.25 LG	9006020-01	16
A/R	TAPE, FOAM	9009059-01	15
4	SCR, PHL PAN HD #6 X.88 LG SELF-TAP	9009800-01	14
3	CLAMP, CABLE 5/16	9007082-00	13
1	BUSHING, STRAIN RELIEF	9009768-01	12
2	TERM, QUICK 2 POS ADAPTER	9007113-00	11
1	INSULATOR, MOTOR CAP	1213683-00	10
1	GROMMET, RUBBER	9007016-00	9
1	BRACKET, CAPACITOR MOTOR	1213156-01	8
1	BRACKET, CAPACITOR	1210431-00	7
1	BRACKET, CAPACITOR	1210430-00	6
4	WASHER, EXT TOOTH LOCK #8	9008072-00	5
1	TERMINAL BLOCK ASSY	C-AD-7012127-0-0	4
1	SCR, PHL PAN HD 6-32 X 1.00 LG	9006028-01	3
1	CHASSIS, POWER SUPPLY	D-IA-7416326-0-0	2
4	SCR, PHL PAN HD 10-32 X.31 LG	9006070-01	1

REV.	DESCRIPTION	DATE	BY	CHK
A	RELEASED AT PREVIOUS REV X078			
B	7012130-0001 G. REICHENBERG			
C	7012130-0002 G. SCHNEIDER			
D	RL01-00009 G. SCHNEIDER			
E	7012130-CX003 K. GUENZEL			
F	7012130-CX004 G. REICHENBERG			
H	7012130-CX005 G. REICHENBERG			
J	RL01-CZ018 K. GUENZEL			
K	7012130-CZ006 K. GUENZEL			

THIRD ANGLE PROJECTION		QUANTITY & VARIATION		7012130-0	
REMOVE BURRS AND BREAK SHARP CORNERS		DO NOT SCALE DWG		NEXT HIGHER ASSY.	
MATERIAL SEE PARTS LIST		FINISH		E-UA-RL01-0-0	
SCALE: 1/1		SHEET 1 OF 3		SIZE CODE NUMBER REV. D AD 7012130-0-0 K	
DIST.					

DESCRIPTION		DWG./PART NO.	ITEM NO.
UNLESS OTHERWISE SPECIFIED DIMENSIONS ARE IN INCHES			
ANGLES ±0° 30'	CLASS OF ACCURACY	NOMINAL DIMENSION RANGE INCHES	
SURFACE QUALITY IN	(CHECK ONE)	OVER 0 TO 0.2	OVER 0.2 TO 0.4
		OVER 0.4 TO 0.8	OVER 0.8 TO 1.2
MEDIUM	±.004	±.012	±.016
PREFERRED	±.012	±.016	±.025
FIRST USED ON		RL01	digital
TITLE POWER PANEL ASSY			
PROJ. ENG. P. ARNOLD		30/AUG/77	
PROD. B. RYLANDER		30/AUG/77	

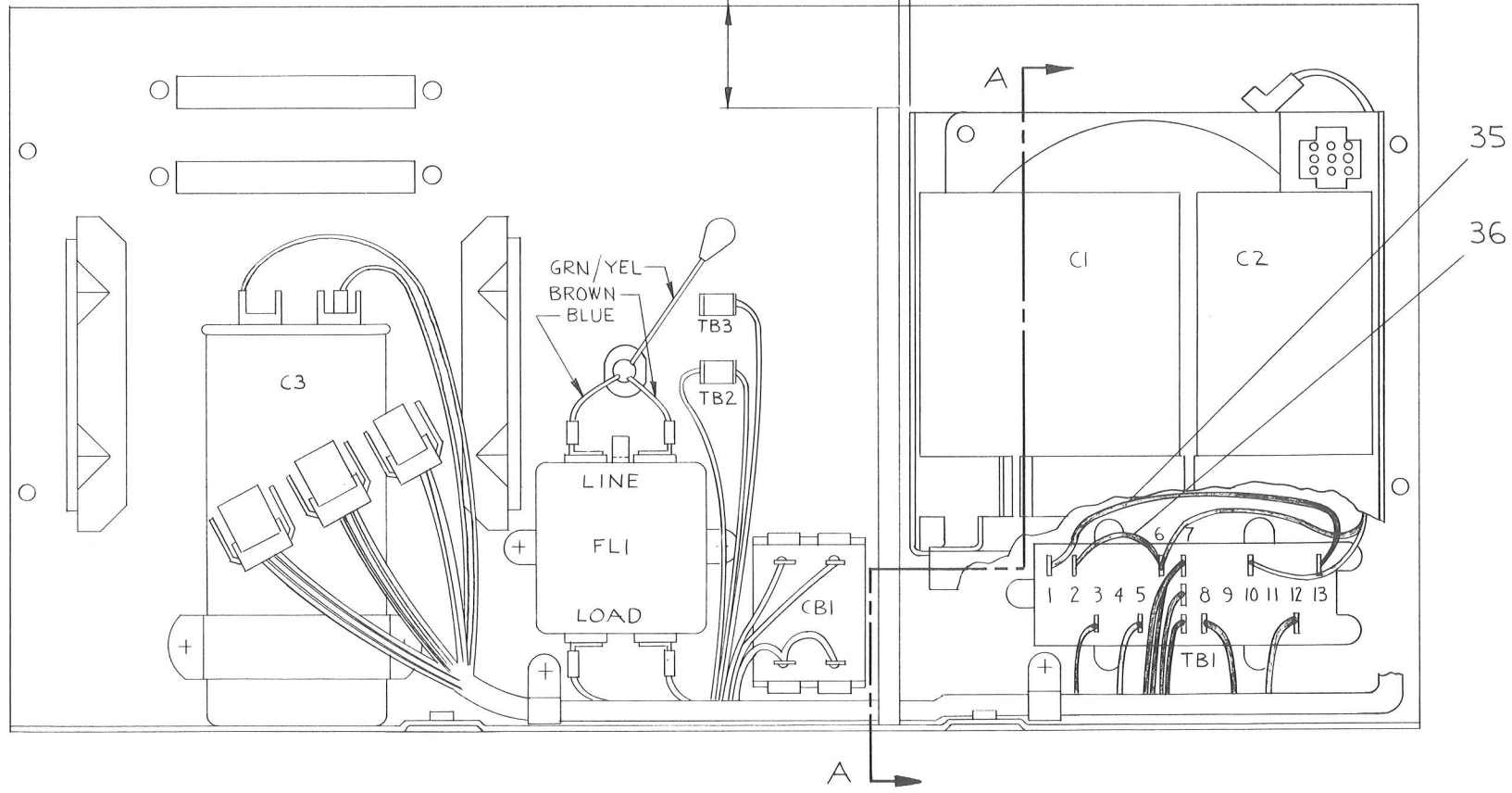
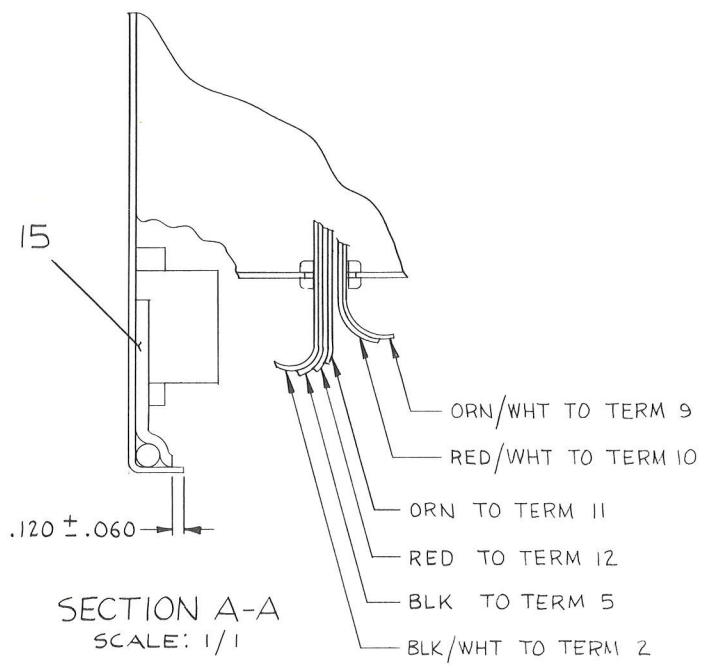
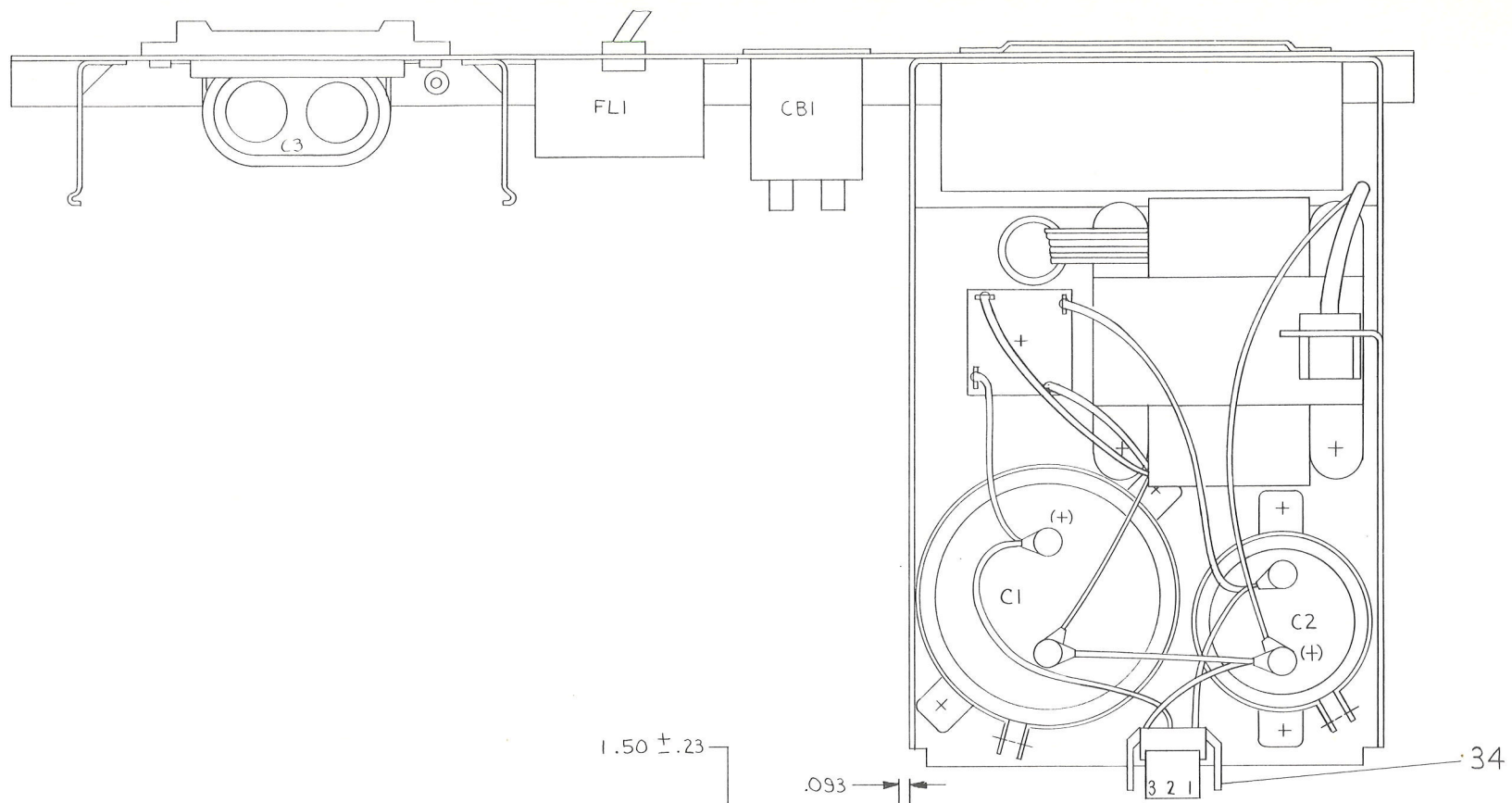
"THIS DRAWING AND SPECIFICATIONS, HEREIN, ARE THE PROPERTY OF DIGITAL EQUIPMENT CORPORATION AND SHALL NOT BE REPRODUCED OR COPIED OR USED IN WHOLE OR IN PART AS THE BASIS FOR THE MANUFACTURE OR SALE OF ITEMS WITHOUT WRITTEN PERMISSION. COPYRIGHT © 1978 DIGITAL EQUIPMENT CORPORATION"

- NOTES:
- INPUT VOLTAGE 50 OR 60 HZ
90-110, 105-128 VAC
180-220, 210-256 VAC
 - OUTPUT VOLTAGE ± 11.5 VDC MIN AT MIN POINT OF THE RIPPLE. 18 VDC MAX AT HIGH LINE. (MAX OF 25 VDC AT HIGH LINE NO LOAD).
 - OUTPUT CURRENT: POSITIVE OUTPUT
2.5 AMP CONTINUOUS
3.5 AMP PULSE "25 MS"
NEGATIVE OUTPUT
.25 AMP CONTINUOUS
3.5 AMP PULSE "25 MS"
PULSE CURRENT ON ALTERNATE OUTPUT AT A 65 MS OUT CYCLE.
 - OUTPUT RIPPLE AT 110 VOLTS

A. NO LOAD	100 mV P/P
B. +2.5 A	600 mV P/P
-2.5 A	300 mV P/P
C. +2.5 A	600 mV P/P
-3.75 A	1.5 V DURING PULSE

 RIPPLE AT 90 V RMS

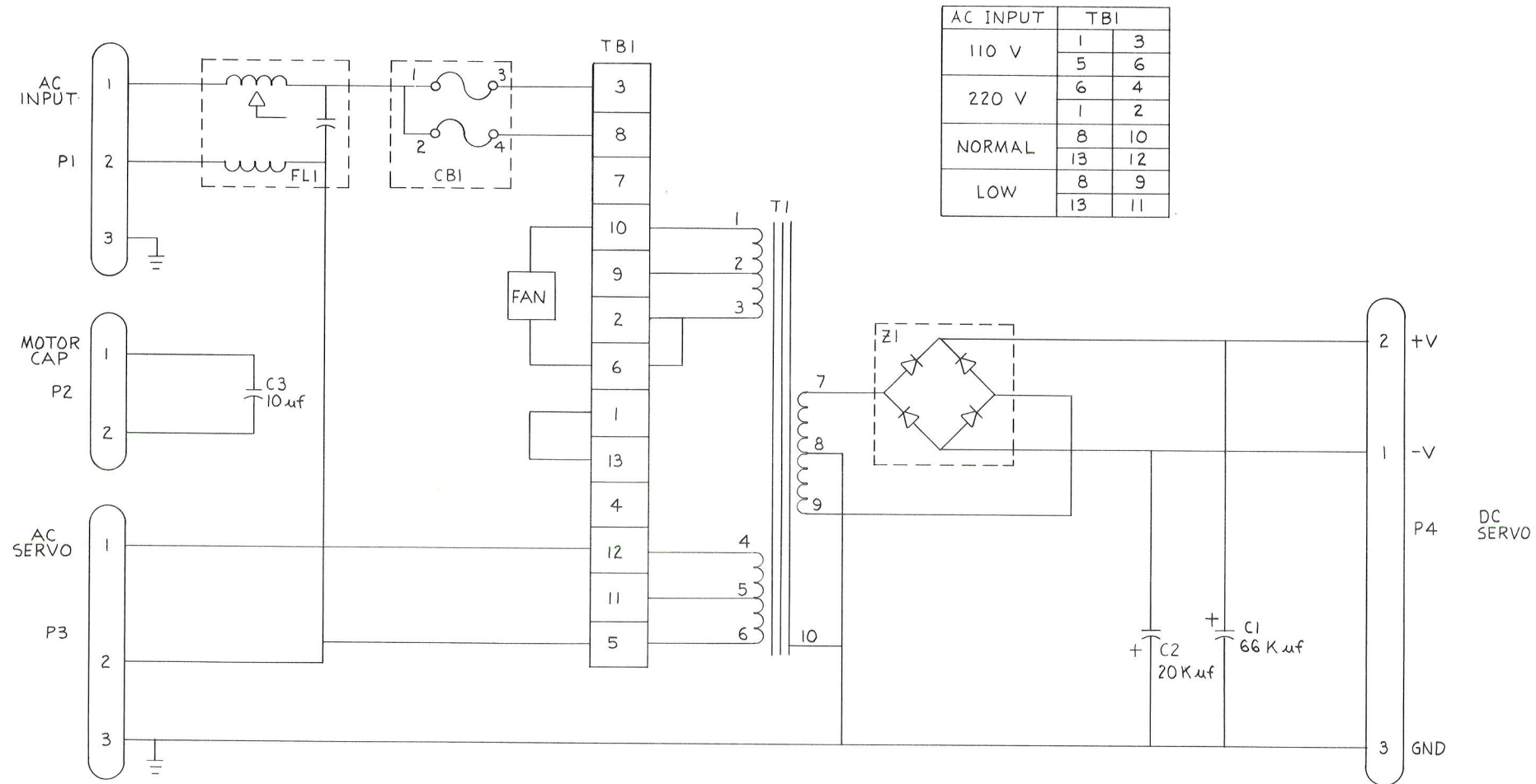
+2.5 A	500 mV
-3.75 A	2 V
+6 A	900 mV
-2.5 A	400 mV
 - HIGH POT TEST PER UL 478
CONNECT BOTH AC LEADS TO THE POSITIVE TERMINAL OF THE SUPPLY AND GRN WIRE GROUND TO THE NEGATIVE TERMINAL OF THE SUPPLY. CLOSE CIRCUIT BREAKER AND INCREASE VOLTAGE TO 1750 VDC, ANY CURRENT INDICATES FAILURE.



REVISIONS		
CHK	CHANGE NO.	REV.

TITLE	POWER PANEL ASSY	SIZE/CODE	D AD7012130-0-0	NUMBER	K	REV.	
SCALE:	1/1	SHEET	2 OF 3	DIST.			

"THIS DRAWING AND SPECIFICATIONS, HEREIN, ARE THE PROPERTY OF DIGITAL EQUIPMENT CORPORATION AND SHALL NOT BE REPRODUCED OR COPIED OR USED IN WHOLE OR IN PART AS THE BASIS FOR THE MANUFACTURE OR SALE OF ITEMS WITHOUT WRITTEN PERMISSION. COPYRIGHT © 1978 DIGITAL EQUIPMENT CORPORATION"



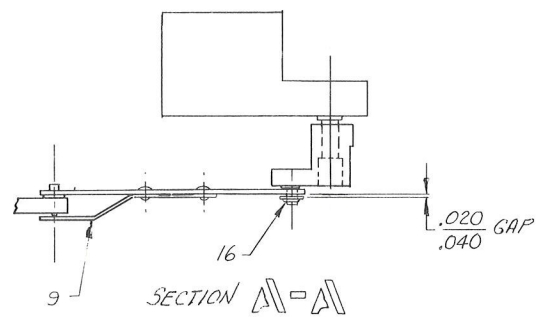
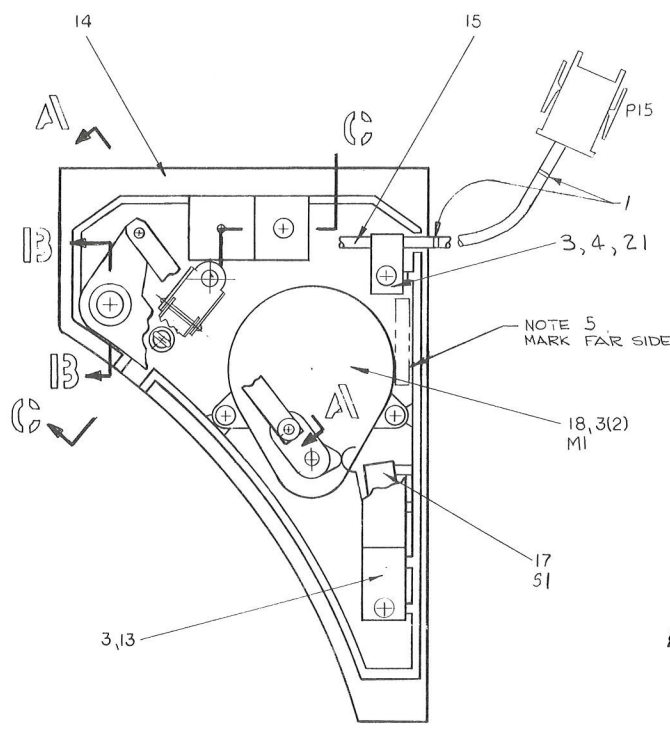
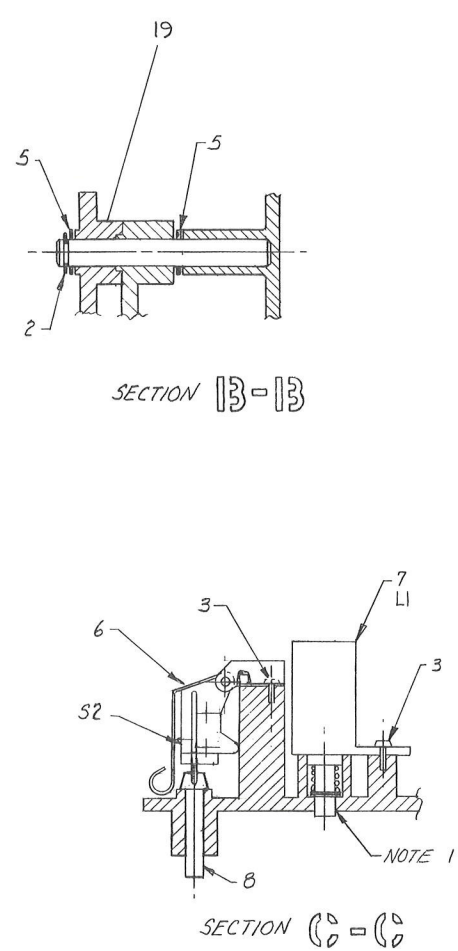
AC INPUT	TBI	
110 V	1	3
	5	6
220 V	6	4
	1	2
NORMAL	8	10
	13	12
LOW	8	9
	13	11

REVISIONS		
CHK	CHANGE NO.	REV.

"THIS DRAWING AND SPECIFICATIONS, HEREIN, ARE THE PROPERTY OF DIGITAL EQUIPMENT CORPORATION AND SHALL NOT BE REPRODUCED OR COPIED OR USED IN WHOLE OR IN PART AS THE BASIS FOR THE MANUFACTURE OR SALE OF ITEMS WITHOUT WRITTEN PERMISSION. COPYRIGHT © 1976, DIGITAL EQUIPMENT CORPORATION"

REV. E 7012112-0-0 D AD 7012112-0-0 2 1

- NOTES:
1. PLUNGER OF SOLENOID (ITEM 7) MUST MOVE FREELY. WHEN ASSEMBLY IS POSITIONED IN "UP" POSITION (TIP OF PLUNGER POINTING UP) A DC VOLTAGE OF 6.9 VOLTS SHALL PULL THE PLUNGER DOWN.
 2. UPPER AND LOWER BRUSH HOLDER (ITEMS 11 & 12) BONDED TOGETHER WITH (ITEM 21) BEFORE ASSEMBLY TO COVER (ITEM 14).
 3. ADJUST SWITCH (ITEM 17) BY LATERAL MOVEMENT OF BRACKET (ITEM 13). TRANSITION OF SWITCH TO OCCUR AT DEAD-CENTER OF CRANK (ITEM 19).
 4. CONNECT LEADS OF MOTOR (ITEM 18) TO PINS 3 & 4 OF CONNECTOR P15 AND LEADS OF SOLENOID (ITEM 7) TO PINS 6 & 7 OF CONNECTOR P15. DRESS WIRES AND TIE TO HARNESS (ITEM 15) WITH ITEM 1 AS SHOWN.
 5. PART TO BE MARKED WITH PART # (7012112) AND REVISION LETTER IN AREA SHOWN.



QUANTITY	DESCRIPTION	DWG./PART NO.	ITEM NO.
1	WASHER, #6 FLAT	9006653-00	21
1	BRUSH AND HOLDER ASSY	D-1A-7016726-0-0	19
1	MOTOR, CRANK ASSEMBLY	C-AD-7014261-0-0	18
1	SWITCH	A-PS-1214011-06	17
1	PUSHNUT FASTENER	9009865-00	16
1	BRUSH DRIVE HARNESS	C-1A-7012126-0-0	15
1	COVER, BRUSH DRIVE	E-1A-7415224-0-0	14
1	BRACKET, SWITCH	C-MD-7415229-0-0	13
±	HOLDER, UPPER BRUSH	C-MD-7415226-0-0	±2
±	HOLDER, LOWER BRUSH	C-MD-7415225-0-0	±#
1	WASHER, LOCK #6 EXT	A-PS-9007649	10
1	BRUSH DRIVE LINK ASSEMBLY	C-1A-7418589-0-0	9
1	PLUNGER, CARTRIDGE SENSE	B-MD-7416858-0-0	8
1	SOLENOID, COVER LOCK	CPS-1213204-0-0	7
1	CARTRIDGE SENSE SWITCH ASSY	CAD-7012132-0-0	6
2	WASHER	9009868-00	5
1	CLAMP, CABLE	9007081-00	4
6	SCR, SELF-TAP, #6 X .38 LG	9009800-06	3
1	RETAINER	9009866-00	2
4	WRAP, TIE	9007031-00	1

UNLESS OTHERWISE SPECIFIED DIMENSIONS ARE IN INCHES						
ANGLES ±0° 30'	CLASS OF ACCURACY (CHECK ONE)	NOMINAL DIMENSION RANGE INCHES				
SURFACE QUALITY IN MICROINCHES		OVER 0 TO 0.2	OVER 0.2 TO 1.2	OVER 1.2 TO 4.0	OVER 4.0 TO 12.0	OVER 12.0 TO 40.0
MEDIUM	<input type="checkbox"/>	±.004	±.008	±.012	±.016	±.024
PREFERRED	<input checked="" type="checkbox"/>	±.012	±.016	±.025	±.04	±.063

REV.	CHANGE NO.	DESCRIPTION
A	1	RELEASED AT A PREVIOUS REV X.05
B	1	7012112-CX001 George R. Wenzel Briggs Beckley
C	1	7012112-CX002 G. Wenzel
D	1	7012112-CZ003 K. GUENZEL
E	1	7012112-CZ004 KURT GUENZEL

THIRD ANGLE PROJECTION

REMOVE BURRS AND BREAK SHARP CORNERS

DO NOT SCALE DWG

MATERIAL: SEE PARTS LIST

FINISH: / /

DRN. #12776
CHK'D. #12776
ENG. #12776
PROJ. ENG. #12776
PROD. #12776

FIRST USED ON: RL01

TITLE: BRUSH DRIVE ASSEMBLY

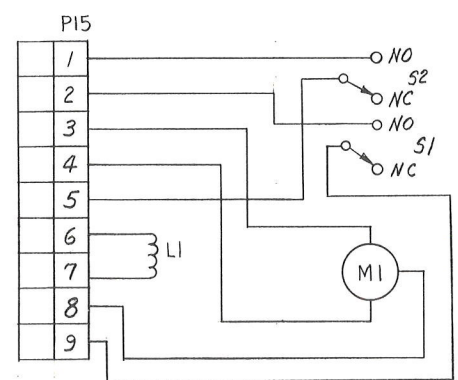
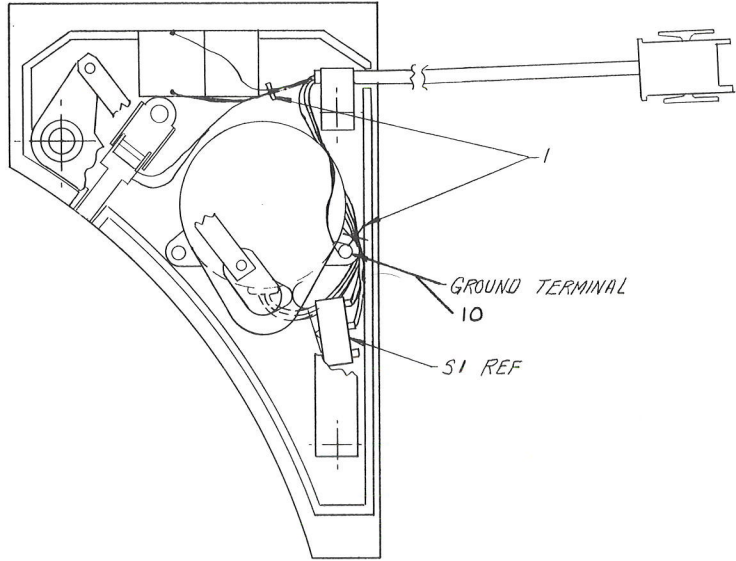
SIZE CODE: D AD

NUMBER: 7012112-0-0

REV. E

SHEET 1 OF 2

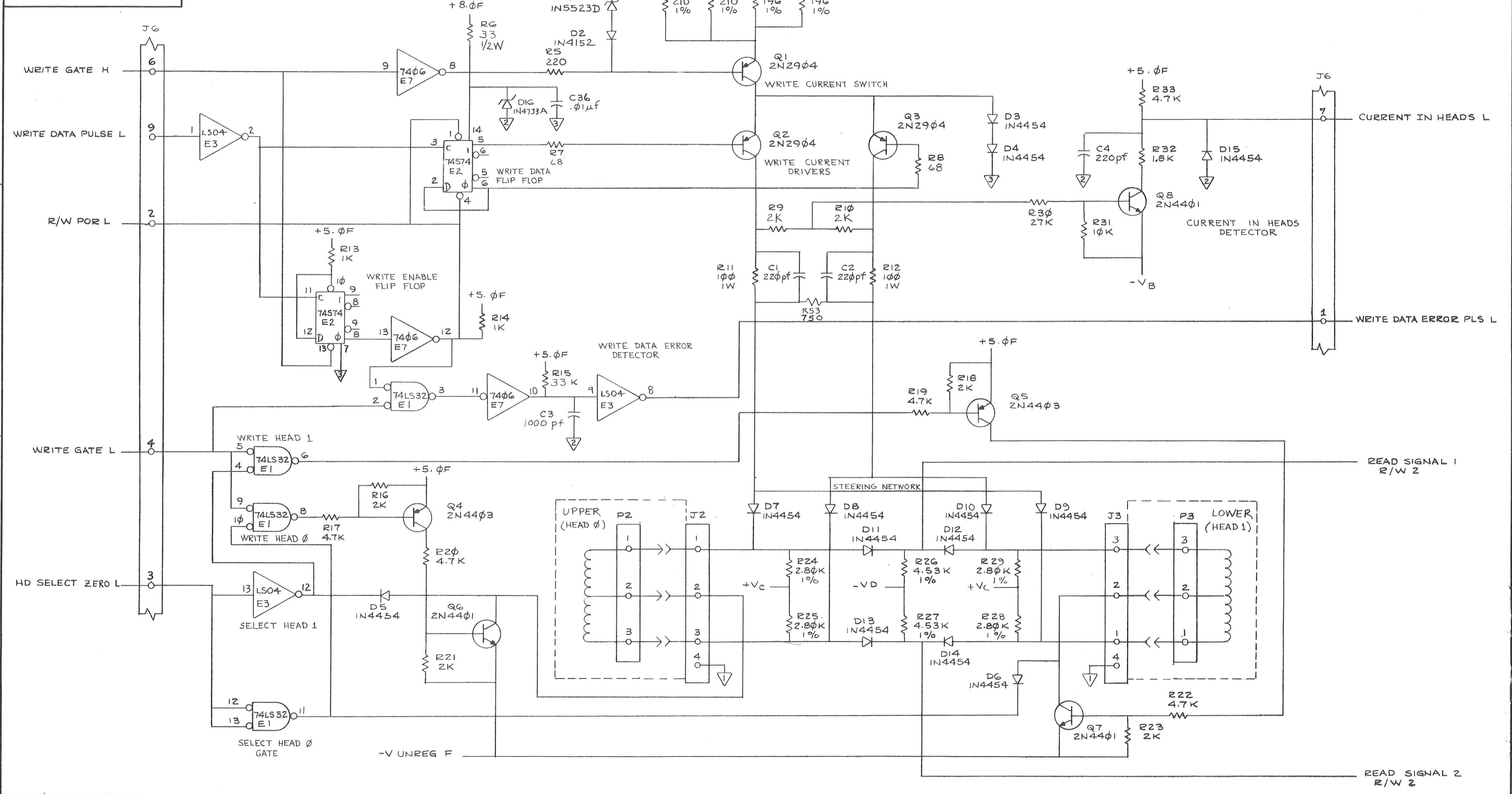
"THIS DRAWING AND SPECIFICATIONS, HEREIN, ARE THE PROPERTY OF DIGITAL EQUIPMENT CORPORATION AND SHALL NOT BE REPRODUCED OR COPIED OR USED IN WHOLE OR IN PART AS THE BASIS FOR THE MANUFACTURE OR SALE OF ITEMS WITHOUT WRITTEN PERMISSION. COPYRIGHT © 1976 DIGITAL EQUIPMENT CORPORATION"



CIRCUIT SCHEMATIC

REVISIONS		
CHK	CHANGE NO.	REV.

"THIS DRAWING AND SPECIFICATIONS, HEREIN, ARE THE PROPERTY OF DIGITAL EQUIPMENT CORPORATION AND SHALL NOT BE REPRODUCED OR COPIED OR USED IN WHOLE OR IN PART AS THE BASIS FOR THE MANUFACTURE OR SALE OF ITEMS WITHOUT WRITTEN PERMISSION. COPYRIGHT © 1977, DIGITAL EQUIPMENT CORPORATION"

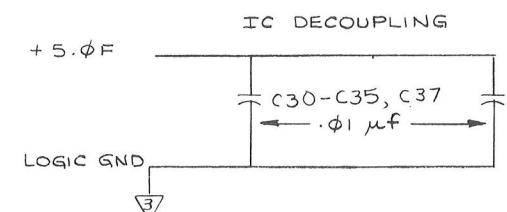
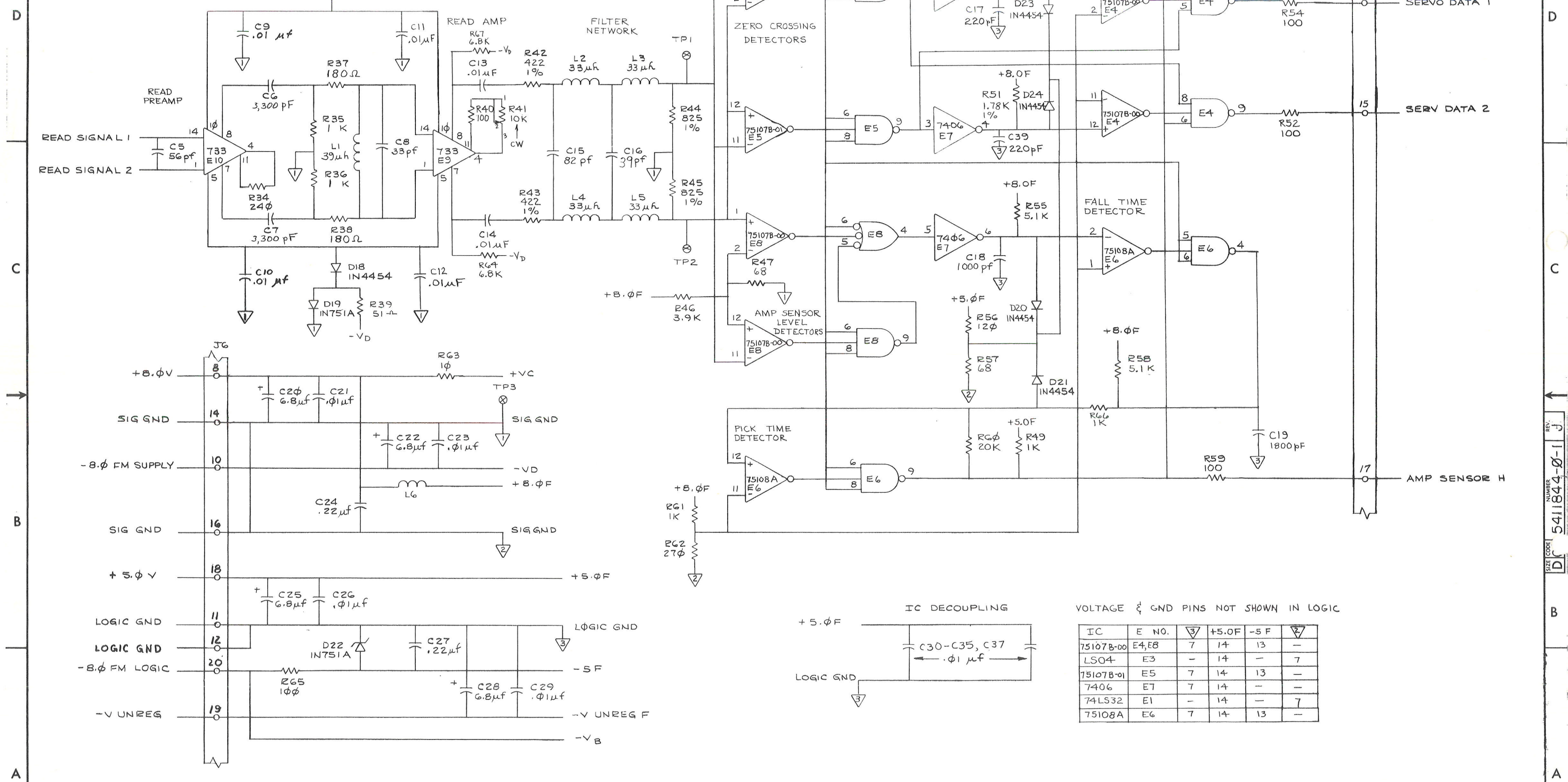


REV.	CHG.	NO.	BY	DATE
A	1	1	GEORGE REICHENBERG	2/26/76
B	1	1	GEORGE REICHENBERG	3-10-77
C	1	1	GEORGE REICHENBERG	5-5-77
D	1	1	GEORGE REICHENBERG	5/5/77
E	1	1	GEORGE REICHENBERG	5/5/77
F	1	1	GEORGE REICHENBERG	5/5/77
G	1	1	GEORGE REICHENBERG	5/5/77
H	1	1	GEORGE REICHENBERG	5/5/77
I	1	1	GEORGE REICHENBERG	5/5/77
J	1	1	GEORGE REICHENBERG	5/5/77

DRN: <i>Don Metzger</i>	2/26/76	FIRST USED ON	digital
CHK'D: <i>Burnell</i>	3-10-77	TITLE	READ/WRITE BOARD
ENG: <i>Paul</i>	5-5-77	SCALE	1/1
PROJ. ENG: <i>Paul</i>	5/5/77	SHEET	1 OF 2
PROD: <i>Paul</i>	5/5/77	DIST.	
NEXT HIGHER ASSY.		SIZE	D
D-UA-5411844-0-0		CODE	CS
		NUMBER	5411844-0-1
		REV.	J

"THIS DRAWING AND SPECIFICATIONS, HEREIN, ARE THE PROPERTY OF DIGITAL EQUIPMENT CORPORATION AND SHALL NOT BE REPRODUCED OR COPIED OR USED IN WHOLE OR IN PART AS THE BASIS FOR THE MANUFACTURE OR SALE OF ITEMS WITHOUT WRITTEN PERMISSION. COPYRIGHT © 1976 DIGITAL EQUIPMENT CORPORATION"

NOTES:
1. READ GAIN, 650MV ON LOWEST HEAD MEASURED ON CYL 255



VOLTAGE & GND PINS NOT SHOWN IN LOGIC

IC	E NO.	+	+5.0F	-5F	⊖
75107B-00	E4, E8	7	14	13	-
LS04	E3	-	14	-	7
75107B-01	E5	7	14	13	-
7406	E7	7	14	-	-
74LS32	E1	-	14	-	7
75108A	E6	7	14	13	-

REVISIONS		
CHK	CHANGE NO.	REV.

DIGITAL EQUIPMENT CORPORATION

PARTS LIST

MADE BY *P. Bunnell*
 DATE *8-9-76*
 ENG *P. Bunnell*
 DATE *5/1/77*

CHECKED *P. Bunnell* SECTION
 DATE *2-18-77*
 PROD *P. Bunnell*
 DATE *5/1/77* ISSUED SECTION

ITEM NO.	DRAWING NO.	PART NO.	DESCRIPTION
1	D-MD-5011843-0-0	5011843	ETCHED CIRCUIT BOARD
2		1001610-00	CAPACITOR .01 uF 50V CER AX
3		1005306-00	CAPACITOR 6.8 uF 35V TANT
4		1000010-00	CAPACITOR 39 pF 100V MICA
5		1000015-00	CAPACITOR 82 pF 100V MICA
6		1013466-04	CAPACITOR 33 pF 50V CER AX
7		1013466-05	CAPACITOR 56pF 50V CER AX
8		1013466-07	CAPACITOR 220 pF 50V CER AX
9		1013466-09	CAPACITOR 1.000 pF 50V CER AX
10		1013466-11	CAPACITOR .22 uF 50V CER AX
11		1013963-00	CAPACITOR 3,300 pF 500V 85U
12		1011740-00	CAPACITOR 1800 pF 50V CER RAD
13		1109943-00	DIODE 1N4733A
14		1113953-00	DIODE 1N523D
15		1110994-00	DIODE 1N751A
16		1111577-00	DIODE 1N4454
17		1300271-00	RESISTOR 220Ω 1/4W 5% CC
18		1300229-00	RESISTOR 100Ω 1/4W 5% CC
19		1300232-00	RESISTOR 100Ω 1W 5% CC
20		1300247-00	RESISTOR 120Ω 1/4W 5% CC
21		1300365-00	RESISTOR 1K 1/4W 5% CC
22		1300444-00	RESISTOR 3.9K 1/4W 5% CC
23		1300447-00	RESISTOR 4.7K 1/4W 5% CC
24		1300479-00	RESISTOR 10K 1/4W 5% CC
25		1301317-00	RESISTOR 10Ω 1/4W 5% CC
26		1302412-00	RESISTOR 1.78K 1/4W 1% MF
27		1300195-00	RESISTOR 33Ω 1/2W 5% CC
28		1301972-00	RESISTOR 270Ω 1/4W 5% CC

ECO NO. *5411844-0-0*
 RELEASD AT KEVD
 EQVAL DI
 5411844-0-0
 P. Bunnell
 8-9-76
 5411844-0-0
 P. Bunnell
 2-18-77

THIS DRAWING AND SPECIFICATIONS HEREIN ARE THE PROPERTY OF DIGITAL EQUIPMENT CORPORATION AND SHALL NOT BE REPRODUCED OR COPIED OR USED IN WHOLE OR IN PART AS THE BASIS FOR THE MANUFACTURE OR SALE OF ITEMS WITHOUT WRITTEN PERMISSION. COPYRIGHT © 1977 DIGITAL EQUIPMENT CORPORATION.

EN-01140A-16-R276(325) DRB 125

QUANTITY / VARIATION

QUANTITY	VARIATION
5411844-0-0	
1	
16	
4	
1	
1	
1	
1	
5	
2	
2	
2	
1	
1	
1	
1	
19	
1	
5	
2	
1	
1	
1	
2	
1	
1	

NOTES:

REF DESIGNATION
 C9, C10, C11, C12, C21, C23, C26, C29, C30, C31, C32, C33, C34, C20, C22, C25, C28
 C16
 C15
 C8
 C5
 C1, C2, C4, C17
 C3, C18
 C24, C27
 C6, C7
 C19
 D16
 D1
 ,D19, D22
 ,D3, D4, D5, D6, D7, D8, D9, D10, D11, D12, D13, D14, D15, D17
 D18, D20, D21, D23, D24
 R5
 R40, R52, R54, R59, R65
 R11, R12
 R56
 R13, R14, R35, R36, R48, R49, R61, R66
 R46
 R17, R19, R20, R22, R33
 R31
 R63,
 R50, R51
 R6
 R62

ASSY NO. D-UA-5411844-0-0
 SHEET 1 OF 3
 SIZE CODE B PL
 NUMBER 5411844-0-0
 REV. J
 INSERTION PARTS LIST DATA BASE REV

DIGITAL EQUIPMENT CORPORATION

PARTS LIST

MADE BY *P. Bunnell*
 DATE *8-9-76*
 ENG *P. Bunnell*
 DATE *5/1/77*

CHECKED *P. Bunnell* SECTION
 DATE *2-18-77*
 PROD *P. Bunnell*
 DATE *5/1/77* ISSUED SECTION

ITEM NO.	DRAWING NO.	PART NO.	DESCRIPTION
29		1312930-00	RESISTOR 5.1K 1/4W 5% CC
30		1302388-00	RESISTOR 2K 1/4W 5% CC
31		1302391-00	RESISTOR 20K 1/4W 5% CC
32		1300398-00	RESISTOR 1.8K 1/4W 5% CC
33		1314863-00	RESISTOR 210Ω 1/4W 1% MF
34		1302956-00	RESISTOR 196Ω 1/4W 1% MF
35		1313349-00	RESISTOR 33K 1/4W 5% CC
36		1305143-00	RESISTOR 825Ω 1/4W 1% MF
37		1305145-00	RESISTOR 2.80K 1/4W 1% MF
38		1305346-00	RESISTOR 27K 1/4W 5% CC
39		1312928-00	RESISTOR 51Ω 1/4W 5% CC
40		1301322-00	RESISTOR 180Ω 1/4W 5% CC
41		1313469-00	RESISTOR 240Ω 1/4W 5% CC
42		1313840-00	RESISTOR 4.53K 1/4W 1% MF
43		1309143-10	POTENTIOMETER, 10K
44		1501913-00	TRANSISTOR 2N2904A T05
45		1513489-00	TRANSISTOR 2N4401 T092
46		1513490-00	TRANSISTOR 2N4403 T092
47		1210001-00	HEATSINK, T05
48		9007201-00	TRANSIFAD
49		9008268-00	THERMAL COMPOUND
50		1611257-01	CHOKE CERAMIC BEAD PERMEABILITY 850
51		1613898-01	INDUCTOR 33 μH
52		1613898-02	INDUCTOR 39 μH
53		1910268-00	IC, DEC, 75107B-00
54		1912803-00	IC, DEC, IS04
55		1910544-00	IC, DEC, 74S74
56		1910644-00	IC, DEC, 733

QUANTITY / VARIATION

QUANTITY	VARIATION
5411844-0-0	
2	
6	
1	
1	
2	
2	
1	
2	
4	
1	
1	
2	
1	
2	
1	
1	
3	
3	
2	
3	
3	
AR	
1	
4	
1	
2	
1	
1	
2	

NOTES:

REF DESIGNATION
 R58, R55
 R9, R10, R16, R18, R21, R23
 R60
 R32
 R1, R2
 R3, R4
 R15
 R44, R45
 R24, R25, R27, R29
 R30,
 R39,
 R37, R38
 R34,
 R26, R27
 R41
 Q1, Q2, Q3
 Q6, Q7, Q8
 Q4, Q5
 (Q1, Q2, Q3)
 (Q1, Q2, Q3)
 (Q1, Q2, Q3)
 L6
 L2, L4, L3, L5
 L1
 E4, E8
 E3
 E2
 E9, E10

ASSY NO. D-UA-5411844-0-0
 SHEET 2 OF 3
 SIZE CODE B PL
 NUMBER 5411844-0-0
 REV. J
 INSERTION PARTS LIST DATA BASE REV

ECO NO. *5411844-0-0*
 READ/WRITE BOARD
 TITLE
 THIS DRAWING AND SPECIFICATIONS HEREIN ARE THE PROPERTY OF DIGITAL EQUIPMENT CORPORATION AND SHALL NOT BE REPRODUCED OR COPIED OR USED IN WHOLE OR IN PART AS THE BASIS FOR THE MANUFACTURE OR SALE OF ITEMS WITHOUT WRITTEN PERMISSION. COPYRIGHT © 1977 DIGITAL EQUIPMENT CORPORATION.

EN-01140A-16-R276(325) DRB 125

DIGITAL EQUIPMENT CORPORATION

PARTS LIST

MADE BY <i>S. Burnell</i>	CHECKED <i>S. Burnell</i>	SECTION
DATE <i>8-9-76</i>	DATE <i>2-18-77</i>	
ENG <i>A. Burnell</i>	PROD <i>Bob Kil. 5/5/77</i>	ISSUED SECTION
DATE	DATE	

QUANTITY / VARIATION

NOTES:

ITEM NO.

DRAWING NO.

PART NO.

DESCRIPTION

5411844-0-0

REF DESIGNATION

57	1910741-00	IC, DEC, 7406	1	E7
58	1912816-00	IC, DEC, 74LS32	1	E1
59	1910268-01	IC, DEC, 75107B-01	1	E5
60	1910725-00	IC, DEC, 75108A	1	E6
61	1209941-06	CONNECTOR, 20 PIN BERG	1	J6
62	1209941-03	LATCH, CONNECTOR, RIGHT	1	J6
63	1209941-04	LATCH, CONNECTOR, LEFT	1	J6
64	1210385-01	PIN, HEAD CONNECTOR, GOLD	8	J2, J3
65	9007791-00	TERMINAL, TURRET	3	TP1, TP2, TP3
66				
67	1303067-00	RESISTOR, 422Ω, 1/4W, 1%, MF	2	R42, R43
68	1300219-00	RESISTOR, 68Ω, 1/4W, 5%, CC	4	R47, R57, R7, R8
69				
70	1301423-00	RESISTOR, 6.8K, 1/4W, 5%, CC	2	R64, R67
71	1301401-00	RESISTOR, 750Ω, 1/4W, 5%, CC	1	R53
72	1114117-00	DIODE, 1N4152	1	D2
73	1013466-16	CAP .01 μF	2	C13, C14

E.C.O. NO.

THIS DRAWING AND SPECIFICATIONS HEREIN ARE THE PROPERTY OF DIGITAL EQUIPMENT CORPORATION AND SHALL NOT BE REPRODUCED OR COPIED OR USED IN WHOLE OR IN PART AS THE BASIS FOR THE MANUFACTURE OR SALE OF ITEMS WITHOUT WRITTEN PERMISSION. COPYRIGHT © 1977 DIGITAL EQUIPMENT CORPORATION.

DRB 125

TITLE
READ/WRITE BOARD

ASSY NO.

D-0A-5411844-0-0

SIZE CODE
B PL

NUMBER
5411844-0-0

SHEET 3 OF 3

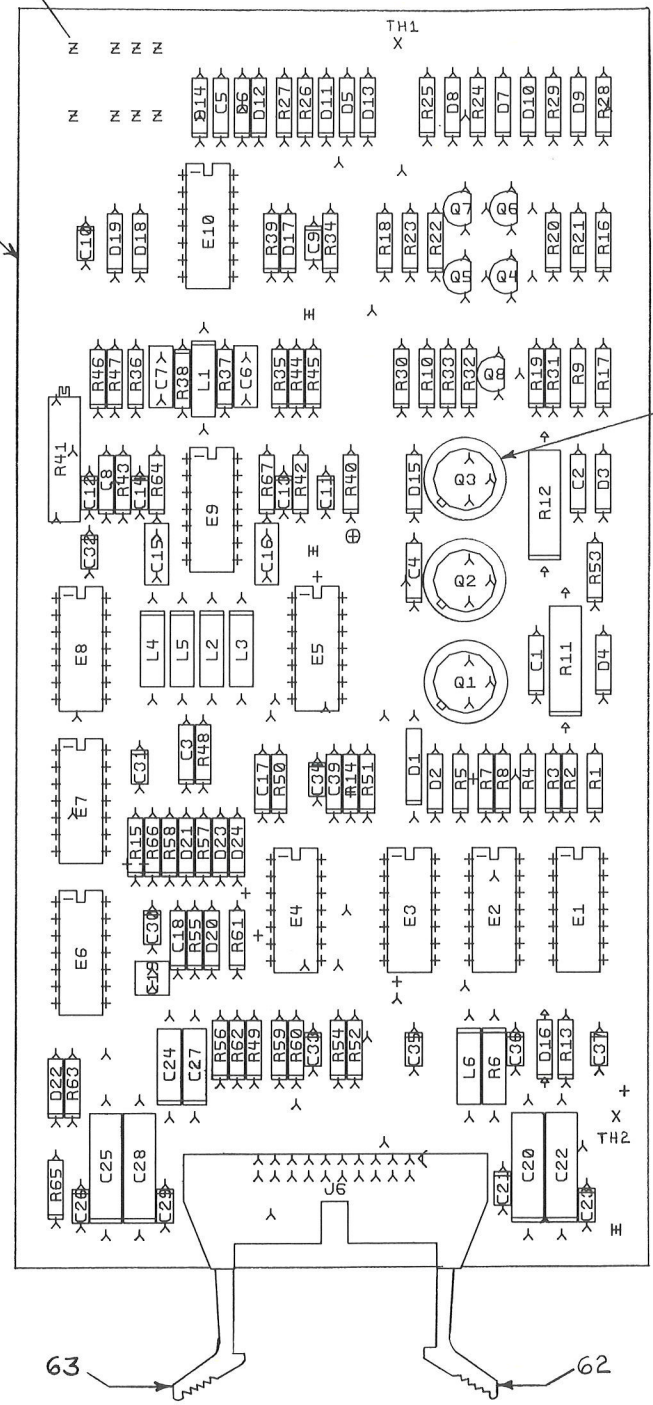
INSERTION PARTS LIST DATA BASE REV

REV. J

THIS DRAWING AND SPECIFICATIONS, HEREIN, ARE THE PROPERTY OF DIGITAL EQUIPMENT CORPORATION AND SHALL NOT BE REPRODUCED OR COPIED OR USED IN WHOLE OR IN PART AS THE BASIS FOR THE MANUFACTURE OR SALE OF ITEMS WITHOUT WRITTEN PERMISSION.
 COPYRIGHT © 1971 DIGITAL EQUIPMENT CORPORATION

COMPONENT SIDE VIEW

64 MOUNT ON SIDE 2, 8 PLCS



NOTES:
 1. 8 HOLES .0465 [+0.000-.0045] MAYNARD ONLY
 2. DIGITAL LOGO TO BE PLACED MANUALLY

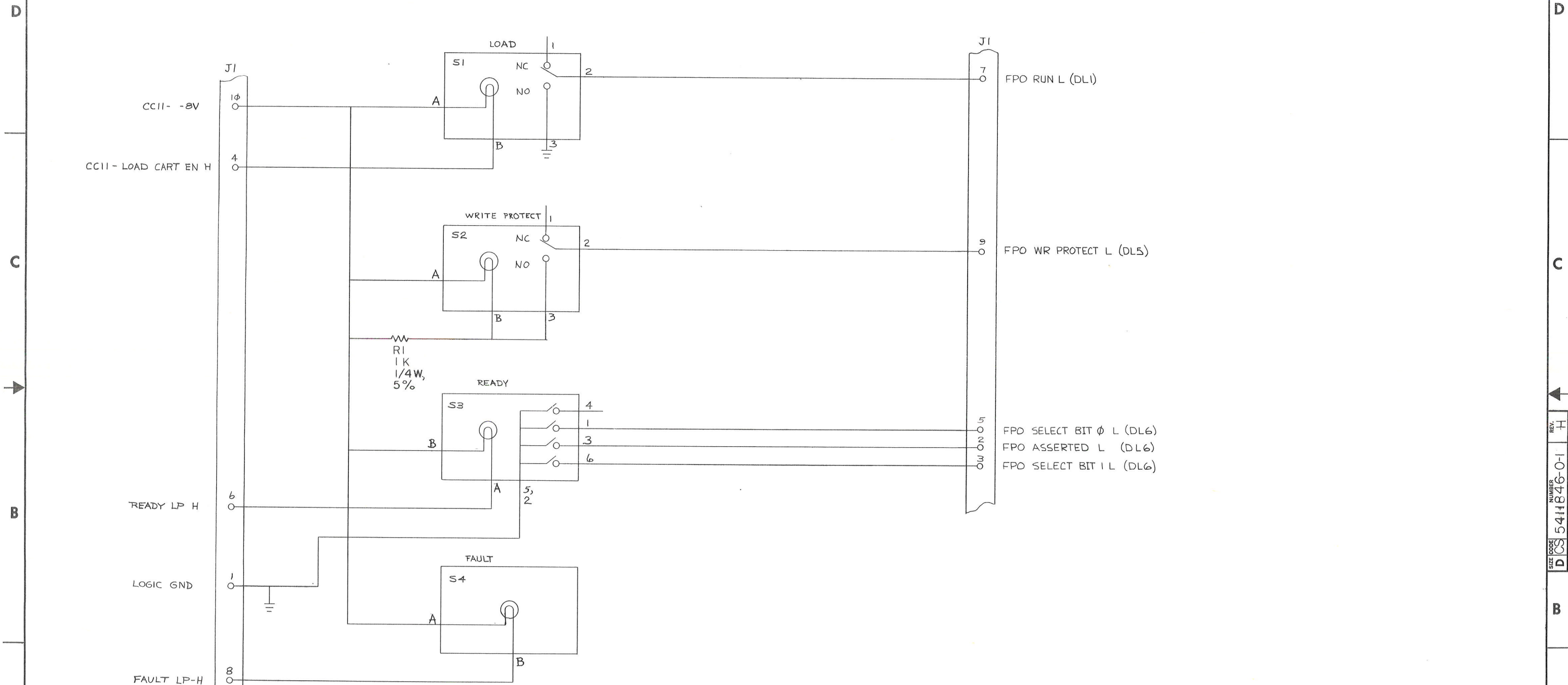
CHK CHANGE NO	REV	DATE	BY
5411844-0	3	11-11-78	P. BURNELL
	2	11-11-78	K. REICHENBERG

SYMBOL	HOLE DATA									
	+	λ	X	↑	Z	H	Δ	□	◇	*
FIN HOLE SIZE	.038	.042	.156	.055	.032	.101				
PLATED	X	X	X	X	X	X				
NON PLATED										
QTY.	150	338	2	6	8	3				
○-OFF GRD HLE	1									
DRILL SIZE										
.025 GRID UNLESS INDICATED										

ETCH REV. E-PI
P.C. DESIGN DATA BASE REV. E.L.

SIGNATURES		DATE	digital
DRN. L. PETERSON		11-OCT-77	
CHK'D. <i>Weg</i>		12-10-77	TITLE READ/WRITE BOARD
ENG. <i>C. Thompson</i>		7-28-77	
PROJ. ENG. <i>P. Arnold</i>		7-28-77	
PROD. <i>Bob Kirk/EB</i>		1-11-78	
SCALE 2:1	SIZE CODE	NUMBER	REV
SHT. 1 OF 3	D UA	5411844-0-0	H
NEXT HIGHER ASSY. B-DD-5411844-0			

"THIS DRAWING AND SPECIFICATIONS, HEREIN, ARE THE PROPERTY OF DIGITAL EQUIPMENT CORPORATION AND SHALL NOT BE REPRODUCED OR COPIED OR USED IN WHOLE OR IN PART AS THE BASIS FOR THE MANUFACTURE OR SALE OF ITEMS WITHOUT WRITTEN PERMISSION. COPYRIGHT © 1976, DIGITAL EQUIPMENT CORPORATION"



NOTE:
1. ALL LAMPS ARE 6E-73 TYPE

REV.	CHANGE NO.	REV.
E	5411846-0001	9-24-77
D	Burnell	7-24-77
F	G. REICHENBERG	5411846-C2002
H	G. REICHENBERG	5411846-C2003
	M. ZARICH	Mr. Burnell

DRN. <i>H. Harkins</i>	2754876	FIRST USED ON	digital
CHK'D. <i>B. Burnell</i>	1-11-77	TITLE	FRONT PANEL
ENG. <i>B. Burnell</i>	3-7-77	SIZE	D CS
PROJ. ENG. <i>B. Burnell</i>	3-10-77	NUMBER	5411846-0-1
PROD. <i>B. Burnell</i>	3-9-77	REV.	H
NEXT HIGHER ASSY.		SCALE	
		SHEET	1 OF 1

REV. H
NUMBER 5411846-0-1
SIZE CODE D CS

DIGITAL EQUIPMENT CORPORATION

PARTS LIST

MADE BY STEVE MARLOW
 DATE 7 APRIL 1976
 ENG G. REICHENBERG
 DATE 3-7-77

CHECKED PHYLLIS BURNELL
 DATE 10 January 1977
 PROD
 DATE 3-7-77

SECTION
 ISSUED SECTION

ITEM NO.	DRAWING NO.	PART NO.	DESCRIPTION
1	D-MD-5011845-0-0	5011845	ETCH BOARD
2		1209941-05	CONNECTOR, 10 PIN BERG
3		1209941-04	CONNECTOR LATCH - LEFT
4		1209941-03	CONNECTOR LATCH - RIGHT
5		1212690-01	SWITCH, DRIVE SELECT
6		1212691-00	SWITCH CAP, DRIVE SELECT UNIT 0
7		1212714-05	SWITCH CAP, LOAD
8		1212714-01	SWITCH CAP, WRITE PROTECT
9		1212714-02	SWITCH CAP, FAULT
10		1212715-01	INDICATOR, FAULT
11		1212717-01	SWITCH, PB MAINTAINED
12		1212716-01	BULB, 14V
13		1213188-01	SWITCH MOUNTING BRACKET, 4 POS.
14		1300365	RESISTOR, 1K, 1/4W, 5%
15		9006732	EYELET, GS4-7
16		9107560-01	RUS WIRE, JUMPER
17		9006655	WASHER

ECO. NO. 001
 REICHENBERG
 BURNELL

THIS DRAWING AND SPECIFICATIONS. HEREIN, ARE THE PROPERTY OF DIGITAL EQUIPMENT CORPORATION AND SHALL NOT BE REPRODUCED OR COPIED OR USED IN WHOLE OR IN PART AS THE BASIS FOR THE MANUFACTURE OR SALE OF ITEMS WITHOUT WRITTEN PERMISSION. COPYRIGHT © 1977, DIGITAL EQUIPMENT CORPORATION.

EN 01140A-16 (R276) (25)

DRB 125

TITLE
 FRONT PANEL

ASSY NO.
 D-UA-5411846-0-0

SHEET 1 OF 1

SIZE CODE
 B PL

NUMBER
 5411846-0-0

REV.
 E

NOTES:

QUANTITY / VARIATION

ITEM NO.	QUANTITY	VARIATION	REF DESIGNATION
1	1		J1
2	1		S3
3	1		S3
4	1		S1
5	1		S2
6	1		S4
7	1		S4
8	1		S1, S2
9	1		RL
10	2		W1, W2
11	4		
12	1		
13	1		
14	1		
15	2		
16	2		
17	2		

DIGITAL EQUIPMENT CORPORATION
 PARTS LIST

MADE BY S. MARLOW
 DATE 7 APR 76
 ENG G. REICHENBERG
 DATE 7 MAR 77

CHECKED P. BURNELL
 DATE 10 JAN 77
 PROD L. KIRK
 DATE 9 MAR 77

SECTION
 ISSUED SECTION

ITEM NO.	DRAWING NO.	PART NO.	DESCRIPTION
1	D-MD-5011845-0-0	5011845	ETCH BOARD
2		1209941-05	CONN., 10 PIN BERG
3		1209941-04	CONN., LATCH-LEFT
4		1209941-03	CONN., LATCH-RIGHT
5		1212690-02	SWITCH, UNIT SELECT
6		1212691-00	SWITCH CAP., DRIVE SELECT UNIT 0
7		1212714-05	SWITCH CAP., LOAD
8		1212714-01	SWITCH CAP., WRITE PROTECT
9		1212714-02	SWITCH CAP., FAULT
10		1212716-02	INDICATOR, FAULT DISPLAY
11		1212717-05	SWITCH, PB
12		1212716-01	BULB, 14V
13		1213188-01	SWITCH MOUNTING BRACKET, 4 POS.
14		1300365	RES., 1K, 1/4W, 5%
15		9006732	EYELET, GS4-7
16		9107560-01	RUS WIRE, JUMPER
17		9006655	WASHER

ECO. NO. 001
 REICHENBERG
 BURNELL

THIS DRAWING AND SPECIFICATIONS. HEREIN, ARE THE PROPERTY OF DIGITAL EQUIPMENT CORPORATION AND SHALL NOT BE REPRODUCED OR COPIED OR USED IN WHOLE OR IN PART AS THE BASIS FOR THE MANUFACTURE OR SALE OF ITEMS WITHOUT WRITTEN PERMISSION. COPYRIGHT © 1977, DIGITAL EQUIPMENT CORPORATION.

DRB 125

TITLE
 FRONT PANEL

ASSY NO.
 D-UA-5411846-0-0

SHEET 1 OF 1

SIZE CODE
 B PL

NUMBER
 5411846-0-0

REV.
 F

NOTES:

QUANTITY / VARIATION

ITEM NO.	QUANTITY	VARIATION	REF DESIGNATION
1	1		J1
2	1		S3
3	1		S3
4	1		S1
5	1		S2
6	1		S4
7	1		S4
8	1		S1, S2
9	1		RI
10	2		W1, W2
11	1		
12	1		
13	1		
14	1		
15	1		
16	2		
17	2		

8

7

6

5

4

3

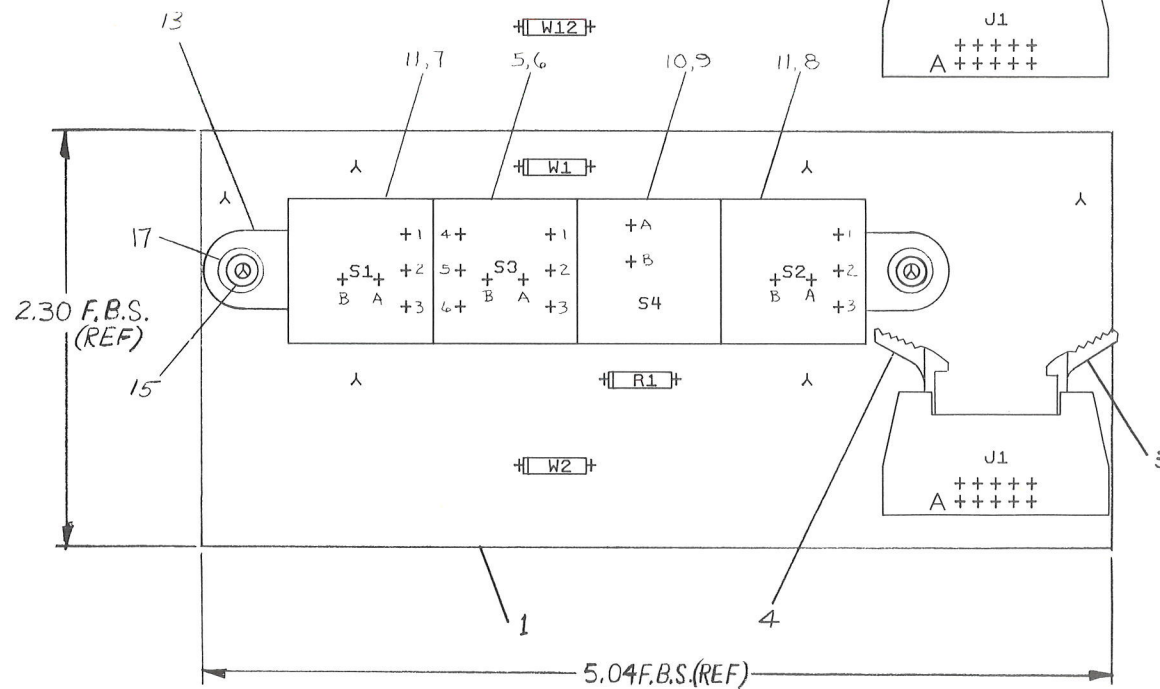
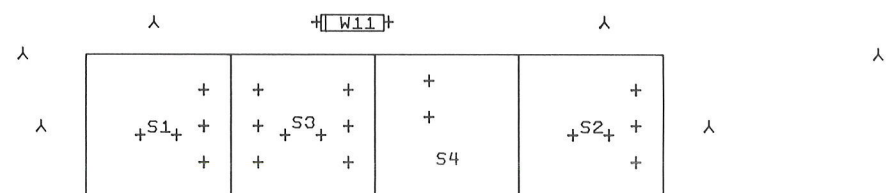
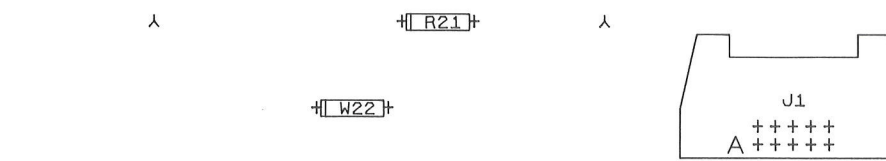
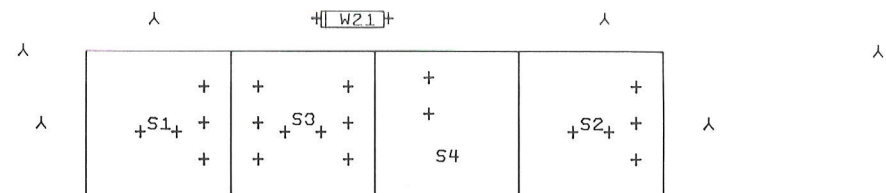
DUA 5411846-0-0

2

1

THIS DRAWING AND SPECIFICATIONS, HEREIN, ARE THE PROPERTY OF DIGITAL EQUIPMENT CORPORATION AND SHALL NOT BE REPRODUCED OR COPIED OR USED IN WHOLE OR IN PART AS THE BASIS FOR THE MANUFACTURE OR SALE OF ITEMS WITHOUT WRITTEN PERMISSION.
COPYRIGHT © 1976 DIGITAL EQUIPMENT CORPORATION

COMPONENT SIDE VIEW



NOTES:

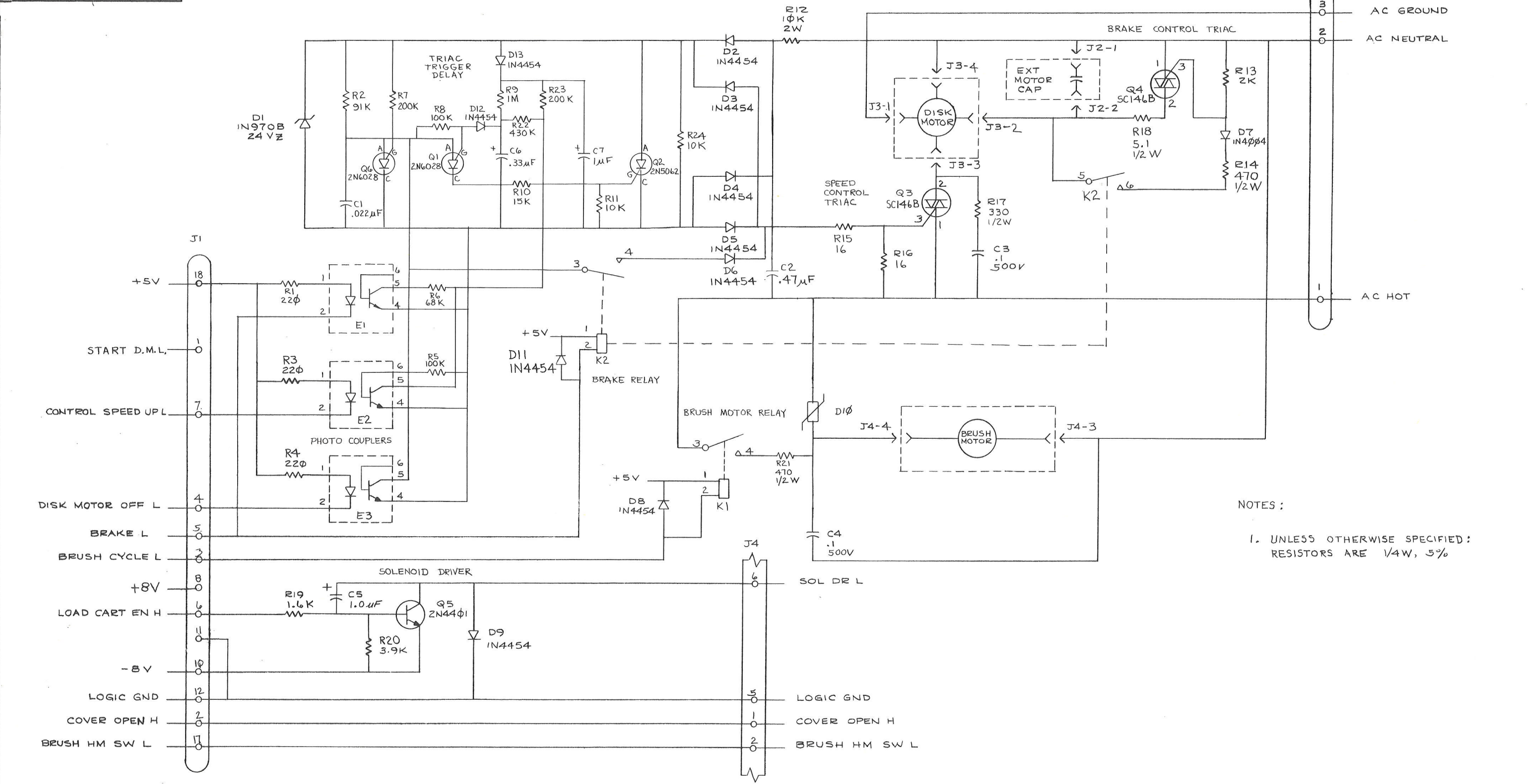
- 1. ALL MANUFACTURING INFORMATION, DATE CODE, CIRCUIT SCHEMATIC REV, QUALITY CONTROL STAMPS, ETC. ARE TO BE STAMPED ON ETCH SIDE (SIDE 2) OF MODULE.

CHG	NO	REV	DATE	BY	APP
2	5411846-0-0	E			
1	5411846-0-0	F			

ETCH REV. D	P.C. DESIGN DATA BASE REV. D
-------------	------------------------------

SIGNATURES	DATE	TITLE
DRN. M. Riley	11/5/76	digital
CHK'D. B. Burnell	1-11-77	
ENG. J. ...	3/1/77	
PROJ. ENG. P. ...	3/1/77	FRONT PANEL
SCALE 2/1	SHT. 1 OF 2	SIZE CODE D UA
NEXT HIGHER ASSY. B-DD-5411846-0	NUMBER 5411846-0-0	REV F

"THIS DRAWING AND SPECIFICATIONS, HEREIN, ARE THE PROPERTY OF DIGITAL EQUIPMENT CORPORATION AND SHALL NOT BE REPRODUCED OR COPIED OR USED IN WHOLE OR IN PART AS THE BASIS FOR THE MANUFACTURE OR SALE OF ITEMS WITHOUT WRITTEN PERMISSION. COPYRIGHT © 1976, DIGITAL EQUIPMENT CORPORATION"



NOTES:
1. UNLESS OTHERWISE SPECIFIED:
RESISTORS ARE 1/4W, 5%

REV.	CHANGE NO.	DESCRIPTION
1		RELEASSED AT REV C EQUAL TO C1 PLUS FIELD SERVICE ANNOTATION
2		PHYLIS BURNELL
3		G. REICHENBERG
4		5411848-CX002
5		P. BURNELL
6		
7		
8		

DRN. <i>W. J. [unclear]</i> 8/16/76	FIRST USED ON	digital
CHK'D <i>P. Burnell</i> 1-14-77	RLO1	
ENG. <i>P. Burnell</i> 6-8-77	TITLE	AC SERVO
PROJ. ENG. <i>W. J. [unclear]</i> 6/7/77		
PROD. <i>P. [unclear]</i> 4/7/77		
NEXT HIGHER ASSY.		
D-UA-5411848-0-0	SIZE	CODE
SCALE <i>+</i>	D	CS
SHEET 1 OF 1	DIST.	

REV. E 5411848-0-1 CS DCS

DIGITAL EQUIPMENT CORPORATION

PARTS LIST

MADE BY H. RICHER
 DATE 23 March 1976
 ENG PH
 DATE 6/7/77
 CHECKED PHYLLIS BURNELL
 DATE 10 January 1977
 PROD
 DATE 6/7/77
 SECTION
 ISSUED SECTION

ITEM NO.	DRAWING NO.	PART NO.	DESCRIPTION	QUANTITY / VARIATION		NOTES:
				5411848-0-0		
1	D-ID-5011847-0-0	5011847	ETCH BOARD	1		USED ON OPTION/NO.003, R101 REF DESIGNATION C1 C2 C3, C4 C5, C7 D1 D2, D3, D4, D5, D6, D8, D9, D11, D12, D13 D7 E1, E2, E3 K2 K1 D10 J1 J2 J5 J3 J4 R14, R21 R1, 3, R4 R18 R6 R8, R5 R20 R7, R23 R10 R11, R24 R12 R15, R16
2		1011683-00	CAPACITOR .022uf 50V CER	1		
3		1012312-01	CAPACITOR .47uf 50V CER	1		
4		1013682-00	CAPACITOR .1uf 500V CER	2		
5		1001776-00	CAPACITOR 1.0uf 35V S.TANT	2		
6		1110856-00	DIODE 1N970B	1		
7		1111577-00	DIODE 1N4454	10		
8		1105796-00	DIODE 1N4004	1		
9		1510727-01	IC, (OPTICAL ISOLATOR)	3		
10		1213917-00	RELAY, DPDT, CASE B3	1		
11		1213915-00	RELAY, SPDT, CASE B1	1		
12		1110997-00	VARIABLE 130V	1		
13		1209941-06	CONNECTOR 20 PIN BERG	1		
14		1213922-00	CONNECTOR 2 PIN	1		
15		1213922-01	CONNECTOR 3 PIN	1		
16		1213922-03	CONNECTOR 4 PIN	1		
17		1213922-04	CONNECTOR 6 PIN	1		
18		1300315-00	RESISTOR 470 OHM 1/2W 5% CC	2		
19		1300271-00	RESISTOR 220 OHM 1/4W 5% CC	3		
20		1311220-00	RESISTOR 5.1 OHM 1/2W 5% CC	1		
21		1301327-00	RESISTOR 68K 1/4W 5% CC	1		
22		1302466-00	RESISTOR 100K 1/4W 5% CC	2		
23		1300444-00	RESISTOR 3.9K 1/4W 5% CC	1		
24		1314516-00	RESISTOR 200K 1/4W 5% CC	2		
25		1300496-00	RESISTOR 15K 1/4W 5% CC	1		
26		1300479-00	RESISTOR 10K 1/4W 5% CC	2		
27		1300482-00	RESISTOR 10K 2W 10% CC	1		
28		1312927-00	RESISTOR 16 OHM 1/4W 5% CC	2		

ECO. NO.
 RELEASED
 EQUAL TO
 REV G
 R1 PLUS
 S.S. M-1
 OPTIM ON
 REWORKED
 PH
 SHI848
 COO
 REV E

THIS DRAWING AND SPECIFICATIONS HEREIN ARE THE PROPERTY OF DIGITAL EQUIPMENT CORPORATION AND SHALL NOT BE REPRODUCED OR COPIED OR USED IN WHOLE OR IN PART AS THE BASIS FOR THE MANUFACTURE OR SALE OF ITEMS WITHOUT WRITTEN PERMISSION. COPYRIGHT © 1977 . DIGITAL EQUIPMENT CORPORATION

EN 01140A-16-R276(325)

DRB 125

AC SERVO

ASSY NO.
 D-UA-5411848-0-0

SIZE CODE
 B PL

NUMBER
 5411848-0-0

REV.
 E

SHEET 1 OF 2

INSERTION PARTS LIST DATA BASE REV A

DIGITAL EQUIPMENT CORPORATION

PARTS LIST

MADE BY H. RICHER
 DATE 23 March 1976
 ENG PH
 DATE 6/7/77
 CHECKED PHYLLIS BURNELL
 DATE 10 January 1977
 PROD
 DATE 6/7/77
 SECTION
 ISSUED SECTION

ITEM NO.	DRAWING NO.	PART NO.	DESCRIPTION	QUANTITY / VARIATION		NOTES:
				5411848-0-0		
29		1314649-00	RESISTOR, 430K, 1/4W, 5%, CC	1		USED ON OPTION/MODEL R101 REF DESIGNATION R22 R17 R13 R9 R19 J1 J1 Q1, Q6 Q2 Q3, Q4 Q5 Q3, Q4 Q3, Q4 Q3, Q4 C6 R2
30		1300298-00	RESISTOR 330OHM 1/2W 5% CC	1		
31		1302388-00	RESISTOR 2K 1/4W 5% CC	1		
32		1309595-00	RESISTOR 1 M 1/4W 5% CC	1		
33		1303176-00	RESISTOR 1.6K 1/4W 5% CC	1		
34		1209941-03	LATCH, CONNECTOR, LEFT	1		
35		1209941-04	LATCH, CONNECTOR, RIGHT	1		
36		1510877-00	UJT, 2N6028	2		
37		1110968-00	TRANSISTOR, 2N5062 (SCR)	1		
38		1513698-00	TRANSISTOR, SC146B (TRIAC)	2		
39		1513489-00	TRANSISTOR, 2N4401	1		
40		9006557-00	KEPNUT #4-40	2		
41		9006010-01	SCREW, PPH #4-40 X 5/16"	2		
42		9006655-00	FLAT WASHER .312" O.D. X .125" I.D.	2		
43						
44		1000002-04	CAPACITOR, .33uf, 35V, TANT	1		
45		1314650-00	RESISTOR, 91K, 1/4W 5% CC	1		

ECO. NO.

THIS DRAWING AND SPECIFICATIONS HEREIN ARE THE PROPERTY OF DIGITAL EQUIPMENT CORPORATION AND SHALL NOT BE REPRODUCED OR COPIED OR USED IN WHOLE OR IN PART AS THE BASIS FOR THE MANUFACTURE OR SALE OF ITEMS WITHOUT WRITTEN PERMISSION. COPYRIGHT © 1977 . DIGITAL EQUIPMENT CORPORATION

EN 01140A-16-R276(325)

DRB 125

AC SERVO

ASSY NO.
 D-UA-5411848-0-0

SIZE CODE
 B PL

NUMBER
 5411848-0-0

REV.
 E

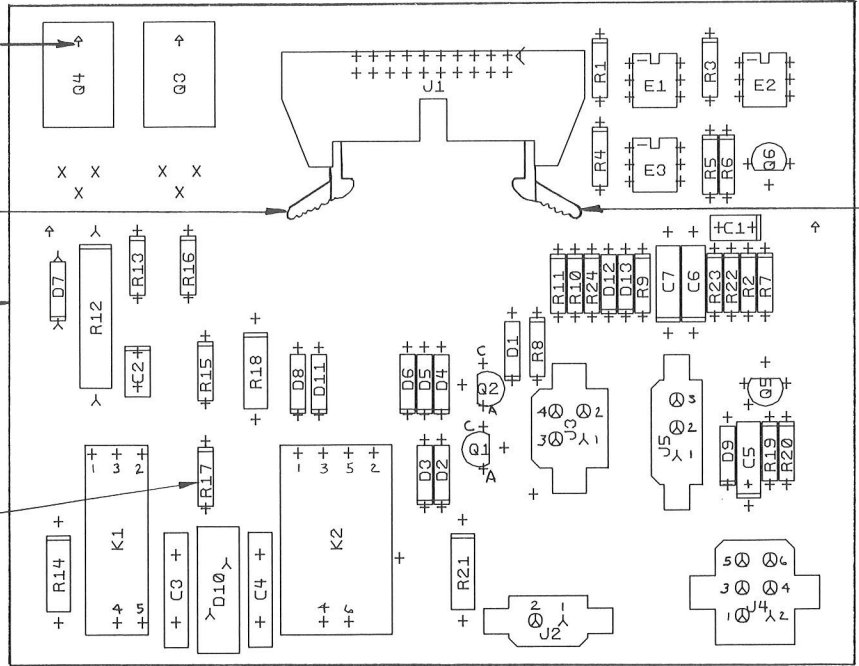
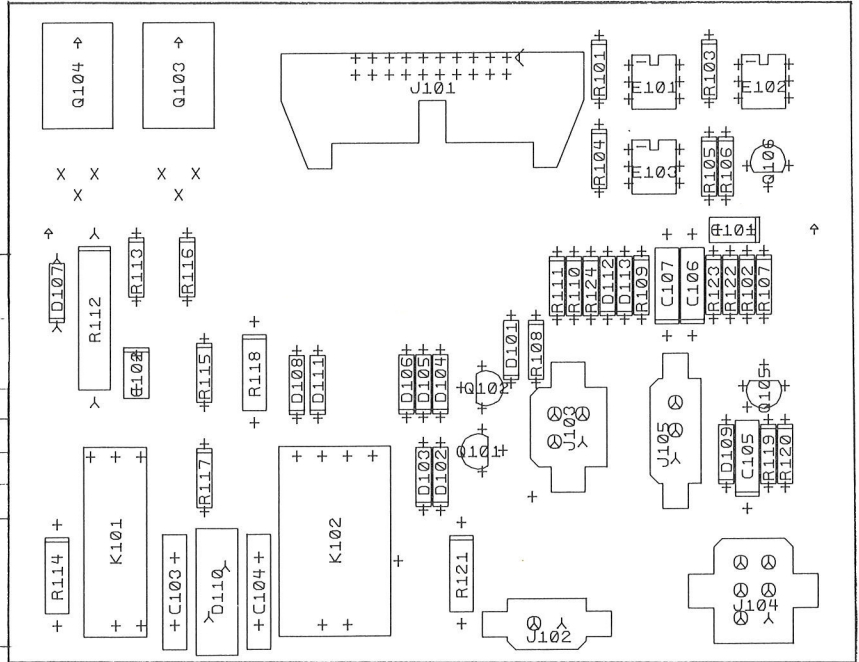
SHEET 2 OF 2

INSERTION PARTS LIST DATA BASE REV

THIS DRAWING AND SPECIFICATIONS, HEREIN, ARE THE PROPERTY OF DIGITAL EQUIPMENT CORPORATION AND SHALL NOT BE REPRODUCED OR COPIED OR USED IN WHOLE OR IN PART AS THE BASIS FOR THE MANUFACTURE OR SALE OF ITEMS WITHOUT WRITTEN PERMISSION. DIGITAL EQUIPMENT CORPORATION
 COPYRIGHT © 1977

COMPONENT SIDE VIEW

ACTUAL REF DESIGNATORS	SUPERFICIAL REF DESIGNATORS
C1,C2,C3,C4,C5,C6,C7	C101,C102,C103,C104,C105,C106,C107
D1,D2,D3,D4,D5,D6,D7,D8,D9,D10 D11,D12,D13	D101,D102,D103,D104,D105,D106,D107,D108,D109,D110,D111,D112, D113
E1,E2,E3	E101,E102,E103
K1,K2,K3	K101,K102,K103
J1,J2,J3,J4,J5	J101,J102,J103,J104,J105
Q1,Q2,Q3,Q4,Q5,Q6	Q101,Q102,Q103,Q104,Q105,Q106
R1,R2,R3,R4,R5,R6,R7,R8,R9,R10 R11,R12,R13,R14,R15,R16,R17,R18,R19, R20,R21,R22	R101,R102,R103,R104,R105,R106,R107,R108,R109,R110,R111,R112, R113,R114,R115,R116,R117,R118,R119,R120,R121,R122



40, 41, 42 —

34 —

1 —

SEE NOTE 3

NOTES:

1. B HOLES .04x.5 (+.000-.0045) MAYNARD ONLY
2. U/L APPROVAL REQUIRED
3. REWORK INSTRUCTIONS:
 1. REMOVE R17 (330Ω, 1/4W, 5%)
 2. INSTALL R17 (330Ω, 1/2W, 5%)

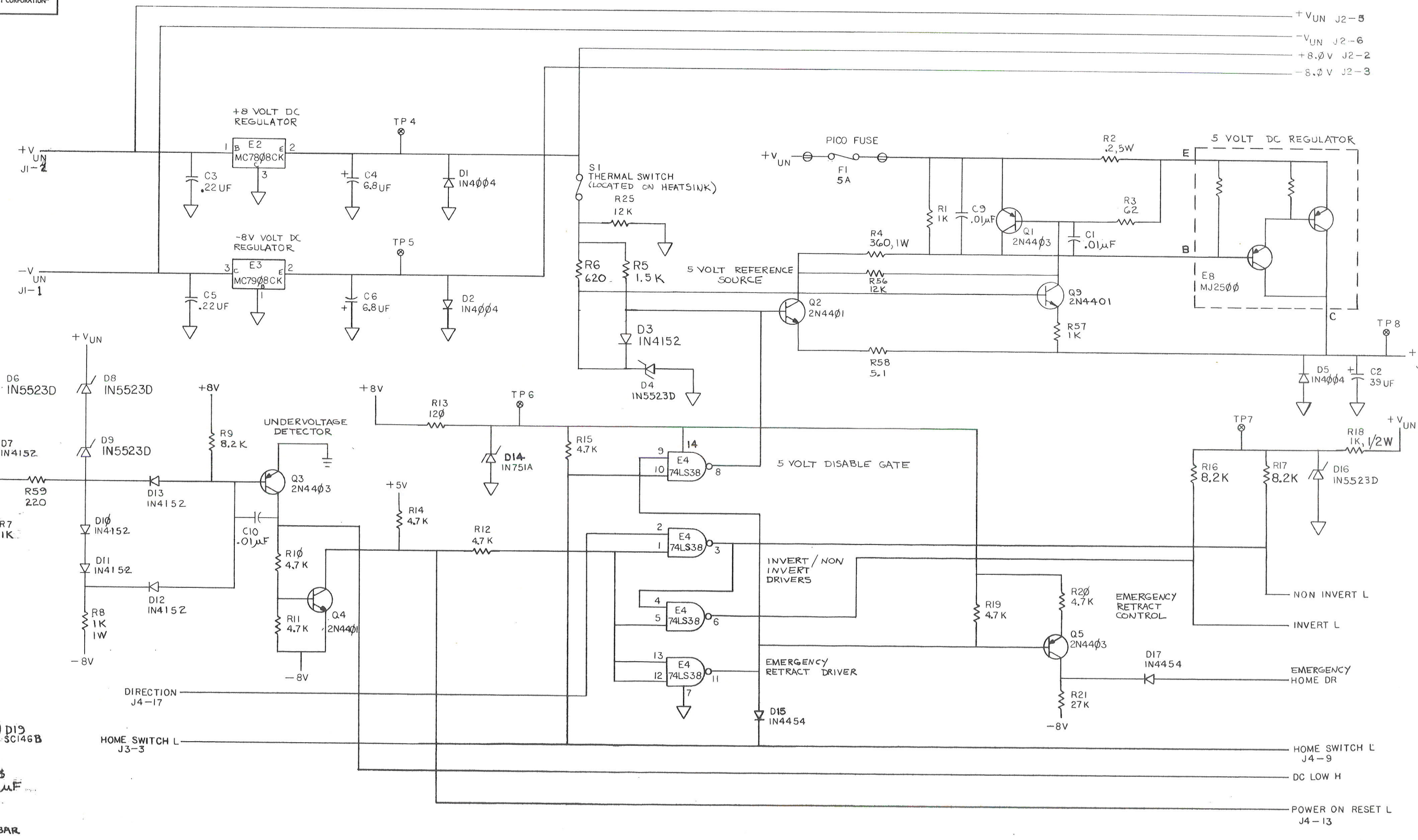
CHG	NO	REV	DESCRIPTION	DATE
3	5411848-0001	D	P. BURNELL	
			G. REICHENBERG	
			R. S. STEELE	
			P. BURNELL	

ETCH REV.	E-P2
P.C. DESIGN DATA BASE REV.	F-P2

SIGNATURES	DATE
<i>[Signature]</i>	
<i>[Signature]</i>	
<i>[Signature]</i>	26 Sept 77
<i>[Signature]</i>	24 Sept 77

digital		
TITLE	AC SERVO	
SIZE CODE	NUMBER	REV
D UA	5411848-0-0	E

"THIS DRAWING AND SPECIFICATIONS, HEREIN, ARE THE PROPERTY OF DIGITAL EQUIPMENT CORPORATION AND SHALL NOT BE REPRODUCED OR COPIED OR USED IN WHOLE OR IN PART AS THE BASIS FOR THE MANUFACTURE OR SALE OF ITEMS WITHOUT WRITTEN PERMISSION. COPYRIGHT © 1976 DIGITAL EQUIPMENT CORPORATION"

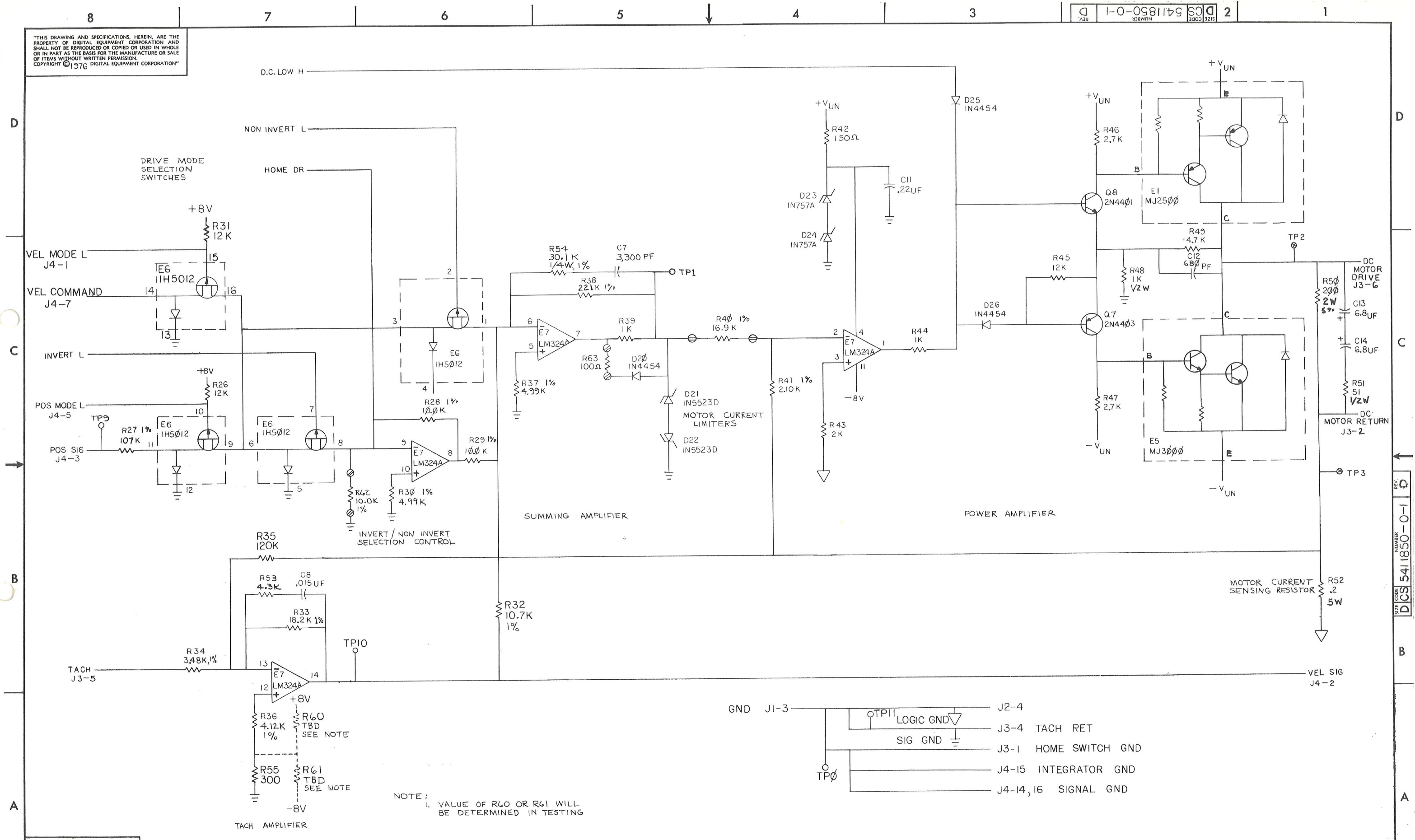


REV.	CHANGE NO.	BY	DATE	DESCRIPTION
B1	PLO 251			REVISED AT
D				REVISED AT
C				REVISED AT
B				REVISED AT
A				REVISED AT

NOTES:
1. ALL RESISTORS TO BE 1/4 W 5%;
UNLESS OTHERWISE SPECIFIED

DRN. E. DeVore	26 Feb 76	FIRST USED ON	digital
CHK'D B. Bunnell	2-1-77	TITLE	DC SERVO AND POWER BOARD
ENG. R. Allen	6-7-77	PROJECT	
PROJ. ENG. J. S. ...	6/1/77	PROD. BY J. S. ...	6/1/77
NEXT HIGHER ASSY.		SIZE CODE	D CS 5411850-0-1
D-VA-5411850-0-0		NUMBER	1
SCALE	1/1	REV.	D
SHEET	1 OF 2	DIST.	

"THIS DRAWING AND SPECIFICATIONS, HEREIN, ARE THE PROPERTY OF DIGITAL EQUIPMENT CORPORATION AND SHALL NOT BE REPRODUCED OR COPIED OR USED IN WHOLE OR IN PART AS THE BASIS FOR THE MANUFACTURE OR SALE OF ITEMS WITHOUT WRITTEN PERMISSION. COPYRIGHT © 1976 DIGITAL EQUIPMENT CORPORATION"



NOTE: 1. VALUE OF R60 OR R61 WILL BE DETERMINED IN TESTING

REVISIONS		
CHK	CHANGE NO.	REV.

TITLE	DC SERVO AND POWER SUPPLY	SIZE CODE	D CS	NUMBER	5411850-0-1	REV.	1
SCALE	//	SHEET	2 OF 2	DIST.			

DIGITAL EQUIPMENT CORPORATION

PARTS LIST

MADE BY SCOTT STEVENS
 DATE 10 Jun 76
 ENG *[Signature]*
 DATE 6/7/77

CHECKED *E. Y. Bunnell*
 DATE 2-9-77
 PROD *[Signature]*
 DATE 6/7/77

ISSUED SECTION

DESCRIPTION

PART NO.

DRAWING NO.

ITEM NO.	DRAWING NO.	PART NO.	DESCRIPTION	QUANTITY / VARIATION	REF DESIGNATION
1	D-MD-5011850-0-0	5011849	ETCHED BOARD	5411850-0-0	
2		1013466-08	CAPACITOR, 680 pF, 10%, 50V, Cer.Ax.	1	C12
3		1002423-00	CAPACITOR, 3,300 pF, 10%, 50V, Mica	1	C7
4		1001610-00	CAPACITOR, .01 uF, 10%, 50V, Cer.	4	C1, C9, C10, C15
5		1002630-00	CAPACITOR, .015 uF, 10%, 100V, Mylar	1	C8
6		1013466-11	CAPACITOR, .22 uF, 50V, Cer. Ax.	3	C3, C5, C11
7		1005306-00	CAPACITOR, 6.8 uF, 35V, Tant	4	C4, C6, C13, C14
8		1000076-00	CAPACITOR, 39 uF, 10V, Tant	1	C2
9		1309422-00	RESISTOR, 5.1 OHM, 1/4 W 5% CC	1	R58
10		1312929-00	RESISTOR, 62 OHM, 1/4 W 5% CC	2	R3, R23
11		1311523-00	RESISTOR, 110 OHM, 1/4 W 5% CC	1	R22
12		1300247-00	RESISTOR, 120 OHM, 1/4 W 5% CC	1	RL3
13		1300271-00	RESISTOR, 220 OHM, 1/4 W 5% CC	1	R59
14		1301425-00	RESISTOR, 300 OHM, 1/4 W 5% CC	1	R5E
15		1303178-00	RESISTOR, 620 OHM, 1/4 W 5% CC	1	R6
16		1300365-00	RESISTOR, 1K, 1/4 W 5% CC	5	RL, R7, R44, R57, R39
17		1300391-00	RESISTOR, 1.5K, 1/4 W 5% CC	1	R5
18		1302388-00	RESISTOR, 2K, 1/4 W 5% CC	1	R43
19		1300426-00	RESISTOR, 2.7K, 1/4 W 5% CC	2	R46, R47
20					
21		1302389-00	RESISTOR, 4.3K, 1/4 W 5% CC	1	R53
22		1300447-00	RESISTOR, 4.7K, 1/4 W 5% CC	9	RL0, RL1, RL2, RL4, RL5, RL9, R20, R24, R49
23		1303179-00	RESISTOR, 8.2K, 1/4 W 5% CC	3	R9, RL6, RL7
24		1300488-00	RESISTOR, 12K, 1/4 W 5% CC	5	R25, R26, R31, R45, R56
25		1305346-00	RESISTOR, 27K, 1/4 W 5% CC	1	R21
26		1300539-00	RESISTOR, 120K, 1/4 W 5% CC	1	R35
27		1312923-00	RESISTOR, 2.10K, 1/4 W 1% MF	1	R41
28		1305114-00	RESISTOR, 3.48K, 1/4 W 1% MF	1	R34

PC0251
 RELEASED
 47 B
 EQUAL 81
 PERIODIC
 BURNELL
 HELCHENBERG

THIS DRAWING AND SPECIFICATIONS, HEREIN, ARE THE PROPERTY OF DIGITAL EQUIPMENT CORPORATION AND SHALL NOT BE REPRODUCED OR COPIED OR USED IN WHOLE OR IN PART AS THE BASIS FOR THE MANUFACTURE OR SALE OF ITEMS WITHOUT WRITTEN PERMISSION. COPYRIGHT © 1977 . DIGITAL EQUIPMENT CORPORATION

DC SERVO AND POWER BOARD
 ASSY NO. D-UA-5411850-0-0
 SHEET 1 OF 3

SIZE CODE NUMBER
 B PL 5411850-0-0
 INSERTION PARTS LIST DATA BASE REV
 REV. D

QUANTITY / VARIATION

NOTES:

1. R60 + R61 not included on PL. Value will be determined in testing.

REF DESIGNATION

DIGITAL EQUIPMENT CORPORATION

PARTS LIST

MADE BY SCOTT STEVENS
 DATE 10 Jun 77
 ENG *[Signature]*
 DATE 6/7/77

CHECKED *E. Y. Bunnell*
 DATE 2-9-77
 PROD *[Signature]*
 DATE 6/7/77

ISSUED SECTION

DESCRIPTION

PART NO.

DRAWING NO.

ITEM NO.	DRAWING NO.	PART NO.	DESCRIPTION	QUANTITY / VARIATION	REF DESIGNATION
29		1314763-00	RESISTOR, 4.12K, 1/4 W 1% MF	1	R36
30		1303312-00	RESISTOR, 10.0K, 1/4 W 1% MF	3	R28, R29, R62
31		1312924-00	RESISTOR, 10.7K, 1/4 W 1% MF	1	R32
32		1309412-00	RESISTOR, 18.2K, 1/4 W 1% MF	1	R33
33		1311594-00	RESISTOR, 30.1K, 1/4 W 1% MF	1	R54
34		1313843-00	RESISTOR, 107K, 1/4 W 1% MF	1	R27
35		1313844-00	RESISTOR, 221K, 1/4 W 1% MF	1	R38
36		1302378-00	RESISTOR, 51 OHM, 1/2 W 5% CC	1	R51
37		1300364-00	RESISTOR, 1K, 1/2 W 5% CC	2	RL8, R48
38		1314068-00	RESISTOR, 360 OHM, 1 W 5% CC	1	R4
39		1300368-00	RESISTOR, 1K, 1 W 5% CC	1	R8
40		1301494-00	RESISTOR, 200 OHM, 2 W 5% CC	1	R50
41		1313358-00	RESISTOR, .2 OHM, 5 W 3% CC	2	R2, R52
42		1105796-00	DIODE, 1N4004, (D041)	3	D1, D2, D5
43		1113953-00	DIODE, 1N5239, (D07)	8	D4, D6, D8, D9, D18, D16, D21, D22
44		1109990-00	DIODE, 1N757A, (D07)	2	D23, D24
45		1110994-00	DIODE, 1N751A, (D07)	1	D14
46		1114117-00	DIODE, 1N4152, (D035)	6	D3, D7, D10, D11, D12, D13
47		1111577-00	DIODE, 1N4454, (D035)	5	D15, D17, D20, D25, D26
48		1513698-00	TRIAC, SCL46B	1	D19
49		9009597-00	INSULATING WASHER, TRIAC	1	(D19)
50		1513489-00	TRANSISTOR, 2N4401, (T092)	4	Q2, Q4, Q8, Q9
51		1513490-00	TRANSISTOR, 2N4403, (T092)	5	Q1, Q3, Q5, Q6, Q7
52		1511282-00	TRANSISTOR, MJ2500, (T03)	2	E1, E8
53		1511349-00	TRANSISTOR, MJ3000, (T03)	1	E5
54		1911706-00	FET ANALOG SWITCH, IH5012, (16 PIN)	1	E6
55		1912818-00	IC, DEC, 74LS38, (14 PIN)	1	E4
56		1912107-01	OP AMP, LM324 AN (14 PIN)	1	E7

NOTES:

QUANTITY / VARIATION

5411850-0-0

REF DESIGNATION

ISSUED SECTION

THIS DRAWING AND SPECIFICATIONS, HEREIN, ARE THE PROPERTY OF DIGITAL EQUIPMENT CORPORATION AND SHALL NOT BE REPRODUCED OR COPIED OR USED IN WHOLE OR IN PART AS THE BASIS FOR THE MANUFACTURE OR SALE OF ITEMS WITHOUT WRITTEN PERMISSION. COPYRIGHT © 1977 . DIGITAL EQUIPMENT CORPORATION

DC SERVO AND POWER BOARD
 ASSY NO. D-UA-5411850-0-0
 SHEET 2 OF 3

SIZE CODE NUMBER
 B PL 5411850-0-0
 INSERTION PARTS LIST DATA BASE REV
 REV. D

DIGITAL EQUIPMENT CORPORATION

PARTS LIST

MADE BY SCOTT STEVENS
 DATE 10 Jun 76
 ENG *MS*
 DATE *6/7/77*

CHECKED *Y. Bunnell*
 DATE 2-9-77
 PROD
 DATE *1/15/77* 6-7-77
 ISSUED SECTION

ITEM NO.	DRAWING NO.	PART NO.	DESCRIPTION	QUANTITY / VARIATION										NOTES:	
				5411850-0-0											
57		1913695-00	IC, MC7808CK, (T03)	1											E2
58		1913694-00	IC, MC7908CK, (T03)	1											E3
59		9008419-00	INSULATING WASHER, T03	5											(E1, E2, E3, E5, E8)
60		7418595-00	HEATSINK	1											
61		9008033-01	SCREW, PAN. HD. #4-40, 9/16"	11											(E1, E2, E3, E5, E8, D19)
62		9006557-00	KEPNUT, #4-40	11											(E1, E2, E3, E5, E8, D19)
63		9006655-00	FLAT WASHER, #4	11											(E1, E2, E3, E5, E8, D19)
64		9008268-00	THERMAL COMPOUND	AR											(E1, E2, E3, E5, E8, D19)
65		1210824-00	SWITCH, THERMAL	1											(E1, E2, E3, E5, E8, D19)
66		9008185-00	KEPNUT, #6-32	1											S1
67		9006653-00	FLAT WASHER, #6	1											(S1)
68		1205747-00	FUSE, PICO, 5 AMP	1											(S1)
69		9006735-00	SPLIT LUG	1											F1
70		9007791-00	TERMINAL TURRET, SOLDER	8											(F1, R40, R62, R63)
71		1213922-01	CONNECTOR, AMP, 3 PIN, BLK/TIN	12											TPØ THRU TP11
72		1213922-04	CONNECTOR, AMP, 6 PIN, BLK/TIN	1											J1
73		1213900-00	CONNECTOR, AMP, 6 PIN, BLK/TIN	1											J2
74		1213900-00	CONNECTOR, BUNDY, 6 PIN, BLK/GOLD	1											J3
75		1209941-06	CONNECTOR, BERG, 20 PIN	1											J4
76		1209941-03	LATCH, RIGHT	1											(J4)
77		1209941-04	LATCH, LEFT	1											(J4)
78		1305324-00	RESISTOR, 4.99K, 1/4 W 1% mf	2											R37, R30
79		1300250-00	RESISTOR, 150 OHM, 1/4 W 5% CC	1											R42
80		9105740-55	WIRE 30 AWG	AR											R40
81		1312618-00	RESISTOR, 16.9K, 1/4W, 1%	1											R63
82		1300229-00	RESISTOR, 100Ω, 1/4W, 5%	1											

ECO NO. _____

THIS DRAWING AND SPECIFICATIONS, HEREIN, ARE THE PROPERTY OF DIGITAL EQUIPMENT CORPORATION AND SHALL NOT BE REPRODUCED OR COPIED OR USED IN WHOLE OR IN PART AS THE BASIS FOR THE MANUFACTURE OR SALE OF ITEMS WITHOUT WRITTEN PERMISSION. COPYRIGHT © 1977 DIGITAL EQUIPMENT CORPORATION.

EN01140A-16-R2761(25) DRB 125

ASSY NO. D-UA-5411850-0-0

SHEET 3 OF 3

SIZE CODE B PL

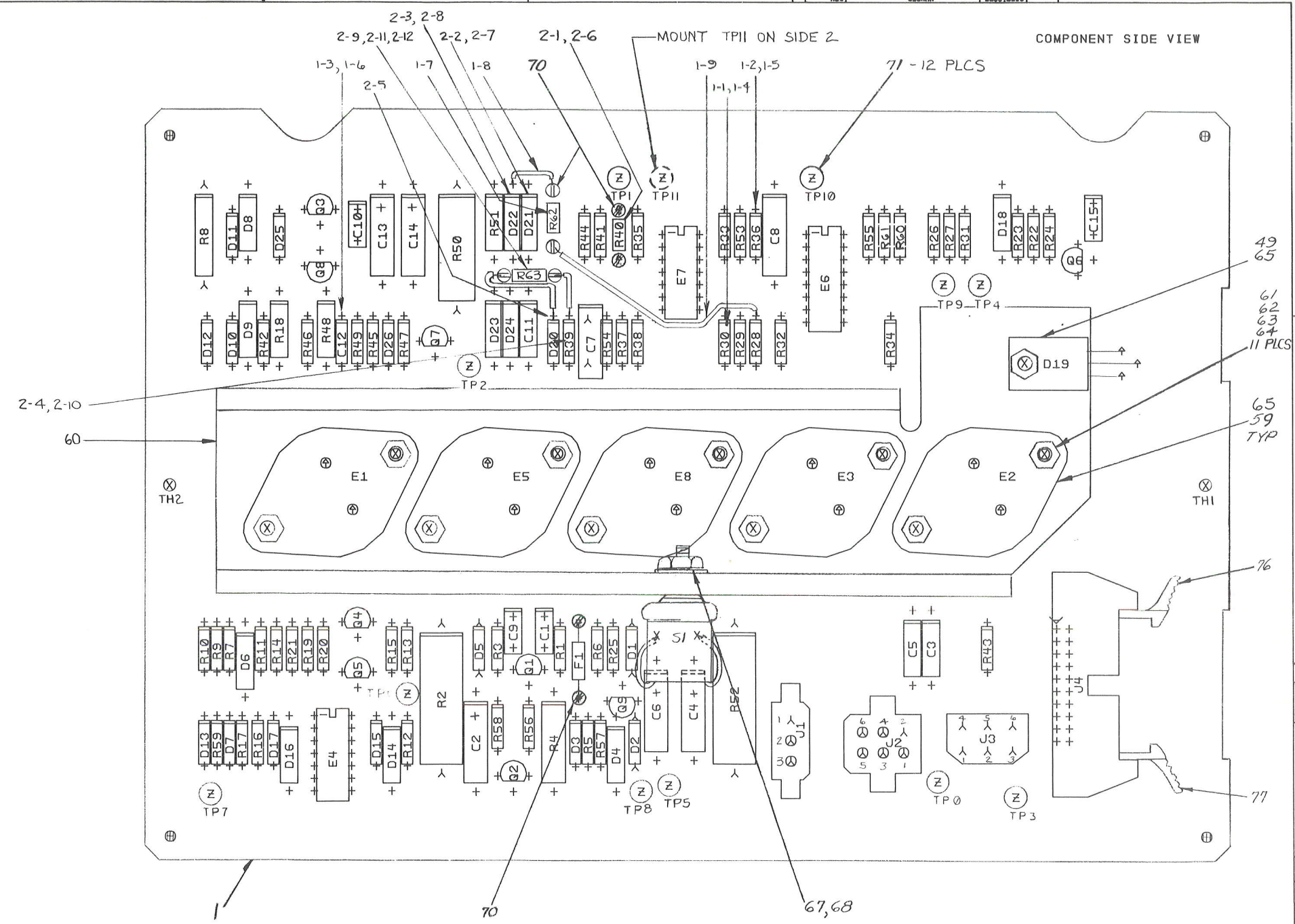
NUMBER 5411850-0-0

REV. D

TITLE DC SERVO AND POWER BOARD

INSERTION PARTS LIST DATA BASE REV

THIS DRAWING AND SPECIFICATIONS, HEREIN, ARE THE PROPERTY OF DIGITAL EQUIPMENT CORPORATION AND SHALL NOT BE REPRODUCED OR COPIED OR USED IN WHOLE OR IN PART AS THE BASIS FOR THE MANUFACTURE OR SALE OF ITEMS WITHOUT WRITTEN PERMISSION.
 COPYRIGHT © 1977 DIGITAL EQUIPMENT CORPORATION



D
 C
 B
 A

D
 C
 B
 A

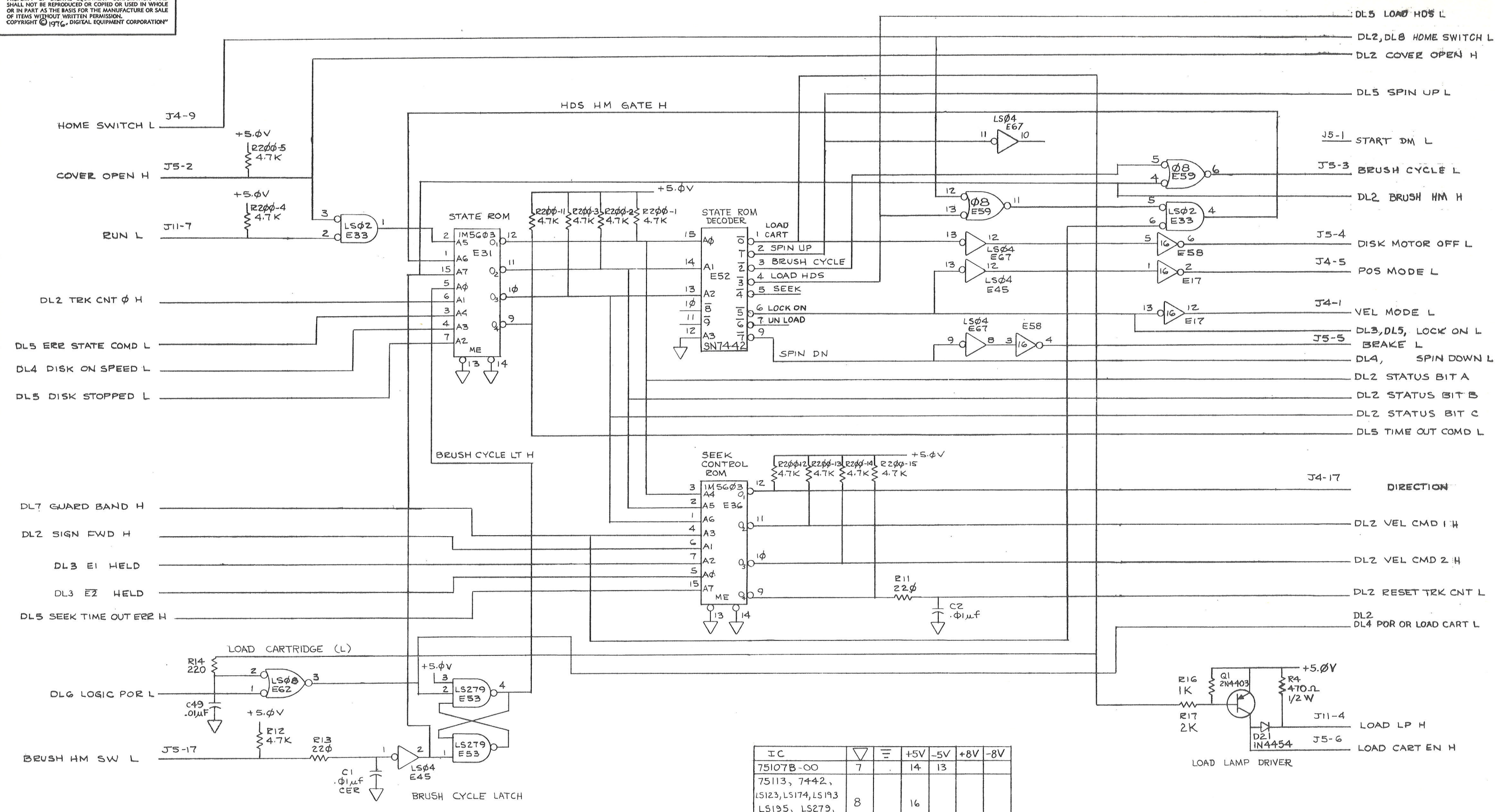
NOTES:

CHK CHANGE NO	REV
18 PCD 251	B1
SAVY RELEASED	B
GD EQUAL B1	C
5411850-0001	
12/17/77	
GAEHENBERG	
5411850-0002	D
12/17/77	
SCHROCK	
12/17/77	
12/17/77	

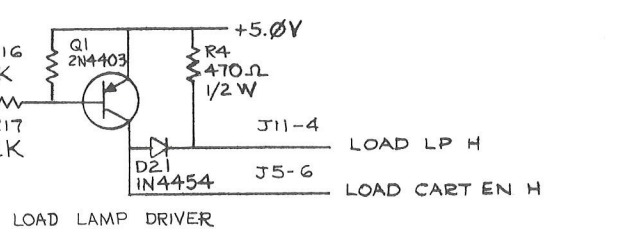
ETCH REV.	C
P.C. DESIGN DATA BASE REV.	CL

SIGNATURES	DATE	digital
DRN. <i>[Signature]</i>	3/1/77	
CHK'D. <i>[Signature]</i>	3-24-77	
ENG. <i>[Signature]</i>	4/1/77	
PROJ. ENG. <i>[Signature]</i>	6/1/77	
PROD. <i>[Signature]</i>	6/1/77	
SCALE 2:1	SHT. 1 OF 4	SIZE CODE NUMBER REV
NEXT HIGHER ASSY. B-DD-5-111850-0		D UA 5411850-0-0 D

"THIS DRAWING AND SPECIFICATIONS, HEREIN, ARE THE PROPERTY OF DIGITAL EQUIPMENT CORPORATION AND SHALL NOT BE REPRODUCED OR COPIED OR USED IN WHOLE OR IN PART AS THE BASIS FOR THE MANUFACTURE OR SALE OF ITEMS WITHOUT WRITTEN PERMISSION. COPYRIGHT © 1976, DIGITAL EQUIPMENT CORPORATION"



IC	Pin 1	Pin 2	+5V	-5V	+8V	-8V
75107B-00	7		14	13		
75113, 7442, LS123, LS174, LS193, LS195, LS279, E31, E36, E63	8		16			
324					4	11
E 43 (ROM)	8		16			
UNSPECIFIED	7		14			
E8 (339)	12				3	
E34 (339)					3	12
E61 (339)		12			3	

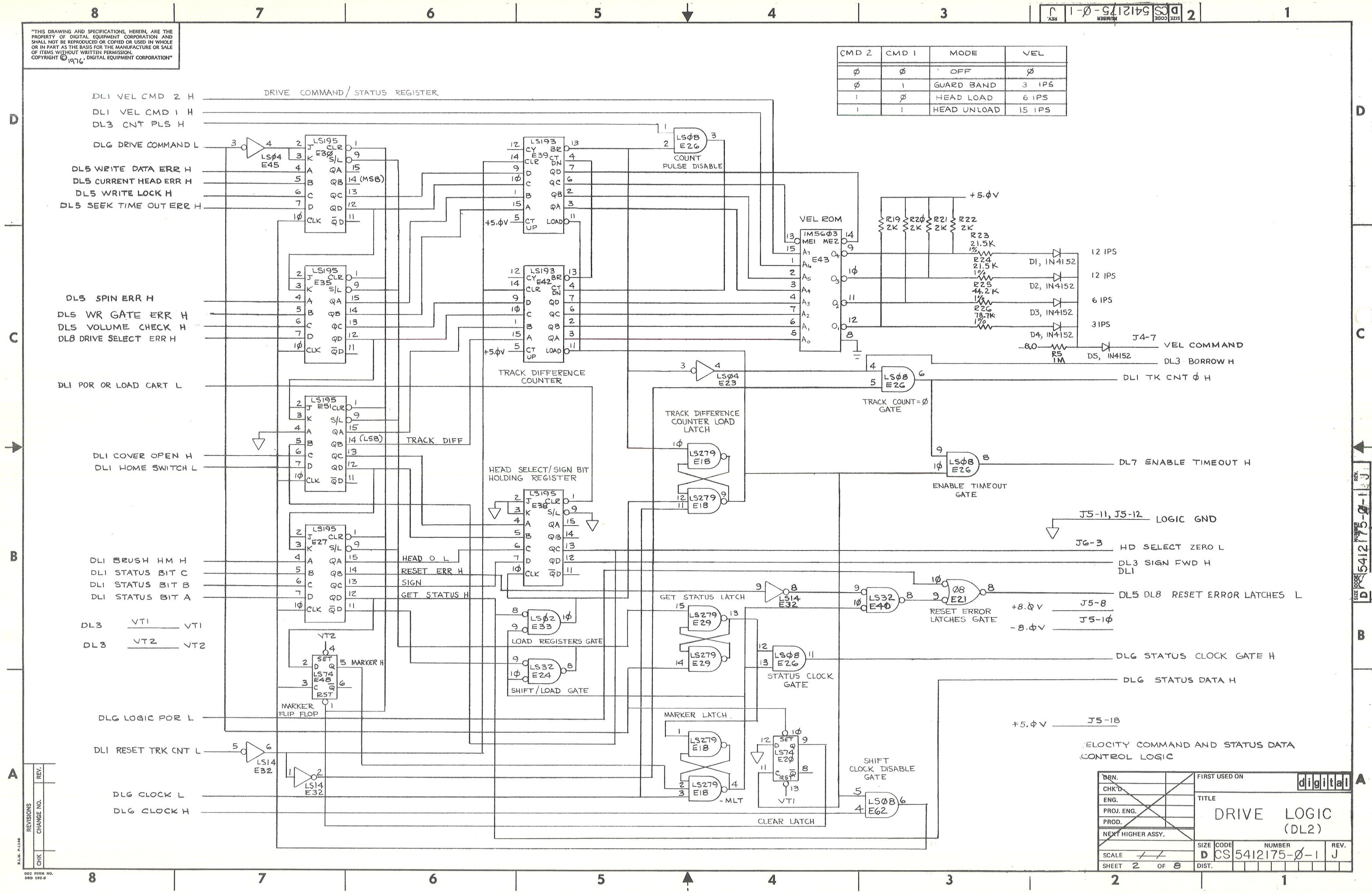


REV.	CHG.	NO.	DATE	BY	CHK'D	DATE	BY
1	RELEAS	1					
2	CHG	2					
3	CHG	3					
4	CHG	4					
5	CHG	5					
6	CHG	6					
7	CHG	7					
8	CHG	8					

DRN. MAYNARD DFE	4-76	FIRST USED ON	RL01
CHK'D	Burnell	2-24-77	
ENG.	R. Burnell	6-15-77	
PROJ. ENG.	6/17/77	TITLE	DRIVE LOGIC (STATE CONTROL LOGIC) (DL1)
PROD.	6/16/77	SIZE CODE	D CS 5412175-0-1
NEXT HIGHER ASSY.		NUMBER	REV. J
3-DD-5412175-0		DIST.	
SCALE	1 OF 8		

"THIS DRAWING AND SPECIFICATIONS, HEREIN, ARE THE PROPERTY OF DIGITAL EQUIPMENT CORPORATION AND SHALL NOT BE REPRODUCED OR COPIED OR USED IN WHOLE OR IN PART AS THE BASIS FOR THE MANUFACTURE OR SALE OF ITEMS WITHOUT WRITTEN PERMISSION. COPYRIGHT © 1976 DIGITAL EQUIPMENT CORPORATION"

CMD 2	CMD 1	MODE	VEL
∅	∅	OFF	∅
∅	1	GUARD BAND	3 IPS
1	∅	HEAD LOAD	6 IPS
1	1	HEAD UNLOAD	15 IPS

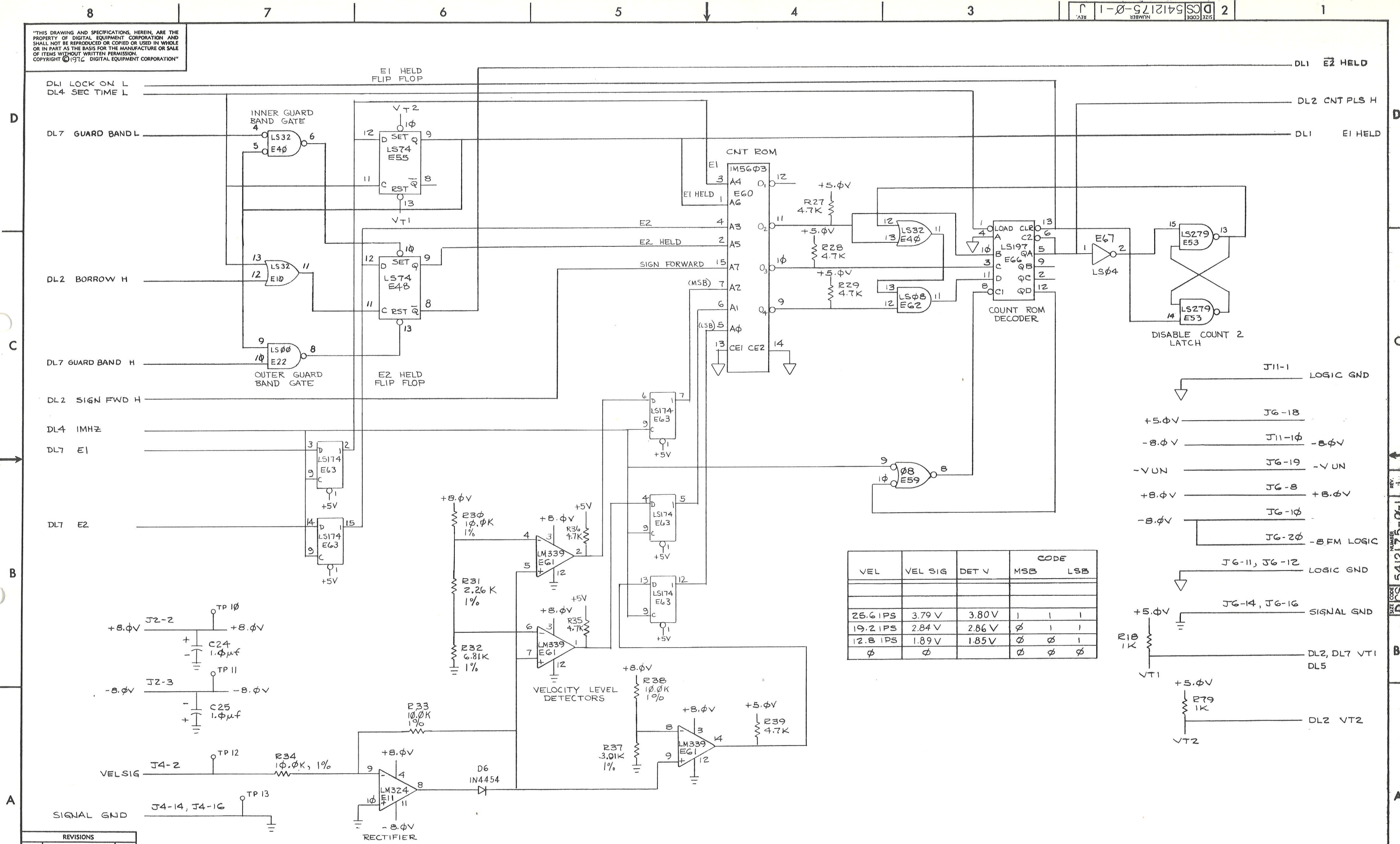


VELOCITY COMMAND AND STATUS DATA CONTROL LOGIC

DRN.	FIRST USED ON	digital	
CHK'D	TITLE	DRIVE LOGIC (DL2)	
ENG.	PROJ. ENG.	SIZE	NUMBER
PROD.	PROD.	D	CS 5412175-∅-1
NEXT HIGHER ASSY.	DIST.	2	OF 8
SCALE	REV.	J	

REV.	REV.
CHANGE NO.	
CHK	

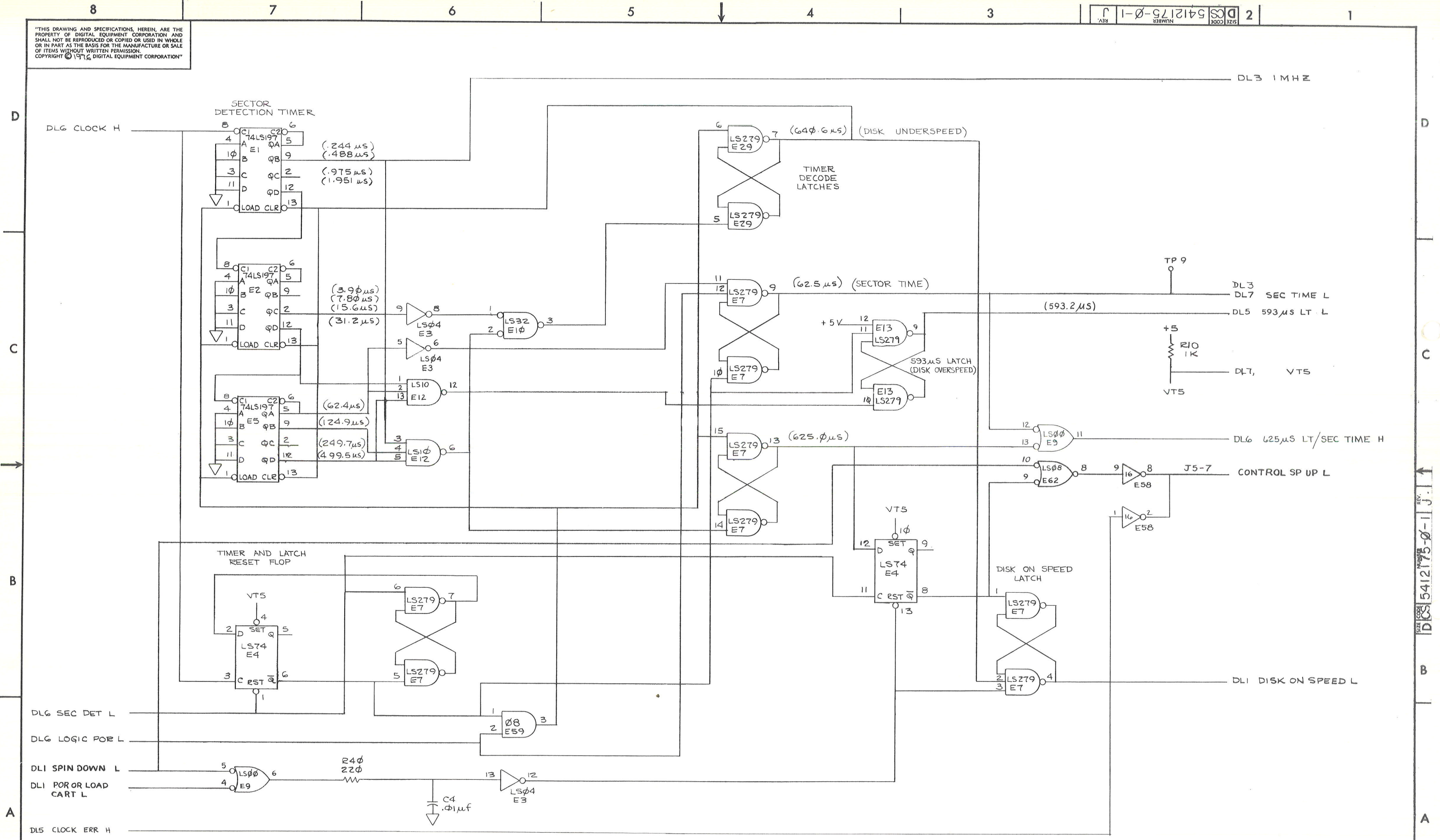
"THIS DRAWING AND SPECIFICATIONS, HEREIN, ARE THE PROPERTY OF DIGITAL EQUIPMENT CORPORATION AND SHALL NOT BE REPRODUCED OR COPIED OR USED IN WHOLE OR IN PART AS THE BASIS FOR THE MANUFACTURE OR SALE OF ITEMS WITHOUT WRITTEN PERMISSION. COPYRIGHT © 1974 DIGITAL EQUIPMENT CORPORATION"



VEL	VEL SIG	DET V	CODE	
			MSB	LSB
25.6 IPS	3.79 V	3.80 V	1	1
19.2 IPS	2.84 V	2.86 V	0	1
12.8 IPS	1.89 V	1.85 V	0	0
φ	φ	φ	φ	φ

REVISIONS		
CHK	CHANGE NO.	REV.

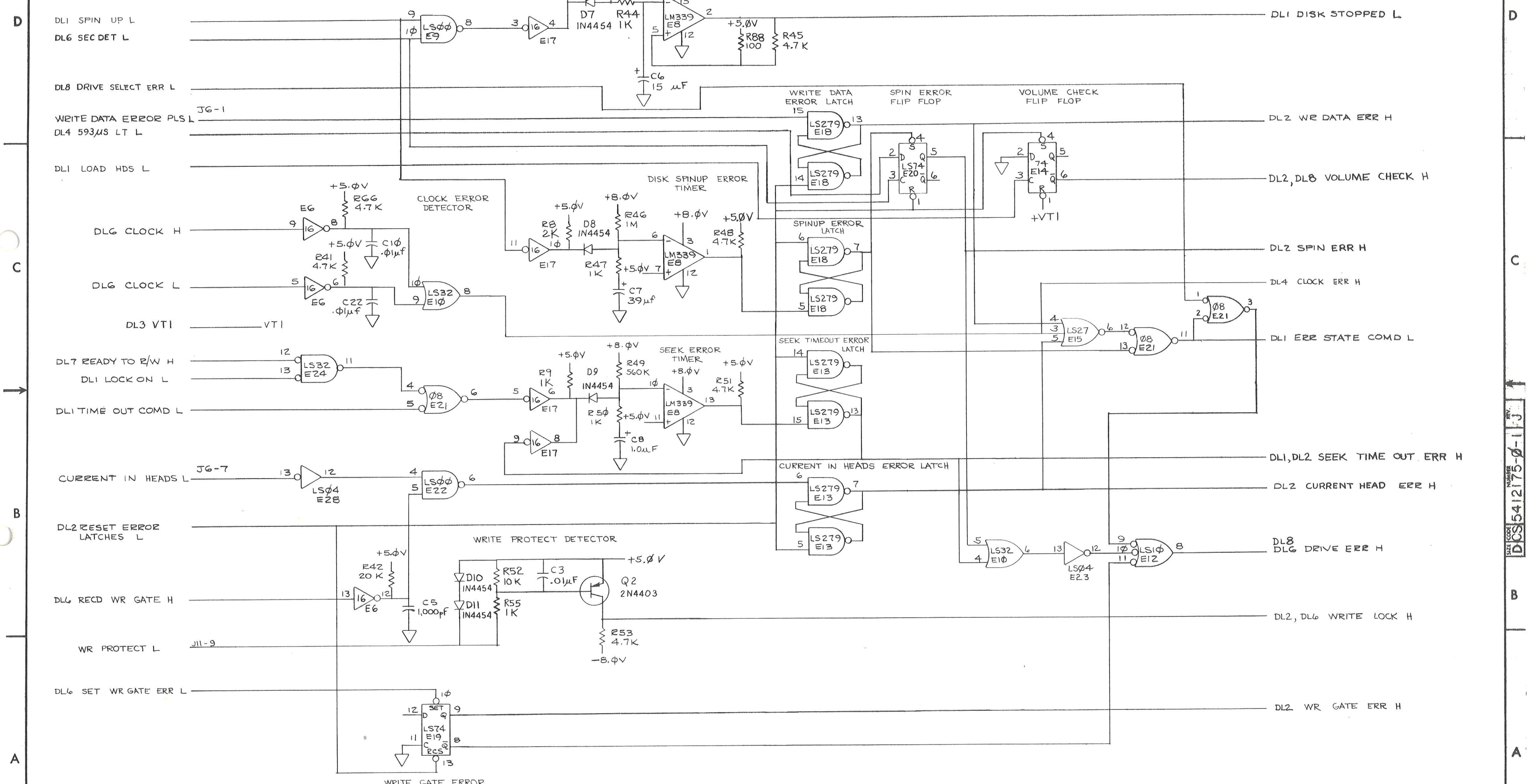
"THIS DRAWING AND SPECIFICATIONS, HEREIN, ARE THE PROPERTY OF DIGITAL EQUIPMENT CORPORATION AND SHALL NOT BE REPRODUCED OR COPIED OR USED IN WHOLE OR IN PART AS THE BASIS FOR THE MANUFACTURE OR SALE OF ITEMS WITHOUT WRITTEN PERMISSION. COPYRIGHT © 1976 DIGITAL EQUIPMENT CORPORATION"



REVISIONS		
CHK	CHANGE NO.	REV.

REV. J 5412175-0-1

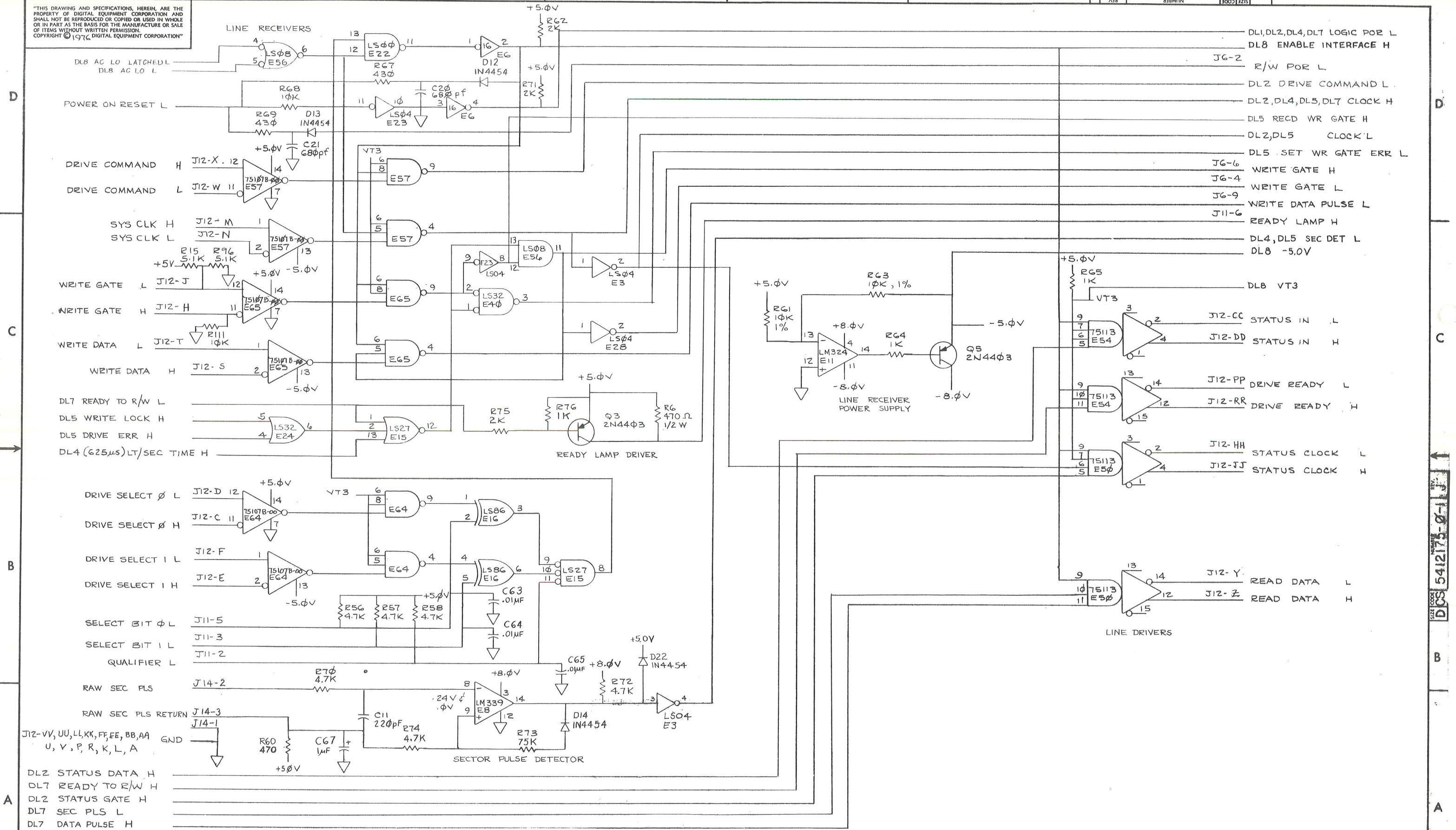
"THIS DRAWING AND SPECIFICATIONS, HEREIN, ARE THE PROPERTY OF DIGITAL EQUIPMENT CORPORATION AND SHALL NOT BE REPRODUCED OR COPIED OR USED IN WHOLE OR IN PART AS THE BASIS FOR THE MANUFACTURE OR SALE OF ITEMS WITHOUT WRITTEN PERMISSION. COPYRIGHT © 1976 DIGITAL EQUIPMENT CORPORATION"



REVISIONS		
CHK	CHANGE NO.	REV.

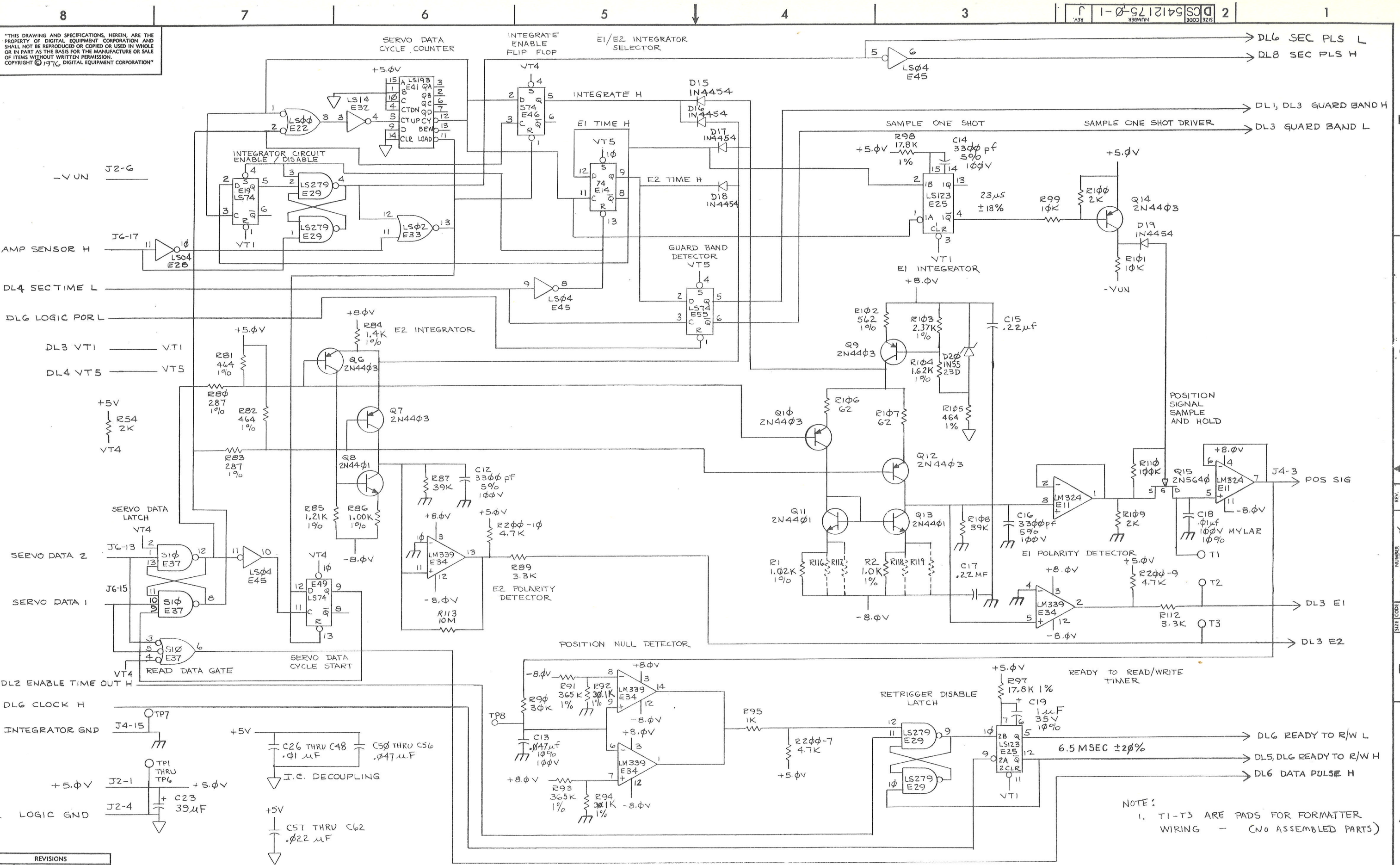
TITLE	DRIVE LOGIC (ERROR LOGIC) (DL5)	SIZE CODE	D CS	NUMBER	5412175-0-1	REV.	J
SCALE		SHEET	5	OF	8	DIST.	

"THIS DRAWING AND SPECIFICATIONS, HEREIN, ARE THE PROPERTY OF DIGITAL EQUIPMENT CORPORATION AND SHALL NOT BE REPRODUCED OR COPIED OR USED IN WHOLE OR IN PART AS THE BASIS FOR THE MANUFACTURE OR SALE OF ITEMS WITHOUT WRITTEN PERMISSION OF DIGITAL EQUIPMENT CORPORATION."



REVISIONS		
CHK	CHANGE NO.	REV.

"THIS DRAWING AND SPECIFICATIONS, HEREIN, ARE THE PROPERTY OF DIGITAL EQUIPMENT CORPORATION AND SHALL NOT BE REPRODUCED OR COPIED OR USED IN WHOLE OR IN PART AS THE BASIS FOR THE MANUFACTURE OR SALE OF ITEMS WITHOUT WRITTEN PERMISSION. COPYRIGHT © 1976, DIGITAL EQUIPMENT CORPORATION"

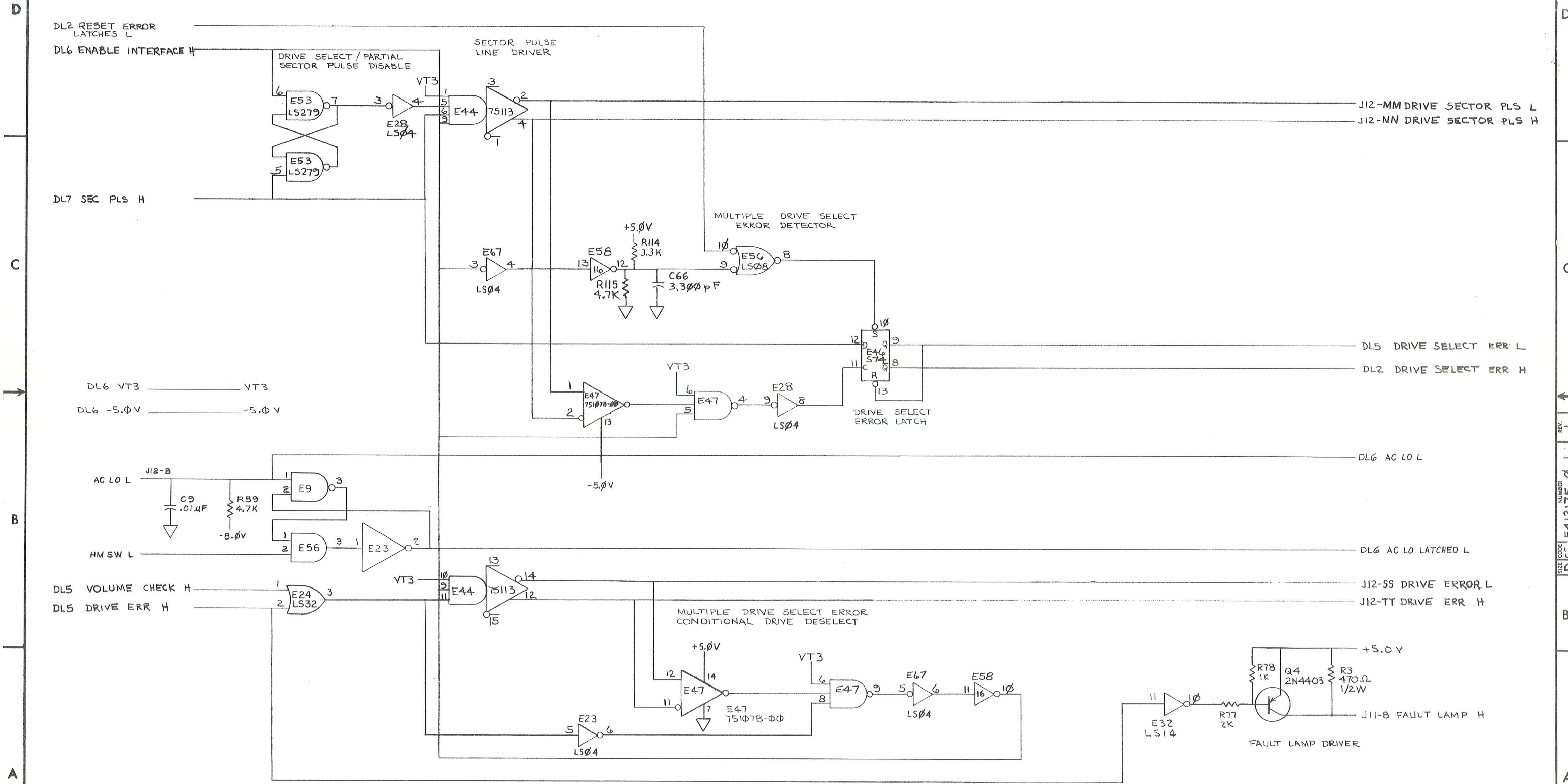


NOTE:
1. T1-T3 ARE PADS FOR FORMATTER WIRING - (NO ASSEMBLED PARTS)

REVISIONS		
CHK	CHANGE NO.	REV.

TITLE	DRIVE LOGIC (DL7) (INTEGRATOR LOGIC)	SIZE CODE	DCS 5412175-0-1	NUMBER	J	REV.	
SCALE		SHEET	7 OF 8	DIST.			

"THIS DRAWING AND SPECIFICATIONS, HEREIN, ARE THE PROPERTY OF DIGITAL EQUIPMENT CORPORATION AND SHALL NOT BE REPRODUCED OR COPIED OR USED IN WHOLE OR IN PART AS THE BASIS FOR THE MANUFACTURE OR SALE OF ITEMS WITHOUT WRITTEN PERMISSION. COPYRIGHT © 1976 DIGITAL EQUIPMENT CORPORATION"



REVISIONS		
CHK	CHANGE NO.	REV.

REV. J 5412175-0-1 DCS

DIGITAL EQUIPMENT CORPORATION

PARTS LIST

MADE BY	R. HILL
DATE	7 April 76
ENG	
DATE	
SECTION	ISSUED SECTION

ITEM NO.	DRAWING NO.	PART NO.	DESCRIPTION
1	D-MD-5011851-0-0	5011851	ETCHED BOARD
2		1012784-00	CAPACITOR .047 uF 50V CER AX
3		1001610-00	CAPACITOR .01 uF 50V CER AX
4		1000076-00	CAPACITOR 39 uF 10% 10V TANT
5		1012783-00	CAPACITOR .022 uF 50V CER AX
6		1010978-32	CAPACITOR .047 uF 10% 100V CER MONO
7		100481 -00	CAPACITOR 15 uF 10% 20V TANT
8			
9		1005784-00	CAPACITOR .01 uF 10% 100V MYLAR
10		1001776-00	CAPACITOR 1.00 uF 10% 35V TANT
11		1013466-11	CAPACITOR .22 uF 50V CER AX
12		1013466-09	CAPACITOR 1,000 PF 10% 50V CER AX
13		1013466-07	CAPACITOR 220 PF 5% 50V CER AX
14		1013466-10	CAPACITOR 3,300 PF 5% 50V CER AX
15		1013466-08	CAPACITOR 680 PF 10% 50V CER AX
16		1113953-00	DIODE 1N5523D
17		1111577-00	DIODE 1M4454
18		1209941-03	LATCH, CONNECTOR, LEFT
19		1209941-04	LATCH, CONNECTOR, RIGHT
20		1209941-05	CONNECTOR BERG 10 PIN
21		1209941-06	CONNECTOR BERG 20 PIN
22		1209941-02	CONNECTOR BERG 40 PIN
23		1213922-02	CONNECTOR MR 3 PIN HEADER
24		1213922-04	CONNECTOR MR 6 PIN HEADER
25		1300005-07	RESISTOR NETWORK 16 PIN 4.7K
26		1300229-00	RESISTOR 100 OHM 1/4W 5%
27		1300271-00	RESISTOR 220 OHM 1/4W 5%
28		1300316-00	RESISTOR 470 OHM 1/4W 5%

THIS DRAWING AND SPECIFICATIONS, HEREIN, ARE THE PROPERTY OF DIGITAL EQUIPMENT CORPORATION AND SHALL NOT BE REPRODUCED OR COPIED OR USED IN WHOLE OR IN PART AS THE BASIS FOR THE MANUFACTURE OR SALE OF ITEMS WITHOUT WRITTEN PERMISSION. COPYRIGHT © 1977 DIGITAL EQUIPMENT CORPORATION.
EN 01140A-16 R276(325) DRB 125

TITLE
DRIVE LOGIC

QUANTITY / VARIATION

QUANTITY / VARIATION	REF DESIGNATION
5412175-0-0	
1	C50, C51, C52, C53, C54, C55, C56
7	C1, C2, C3, C4, C9, C10, C22, C26 thru C49, C63, C64, C65
34	C7, C23
2	C57, C58, C59, C60, C61, C62
6	C13
1	C6
1	C18
1	C19, C24, C25, C67, C8
5	C15, C17
2	C5
1	C11
1	C12, C14, C16, C66
4	C20, C21
2	D20
1	D6 thru D19, D21, D22
16	(J4, J5, J6, J11)
4	(J4, J5, J6, J11)
1	J11
1	J4, J5, J6
3	J12
1	J14
1	J2
1	R200
1	R88
1	R11, R13, R14, R40
4	R60
1	

NOTES:
1. R116, R117, R118 and R119 are not on PL- value determined in testing.

SIZE CODE NUMBER
B PL 5412175-0-0

ASSY NO. D-UA-5412175-0-0
SHEET 1 OF 4

INSERTION PARTS LIST DATA BASE REV

DIGITAL EQUIPMENT CORPORATION

PARTS LIST

MADE BY	R. HILL
DATE	7 April 76
ENG	
DATE	
SECTION	ISSUED SECTION

ITEM NO.	DRAWING NO.	PART NO.	DESCRIPTION
29		1300365-00	RESISTOR 1K 1/4W 5%
30		1300439-00	RESISTOR 3.3K 1/4W 5%
31		1314041-00	RESISTOR 10K 1/4W 5%
32		1302676-00	RESISTOR 3.0 K 1/4W 1%
33		1311594-00	RESISTOR 30.1K 1/4W 1%
34		1304841-00	RESISTOR 75K 1/4W 5%
35		1302388-00	RESISTOR 2K 1/4W 5%
36		1302394-00	RESISTOR 30K 1/4W 5%
37		1302466-00	RESISTOR 100K 1/4W 5%
38		1302514-00	RESISTOR 39K 1/4W 5%
39		1312989-00	RESISTOR 17.8K 1/4W 1%
40		1303047-00	RESISTOR 464 OHM 1/4W 1%
41		1310632-00	RESISTOR 2.37K 1/4W 1%
42		1303312-00	RESISTOR 10.0K 1/4W 1%
43		1304693-00	RESISTOR 562 OHM 1/4W 1%
44		1305124-00	RESISTOR 287 OHM 1/4W 1%
45		1309595-00	RESISTOR 1M 1/4W 5%
46		1303155-00	RESISTOR 21.5K 1/4W 1%
47		1302871-00	RESISTOR 1.21 K 1/4W 1%
48		1314491-00	RESISTOR 1.02 K 1/4W 1%
49		1312929-00	RESISTOR 62 OHM 1/4W 5%
50		1312930-00	RESISTOR 5.1K 1/4W 5%
51		1304870-00	RESISTOR 6.81K 1/4W 1%
52		1305266-00	RESISTOR 365K 1/4W 1%
53		1313150-00	RESISTOR 430 OHM 1/4W 5%
54		1304862-00	RESISTOR 1.62K 1/4W 1%
55		1314119-00	RESISTOR 44.2K 1/4W 1%
56		1313846-00	RESISTOR 2.26K 1/4W 1%

QUANTITY / VARIATION

QUANTITY / VARIATION	REF DESIGNATION
5412175-0-0	
14	R9, R10, R16, R18, R44, R47, R50, R55, R64, R65, R76
3	R89, R112, R114
5	R52, R68, R99, R101, R111
1	R37
2	R92, R94
1	R73
14	R7, R8, R17, R19, R20, R21, R22, R54, R62, R71, R75
1	R90
1	R110
2	R87, R108
2	R97, R98
3	R81, R82, R105
1	R103
6	R30, R33, R34, R38, R61, R63
1	R102
2	R80, R83
2	R5, R43, R46
2	R23, R24
1	R85
1	R1
2	R106, R107
2	R15, R96
1	R32
2	R91, R93
2	R67, R69
1	R104
1	R25
1	R31

NOTES:

SIZE CODE NUMBER
B PL 5412175-0-0

ASSY NO. D-UA-5412175-0-0
SHEET 2 OF 4

INSERTION PARTS LIST DATA BASE REV

TITLE
DRIVE LOGIC

NOTES:

SIZE CODE NUMBER
B PL 5412175-0-0

ASSY NO. D-UA-5412175-0-0
SHEET 2 OF 4

INSERTION PARTS LIST DATA BASE REV

THIS DRAWING AND SPECIFICATIONS, HEREIN, ARE THE PROPERTY OF DIGITAL EQUIPMENT CORPORATION AND SHALL NOT BE REPRODUCED OR COPIED OR USED IN WHOLE OR IN PART AS THE BASIS FOR THE MANUFACTURE OR SALE OF ITEMS WITHOUT WRITTEN PERMISSION. COPYRIGHT © 1977 DIGITAL EQUIPMENT CORPORATION.
EN 01140A-16 R276(325) DRB 125

DIGITAL EQUIPMENT CORPORATION

PARTS LIST

MADE BY R. HILL
 DATE 7 April 76
 ENG
 CHECKED *Burnell*
 DATE 2-24-77
 SECTION
 ISSUED SECTION
 DATE

ITEM NO.	DRAWING NO.	PART NO.	DESCRIPTION
57		1314120-00	RESISTOR 78.7K 1/4W 1%
58		1300447-00	RESISTOR 4.7K 1/4W 5%
59		1302666-00	RESISTOR 10M 1/4W 5%
60		1313589-00	RESISTOR 1.40 K 1/4W 1%
61		1300315-00	RESISTOR 470 OHM 1/2W 5%
62		1513489-00	TRANSISTOR 2N4401
63		1513490-00	TRANSISTOR 2N4403
64		1513697-00	TRANSISTOR 2N5640
65		1913414-00	IC DEC LS14
66		1910155-00	IC DEC 7408
67		1909928-00	IC DEC 7416
68		1910268-00	IC DEC 75107B-00
69		1910536-00	IC DEC 74S10
70		1910544-00	IC DEC 74S74
71		1911341-00	IC DEC 75113
72		1912107-01	IC DEC LM324 AN
73		1912108-00	IC DEC 339
74		1912799-00	IC DEC LS00
75		1912801-00	IC DEC LS02
76		1912803-00	IC DEC LS04
77		1912805-00	IC DEC LS08
78		1912807-00	IC DEC LS10
79		1912813-00	IC DEC LS27
80		1912816-00	IC DEC LS32
81		1910046-00	IC DEC 7442
82		1905547-00	IC DEC 7474
83		1912824-00	IC DEC LS74
84		1912829-00	IC DEC LS86

E.C.O. NO.

THIS DRAWING AND SPECIFICATIONS, HEREIN, ARE THE PROPERTY OF DIGITAL EQUIPMENT CORPORATION AND SHALL NOT BE REPRODUCED OR COPIED OR USED IN WHOLE OR IN PART AS THE BASIS FOR THE MANUFACTURE OR SALE OF ITEMS WITHOUT WRITTEN PERMISSION. COPYRIGHT © 1977. DIGITAL EQUIPMENT CORPORATION.

EN 01140A-16-R276(325)

TITLE
 DRIVE LOGIC

ASSY NO.
 D-UA-5412175-0-0

SHEET 3 OF 4

SIZE CODE
 B PL

NUMBER
 5412175-0-0

REV.
 F

NOTES:

QUANTITY / VARIATION

QUANTITY	VARIATION
5412175-0-0	
1	
21	
1	
1	
1	
3	
3	
11	
1	
1	
2	
3	
4	
1	
1	
3	
1	
1	
3	
1	
1	
1	
6	
1	

REF DESIGNATION

R26
 R12, R27, R28, R29, R35, R36, R39, R41, R45, R48, R51, R53
 R56, R57, R58, R59, R66, R7C, R7Z, R74, R115
 R113
 R84
 R3, R4, R6
 Q8, Q11, Q13
 Q1, Q2, Q3, Q4, Q5, Q6, Q7, Q9, Q10, Q12, Q14
 Q15
 E32
 E59, E21
 E6, E17, E58
 E47, E57, E64, E65
 E37
 E46
 E44, E50, E54
 E11
 E8, E34, E61
 E9, E22
 E33
 E3, E23, E28, E45, F67
 E26, E56, E62
 E12
 E15
 E10, E24, E40
 E52
 E14
 E4, E19, E20, E48, E49, E55
 E16

DIGITAL EQUIPMENT CORPORATION

PARTS LIST

MADE BY R. HILL
 DATE 7 April 76
 ENG
 CHECKED *Burnell*
 DATE 2-24-77
 SECTION
 ISSUED SECTION
 DATE

ITEM NO.	DRAWING NO.	PART NO.	DESCRIPTION
85		1912837-00	IC DEC LS123
86		1912854-00	IC DEC LS193
87		1912855-00	IC DEC LS195
88		1912857-00	IC DEC LS197
89		1912864-00	IC DEC LS279
90		23445A2-00	ROM IM5603A (VELOCITY)
91		23371A2-00	ROM IM5603A (SEEK)
92		23368A2-00	ROM IM5603A (STATE)
93		23444A2-00	ROM IM5603A (COUNT)
94		1214813-00	SOCKET, (ROM) 16 PIN
95		9007791-00	TERMINAL, TURRET
96		1114117-00	DIODE 1N4152 (D035)
97		1303114-00	RESISTOR, 1.00 K 1/4W 1% mf
98		9105740-55	WIRE, 30 AWG
99		1912697-00	IC DEC LS174
100		1312992-00	RESISTOR, 560K, 1/4W, 5%, CC
101		1302391-00	RESISTOR, 20K, 1/4W, 5%, CC

E.C.O. NO.

THIS DRAWING AND SPECIFICATIONS, HEREIN, ARE THE PROPERTY OF DIGITAL EQUIPMENT CORPORATION AND SHALL NOT BE REPRODUCED OR COPIED OR USED IN WHOLE OR IN PART AS THE BASIS FOR THE MANUFACTURE OR SALE OF ITEMS WITHOUT WRITTEN PERMISSION. COPYRIGHT © 1977. DIGITAL EQUIPMENT CORPORATION.

EN 01140A-16-R276(325)

TITLE
 DRIVE LOGIC

ASSY NO.
 D-UA-5412175-0-0

SHEET 4 OF 4

SIZE CODE
 B PL

NUMBER
 5412175-0-0

REV.
 F

NOTES:

QUANTITY / VARIATION

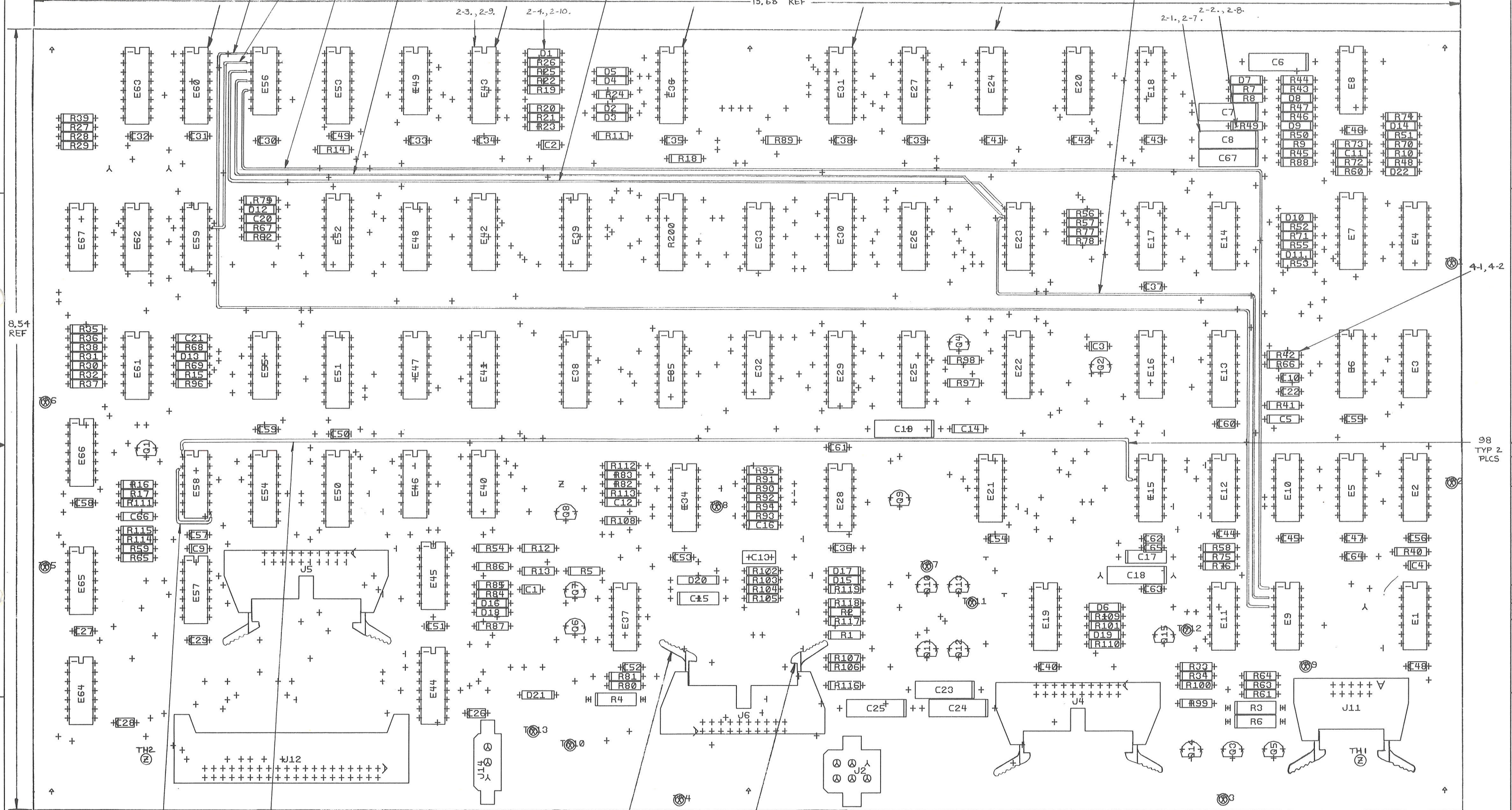
QUANTITY	VARIATION
5412175-0-0	
1	
3	
5	
4	
5	
1	
1	
1	
1	
4	
13	
5	
2	
AR	
1	
1	
1	

REF DESIGNATION

E25
 E39, E41, E42
 E27, E30, E35, E38, E51
 E1, E2, E5, E66
 E7, E13, E18, E29, E53
 E43
 E36
 E31
 E60
 (E31, E36, E43, E60)
 TP1 thru TP13
 D1, D2, D3, D4, D5
 R2, R86
 E63
 R49
 R42

THIS DRAWING AND SPECIFICATIONS, HEREIN, ARE THE PROPERTY OF DIGITAL EQUIPMENT CORPORATION AND SHALL NOT BE REPRODUCED OR COPIED IN WHOLE OR IN PART AS THE BASIS FOR THE MANUFACTURE OR SALE OF ITEMS WITHOUT WRITTEN PERMISSION.
 COPYRIGHT © 1977 DIGITAL EQUIPMENT CORPORATION

COMPONENT SIDE VIEW



NOTES:
 1. B HOLES .0465 (+.000--0045) MAYNARD ONLY

CHK	CHANGE NO	REV	DATE	BY	APP
B	RELEASED	C			
B	15-WAY EQUAL TO C2				
D	5412175-0001	D		P. BURNELL	
E	REICHENBERG			G. REICHENBERG	
F	5412175-0002			P. BURNELL	
F	REICHENBERG			G. REICHENBERG	
F	5412175-0004			M. ZARICH	
F	5412175-0004			G. REICHENBERG	
J	5412175-0005			M. ZARICH	

ETCH REV. D - P1
P.C. DESIGN DATA BASE REV. D

SIGNATURES		DATE	digital
DRN. <i>Shyllo Burnell</i>		7-19-77	
CHK'D. <i>S. Burnell</i>		7-19-77	TITLE DRIVE LOGIC
ENG.			
PROJ. ENG.			
SCALE 2:1		SIZE CODE	NUMBER D UA 5412175-0-0 J
SHT. 1 OF 4		REV	
NEXT HIGHER ASSY. B-DD-5412175-0			

98 TYP 2 PLCS

REV J D UA 5412175-0-0

